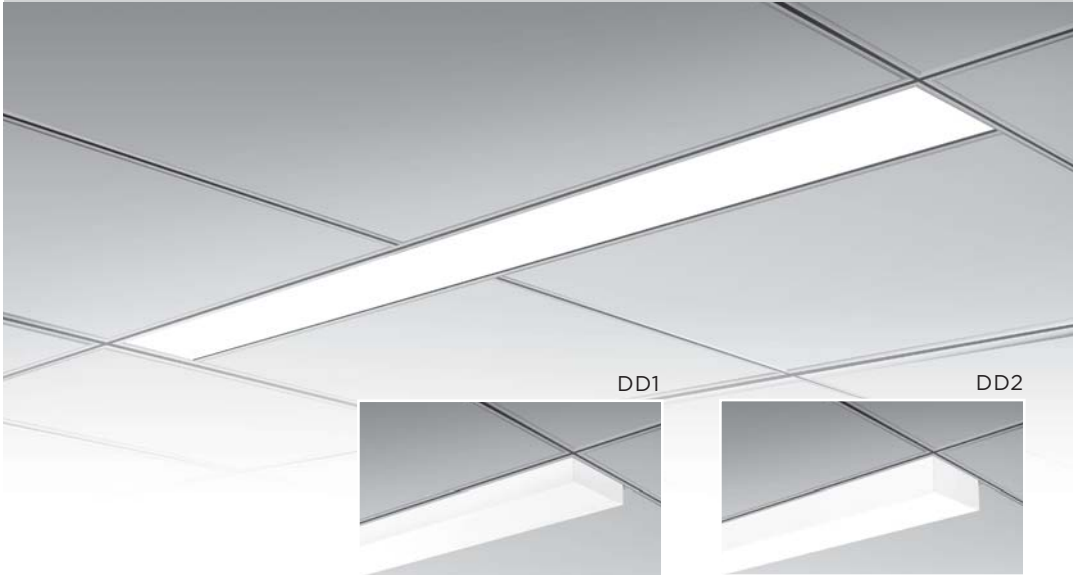


RECESSED LINIA

3G-4RLI
3.5" RECESSED
GRID & 4" TECHZONE

3G
LIGHTING



Pendant Linia



Surface Linia



Wall Linia

FEATURES

CONSTRUCTION

- Extruded aluminum housing with 3.5" aperture
- Individual units and continuous runs in 1' increments
- 24 gauge LED reflector with high reflectance white powder coated finish
- Extruded acrylic lens with a satin finish available in flush and unique drop lens options

ELECTRICAL

- Standard 120-277V, 0-10V dimmable driver with 100-1% dimming range
- 85% efficiency and 0.9 power factor
- Lutron driver options available with 100-1% dimming range
- eidoLED Dali driver available with 100-1% dimming range
- Emergency Battery: 90 minutes

LED SYSTEM

- Available in 27K, 30K, 35K, and 40K
- Average rated life of >50,000 hours
- Color consistency 3 SDCM
- CRI>80 for 27K, 30K, 35K, and 40K

LUMEN MAINTENANCE

- L70 at >50,000 hours

MOUNTING

- Compatible with 4" techzone ceilings
- Suitable for various grid ceilings (see mounting details)

FINISH

- Polyester powder coated matte white with 95% reflectance

LABELS

- ETL listed. Suitable for dry or damp locations

WARRANTY

- 5 Year limited warranty

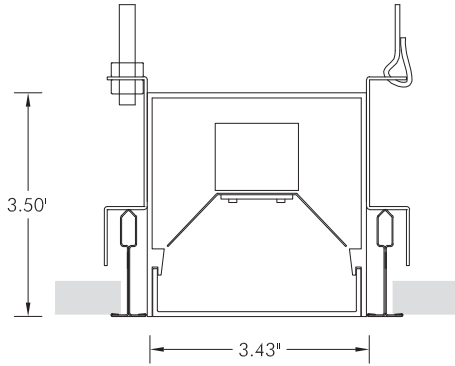
PROJECT

TYPE

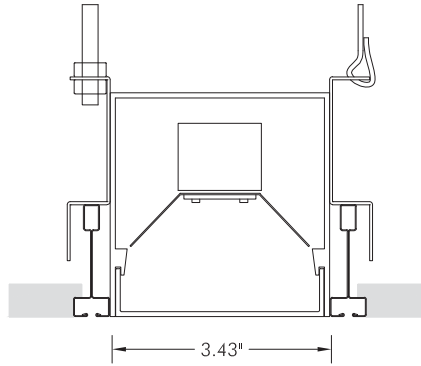
DATE

CATALOG #

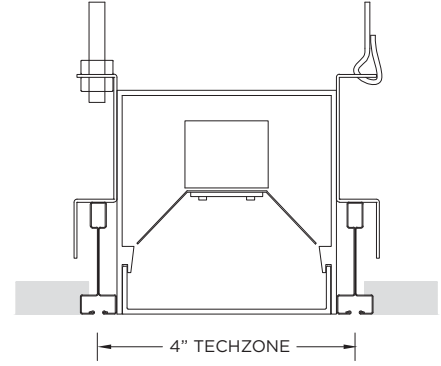
GC1 - 9/16 LAYIN



GC3 - 9/16 SLOT TEE TEGULAR



4" TECHZONE (9/16 ONLY)

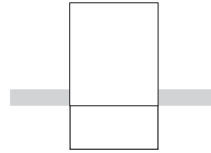
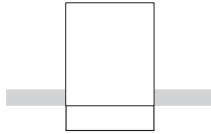
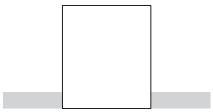


LENS OPTIONS

FL - FLUSH LENS

DD1 - 1" DROP LENS

DD2 - 2" DROP LENS



ORDERING INFORMATION

CAT. NO	LED SYSTEM	COLOR TEMP	VOLTAGE	DRIVER
3G-4RLI	L1 - LOW OUTPUT	27K - 2700K	120 - 120V	DIM - 0-10V (STANDARD 100-1%)
	L2 - STANDARD OUTPUT	30K - 3000K	277 - 277V	DHL - LUTRON (3-WIRE - 100-1%)
	L4 - HIGH OUTPUT	35K - 3500K	347 - 347V (0-10V ONLY)	DHL2 - LUTRON (ECOSYSTEM - 100-1%)
		40K - 4000K		DALI - DALI (100-1%)
3G-4RLI				

GRID TYPE	LENS OPTIONS	OPTIONS	LENGTH (FEET)
GC1 - 9/16 LAYIN GC1S - 9/16 TEGULAR GC1P - 9/16 TEGULAR GC2 - 15/16 LAYIN GC2S - 15/16 TEGULAR GC2P - 15/16 TEGULAR GC3 - 9/16 SLOT TEE TEGULAR	NOTE: For mounting details please refer to the chart on page 3. FL - FLUSH DD1 - 1" DROP LENS DD2 - 2" DROP LENS	EM - EMERGENCY BATTERY (4' SECTION) CP - CHICAGO PLENUM	S - ___' (STRAIGHT RUN)* L - ___' X ___' (L-SHAPE) U - ___' X ___' X ___' (U-SHAPE) R - ___' X ___' (RECTANGLE/SQUARE) *Individual units available in 3', 4', 5', or 8'. Continuous runs available in 1' increments.

ORDERING EXAMPLE	3G-4RLI-L2-30K-120-DIM-GC1-FL-S-8'
------------------	---

RECESSED LINIA

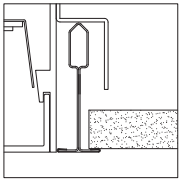
3G-4RLI
3.5" RECESSED
 GRID



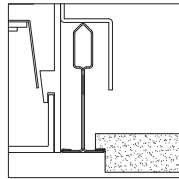
PERFORMANCE CHART (Based on 3500K, 4' length)

LENS OPTIONS	LED SYSTEM	WATTAGE/FT	LUMENS/FT	EFFICACY (LM/W)	IES FILES
FLUSH	L1 - LOW OUTPUT	3.5W	336	96	DOWNLOAD
	L2 - STANDARD OUTPUT	5.25W	517	98	DOWNLOAD
	L4 - HIGH OUTPUT	8.75W	888	101	DOWNLOAD
1" DROP	L1 - LOW OUTPUT	3.5W	351	100	DOWNLOAD
	L2 - STANDARD OUTPUT	5.25W	541	103	DOWNLOAD
	L4 - HIGH OUTPUT	8.75W	930	106	DOWNLOAD
2" DROP	L1 - LOW OUTPUT	3.5W	345	99	DOWNLOAD
	L2 - STANDARD OUTPUT	5.25W	531	101	DOWNLOAD
	L4 - HIGH OUTPUT	8.75W	913	104	DOWNLOAD

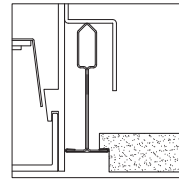
MOUNTING



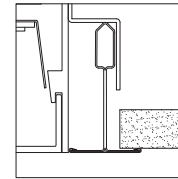
GC1 - 9/16" LAYIN



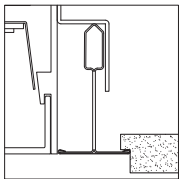
GC1S - 9/16" TEGULAR



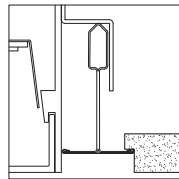
GC1P - 9/16" TEGULAR



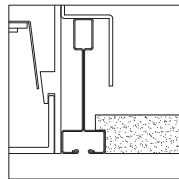
GC2 - 15/16" LAYIN



GC2S - 15/16" TEGULAR



GC2P - 15/16" TEGULAR



GC3 - 9/16" SLOT TEE TEGULAR

RUN CHART (Begin measurements at start of run, in a clockwise direction)

STRAIGHT (S-___')

ORDERING EXAMPLE:

3G-4RLI-L2-30K-120-DIM-GC1-FL-S-8'

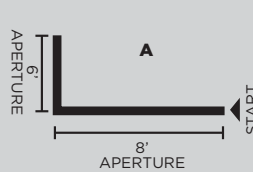


L SHAPE (L-___' x ___')

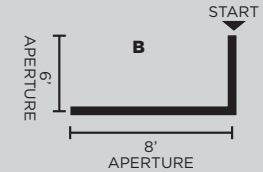
ORDERING EXAMPLE:

A - 3G-4RLI-L2-30K-120-DIM-GC1-FL-L-8'x6'

B - 3G-4RLI-L2-30K-120-DIM-GC1-FL-L-6'x8'



OR

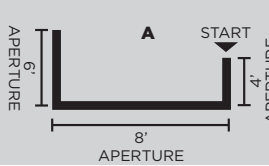


U SHAPE (U-___' x ___' x ___')

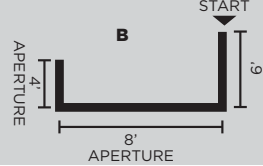
ORDERING EXAMPLE

A - 3G-4RLI-L2-30K-120-DIM-GC1-FL-U-4'x8'x6'

B - 3G-4RLI-L2-30K-120-DIM-GC1-FL-U-6'x8'x4'



OR



RECTANGLE/SQUARE (R-___' x ___')

ORDERING EXAMPLE:

3G-4RLI-L2-30K-120-DIM-GC1-FL-R-8'x6'

