

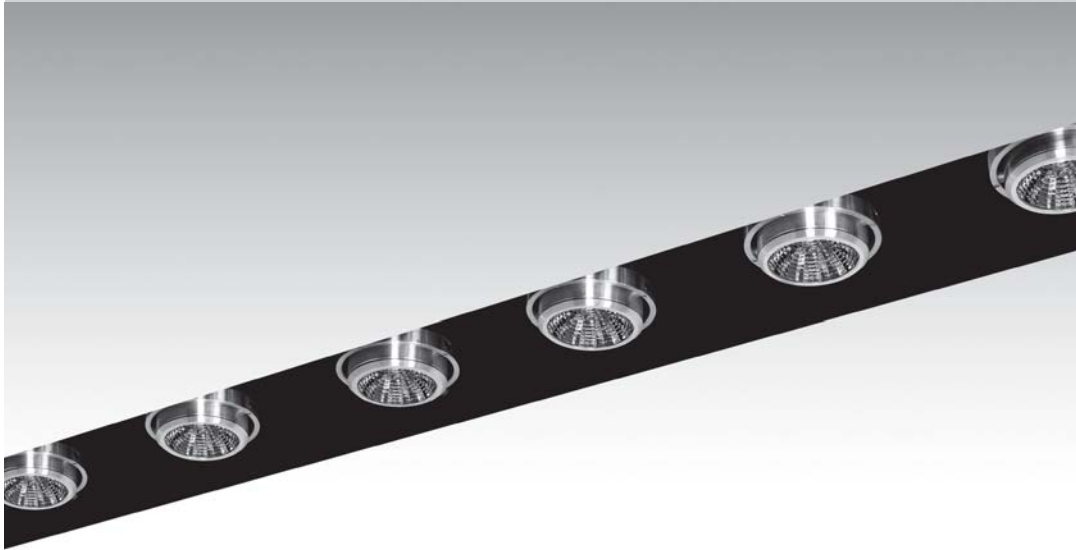
RECESSED CONTINUOUS SLOTS

3G-CS16

CONTINUOUS SLOTS

TRIM, TRIMLESS & FLANGELESS - MR16

3G
LIGHTING



Trim



Trimless



Surface Madison



Pendant Informa

FEATURES

CONSTRUCTION

- Housing constructed in cold rolled steel and extruded aluminum
- Designed for continuous runs in linear, right angle, square, and rectangular configurations
- Solid aluminum, adjustable double gimbals
- Individual heads can slide 12" left or right within the channel. Easily adjusted in the field
- Trimless model features an aluminum mudding flange
- Trim model features an 5/8" trim flange

ELECTRICAL

- Standard 120 electronic transformers suitable for halogen and LED retrofit lamps
- 277V electronic transformers available
- Individual sections can be wired independently

MOUNTING

- New construction housings suspended via 1/4" threaded rod or suspension cables
- Suitable for drywall, wood, concrete, and metal pan ceilings

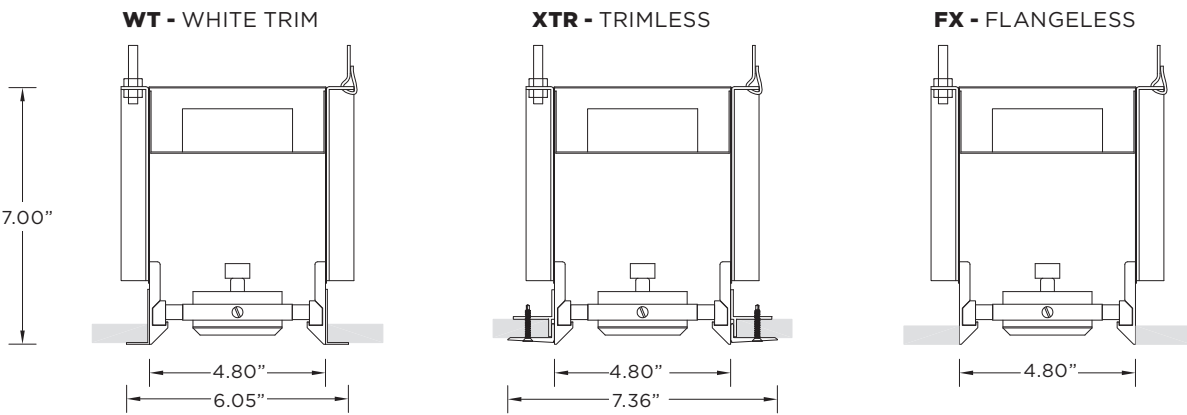
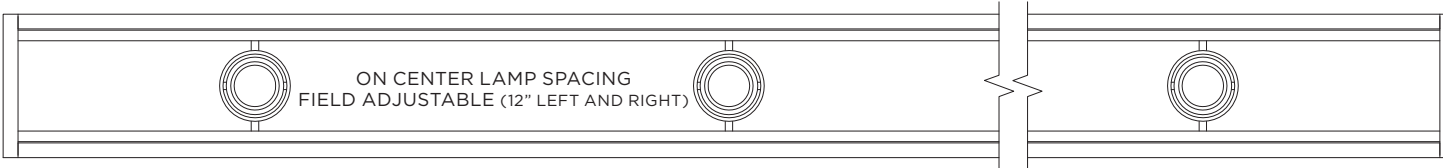
LABELS

- ETL listed. Suitable for dry or damp locations

WARRANTY

- 5 Year limited warranty

PROJECT	TYPE	DATE
CATALOG #		



ORDERING INFORMATION

CAT. NO	WATTAGE	VOLTAGE	FLANGE TYPE	GIMBAL FINISH	HOUSING INTERIOR
3G-CS16	50W - 50W MR16	120 - 120V	XTR - TRIMLESS	NG - NATURAL ALUMINUM (STANDARD)	BK - BLACK (STANDARD)
	16LED - MR16 LED RETROFIT (COMPATIBLE WITH SORAA)	277 - 277V	WT - WHITE TRIM FX - FLANGELESS	BG - BLACK GIMBAL WG - WHITE GIMBAL	WH - WHITE
3G-CS16					

OPTICAL ACCESSORIES	LENGTH (FEET)	LAMP SPACING
2C - 2 CIRCUIT	S - ___' (STRAIGHT RUN)	12 - 12" ON CENTER
CP - CHICAGO PLENUM	L - ___' X ___' (L-SHAPE)	18 - 18" ON CENTER
SF16 - SOFTENING	U - ___' X ___' X ___' (U-SHAPE)	24 - 24" ON CENTER
PM16 - PRISMATIC	R - ___' X ___' (RECTANGLE/SQUARE)	CUS - CUSTOM (SPECIFY NUMBER OF FIXTURE HEADS)
HXB16 - BLACK HEXCELL		
STN - PRISMATIC		

Maximum 3 optical accessories. See optical accessories page for more options. Available in 6" increments. See reference page

ORDERING EXAMPLE: **3G-CS16-50W-120-XTR-NG-BK-2C-S-8'-12**

RECESSED CONTINUOUS SLOTS

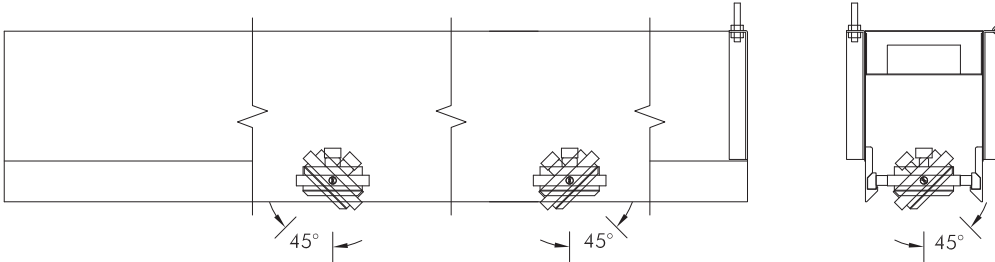
3G-CS16

CONTINUOUS SLOTS

TRIM, TRIMLESS & FLANGELESS - MR16

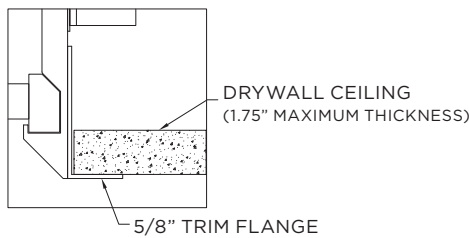


GIMBAL ADJUSTABILITY

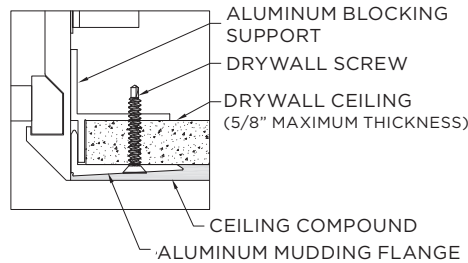


MOUNTING

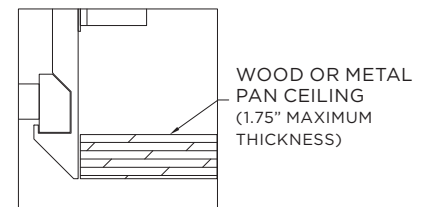
WT - WHITE TRIM



XTR - TRIMLESS



FX - FLANGELESS



RUN CHART (Begin measurements at start of run, in a clockwise direction)	
<p>STRAIGHT (S-___')</p> <p>ORDERING EXAMPLE:</p> <p>3G-CS16-50W-120-XTR-NG-BK-2C-S-8'-12</p>	
<p>L SHAPE (L-___' x ___')</p> <p>ORDERING EXAMPLE:</p> <p>A - 3G-CS16-50W-120-XTR-NG-BK-2C-L-8'X6'-12</p> <p>B - 3G-CS16-50W-120-XTR-NG-BK-2C-L-6'X8'-12</p>	
<p>ORDERING EXAMPLE:</p> <p>U SHAPE (U-___' x ___' x ___')</p> <p>A - 3G-CS16-50W-120-XTR-NG-BK-2C-U-4'X8'X6'-12</p> <p>B - 3G-CS16-50W-120-XTR-NG-BK-2C-U-6'X8'X4'-12</p>	
<p>RECTANGLE (R-___' x ___')</p> <p>ORDERING EXAMPLE:</p> <p>A - 3G-CS16-50W-120-XTR-NG-BK-2C-R-8'X6'-12</p>	

RECESSED CONTINUOUS SLOTS

3G-CS16
CONTINUOUS SLOTS
GRID - MR16

3G
LIGHTING



Trim



Trimless



Surface Madison



Pendant Informa

FEATURES

CONSTRUCTION

- Housing constructed in cold rolled steel and extruded aluminum
- Designed for continuous runs in linear, right angle, square, and rectangular configurations
- Solid aluminum, adjustable double gimbals
- Individual heads can slide 12" left or right within the channel. Easily adjusted in the field

ELECTRICAL

- Standard 120 electronic transformers suitable for halogen and LED retrofit lamps
- 277V electronic transformers available
- Individual sections can be wired independently

MOUNTING

- New construction housings suspended via 1/4" threaded rod or suspension cables
- Suitable for various grid ceilings (see mounting details)

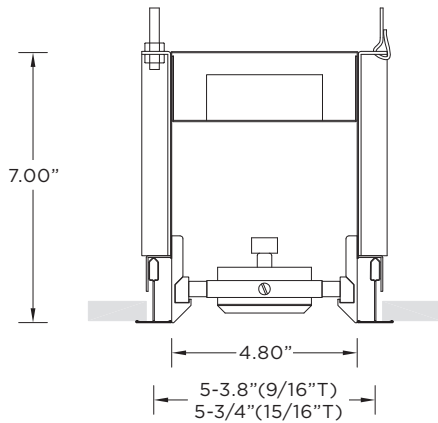
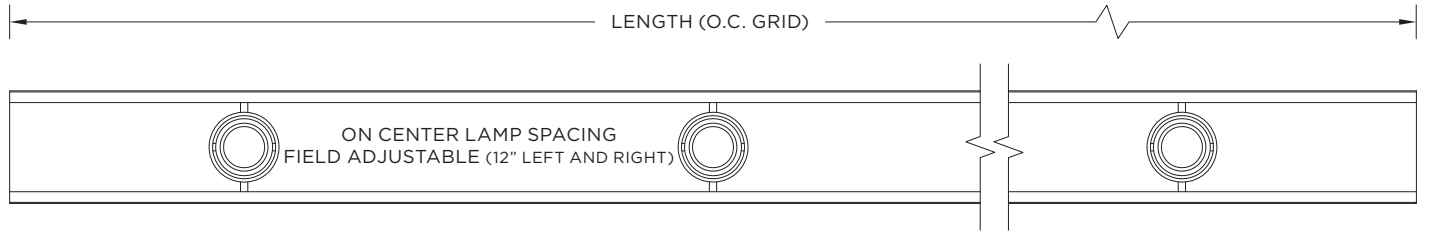
LABELS

- ETL listed. Suitable for dry or damp locations

WARRANTY

- 5 Year limited warranty

PROJECT	TYPE	DATE
CATALOG #		



ORDERING INFORMATION

CAT. NO	WATTAGE	VOLTAGE	FLANGE TYPE	GIMBAL FINISH	HOUSING INTERIOR
3G-CS16	50W - 50W MR16	120 - 120V	GC1 - 9/16" LAYIN	NG - NATURAL ALUMINUM (STANDARD)	BK - BLACK (STANDARD) WH - WHITE
	16LED - MR16 LED RETROFIT (COMPATIBLE WITH SORAA)	277 - 277V	GC1S - 9/16" TEGULAR	BG - BLACK GIMBAL	
			GC2 - 15/16" LAYIN	WG - WHITE GIMBAL	
			GC2S - 15/16" TEGULAR		
			GC3 - 9/16" SLOT TEE		
3G-CS16					

OPTICAL ACCESSORIES	LENGTH (FEET)	LAMP SPACING
2C - 2 CIRCUIT	S - ___' (STRAIGHT RUN)	12 - 12" ON CENTER
CP - CHICAGO PLENUM	L - ___' X ___' (L-SHAPE)	18 - 18" ON CENTER
SF16 - SOFTENING	U - ___' X ___' X ___' (U-SHAPE)	24 - 24" ON CENTER
LS16 - LINEAR SPREAD	R - ___' X ___' (RECTANGLE/SQUARE)	CUS - CUSTOM (SPECIFY NUMBER OF FIXTURE HEADS)
PM16 - PRISMATIC		
HXB16 - BLACK HEXCELL		

Maximum 3 optical accessories. See optical accessories page for more options. Available in 6" increments. See reference page

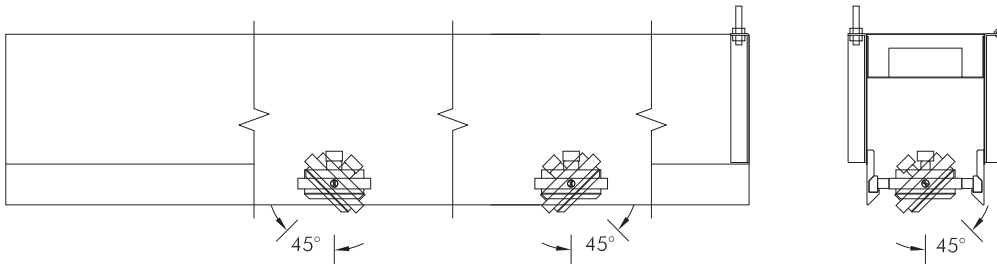
ORDERING EXAMPLE: **3G-CS16-50W-120-GC1-NG-BK-2C-S-8'-12**

RECESSED CONTINUOUS SLOTS

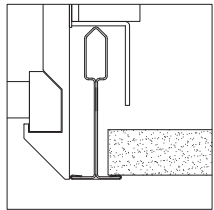
3G-CS16
CONTINUOUS SLOTS
 GRID - MR16



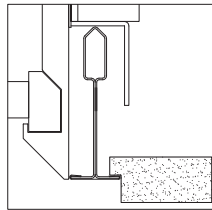
GIMBAL ADJUSTABILITY



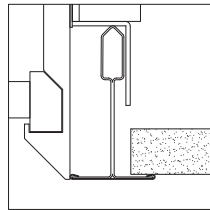
MOUNTING



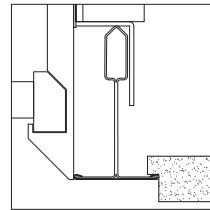
GC1 - 9/16" LAYIN



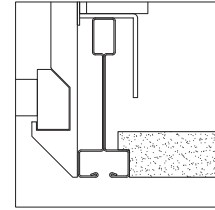
GC1S - 9/16" TEGULAR



GC2 - 15/16" LAYIN



GC2S - 15/16" TEGULAR



GC3 - 9/16" SLOT TEE TEGULAR
6TZ - 6" TECHZONE

RUN CHART (Begin measurements at start of run, in a clockwise direction)

STRAIGHT (S-___')

ORDERING EXAMPLE:

3G-CS16-50W-120-GC1-NG-BK-2C-S-8'-12

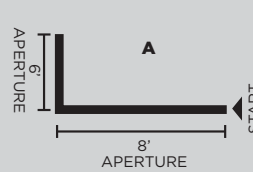


L SHAPE (L-___' x ___')

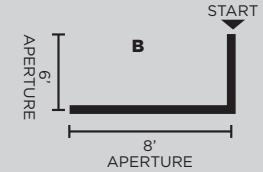
ORDERING EXAMPLE:

A - 3G-CS16-50W-120-GC1-NG-BK-2C-L-8'X6'-12

B - 3G-CS16-50W-120-GC1-NG-BK-2C-L-6'X8'-12



OR

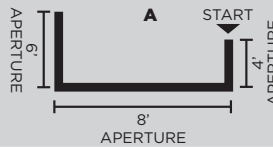


ORDERING EXAMPLE:

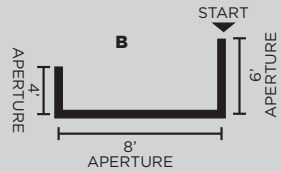
U SHAPE (U-___' x ___' x ___')

A - 3G-CS16-50W-120-GC1-NG-BK-2C-U-4'X8'X6'-12

B - 3G-CS16-50W-120-GC1-NG-BK-2C-U-6'X8'X4'-12



OR



RECTANGLE (R-___' x ___')

ORDERING EXAMPLE:

A - 3G-CS16-50W-120-GC1-NG-BK-2C-R-8'X6'-12

