

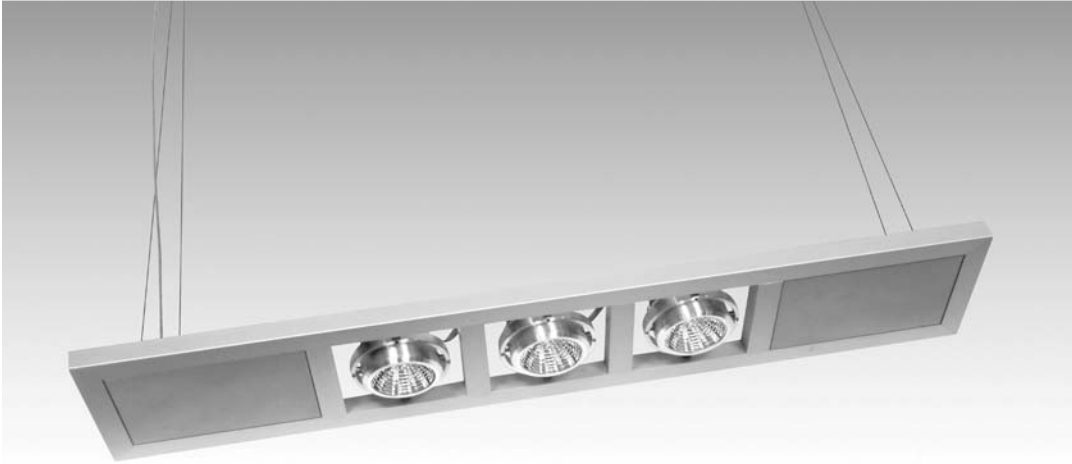
PENDANT INFORMA

3G-IN16 PENDANT

1, 2, 3 AND 4 LIGHT - MR16

3G

LIGHTING



Trim



Trimless



Wall informa



Surface Madison

FEATURES

CONSTRUCTION

- Extruded aluminum frame. Standard clear etched anodized finish
- Electrical enclosures fabricated in steel. Standard matte silver powder coated finish
- Solid aluminum, adjustable double gimbals
- Modified and custom configurations available

ELECTRICAL

- Standard 120V electronic transformers suitable for halogen and LED retrofit lamps
- 277V electronic transformers available
- Wattage restriction label is standard

MOUNTING

- Aircraft cable suspension with adjustable locking fasteners
- Suitable for various ceiling applications (see mounting details)

LABELS

- ETL listed. Suitable for dry or damp locations

WARRANTY

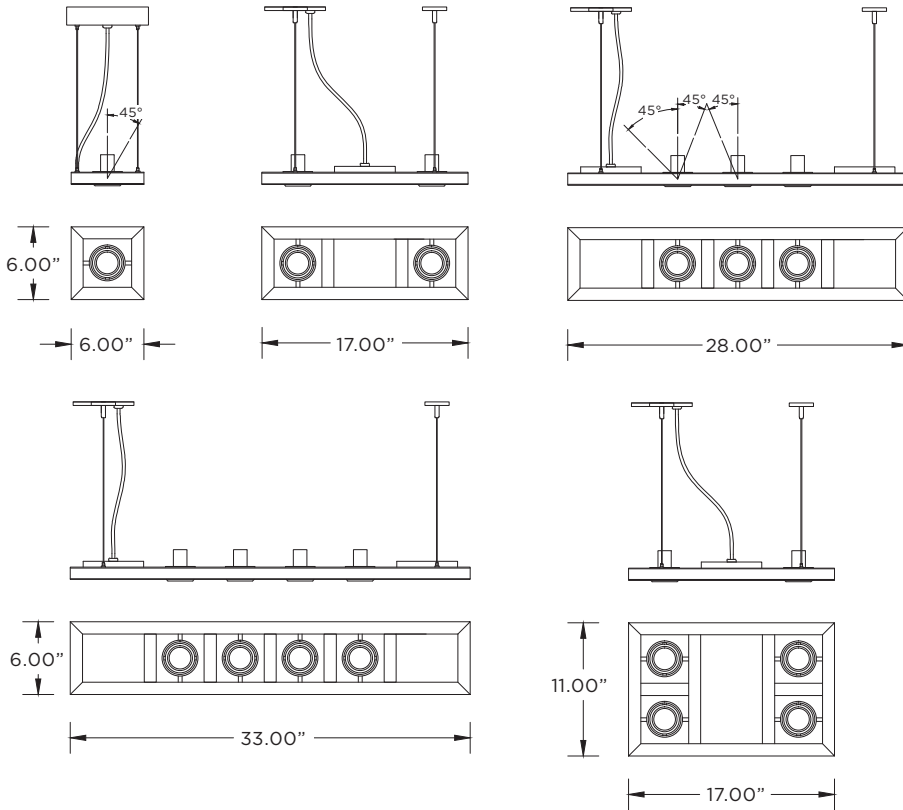
- 5 Year limited warranty

PROJECT

TYPE

DATE

CATALOG #



CEILING COUPLING MOUNTING LOCATION	
1 LIGHT	ON CANOPY
2 LIGHT	11.50"x5.00"
3 LIGHT	22.50"x5.00"
4 LIGHT	27.50"x5.00"
2X2 LIGHT	11.50"x10.00"

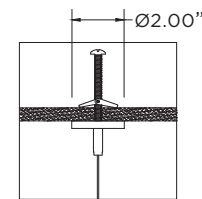
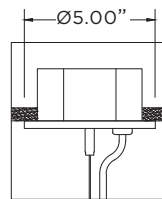
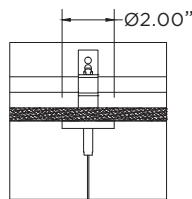
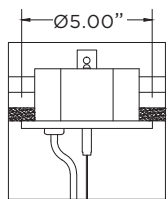
MOUNTING

GRID POWER FEED

GRID NON POWER FEED

DRYWALL POWER FEED

DRYWALL NON POWER FEED



ORDERING INFORMATION

CAT. NO	NUMBER OF LAMPS	LAMP SOURCE	WATTAGE	VOLTAGE	GIMBAL FINISH	FRAME FINISH	CABLE LENGTH	OPTIONS
3G-IN	1	- 1 LIGHT	50W - 50W MR16	120 - 120V 277 - 277V	NG - NATURAL (STANDARD) BG - BLACK	AN - ANODIZED (STANDARD) BK - BLACK ANODIZED CF - CUSTOM	60 - 60" (STANDARD) 120 - 120"	2C - 2 CIRCUIT SF16 - SOFTENING LENS LS16 - LINEAR SPREAD HXB16 - BLACK HEXCELL LOUVER
	2	- 2 LIGHT						
	3	- 3 LIGHT						
	4	- 4 LIGHT						
	22	- 4 LIGHT SQUARE						
		16 - MR16	16LED - MR16 LED RETROFIT (COMPATIBLE WITH SORAA)					Maximum 3 optical accessories. See optical accessories page for more options

3G-IN

ORDERING EXAMPLE

3G-IN116-50W-120-NG-AN-60

Copyright 2016 3G Lighting.
P: 905-850-2305 F: 905-851-6490 | TF: 888-448-0440
3G reserves the right to change, without notice, specifications or materials for product improvement.

