

RECESSED ROUND

3G-RC116RD
4" RECESSED
TRIMLESS - MR16



3G
LIGHTING



With Trim



Recessed Madison



Continuous Slots



Pendant Informa

FEATURES

CONSTRUCTION

- Housing fabricated in cold rolled steel. Black powder coated finish
- Integral blocking support ensures fixtures is properly secured into the ceiling structure
- Perforated mudding plate
- Maximum ceiling thickness of 1". Consult factory for modifications
- Solid aluminum, adjustable double gimbal

ELECTRICAL

- Standard 120V electronic transformers suitable for halogen and LED retrofit lamps
- 277V electronic transformers available
- Removable trim assembly allows for easy access to transformer for maintenance
- Wattage restriction label is standard

MOUNTING

- New construction housing suitable for drywall
- Butterfly brackets compatible with 1/2" x 1/2" channel, 1/2", 5/8", 3/4" bar hangers, 1/2" EMT, and furring strips (supplied by others)

LABELS

- ETL listed. Suitable for dry or damp locations

WARRANTY

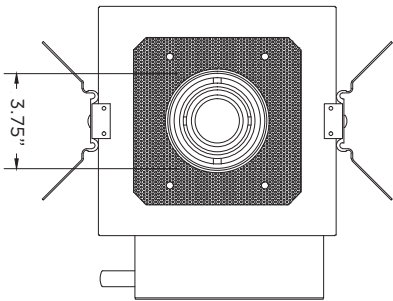
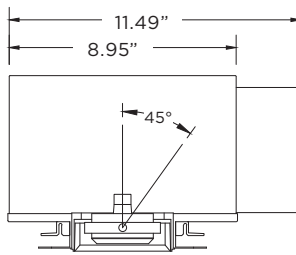
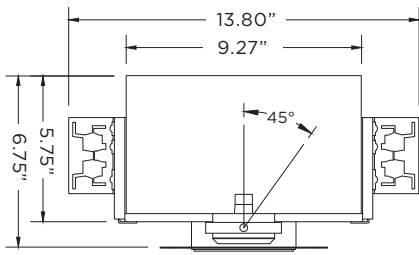
- 5 Year limited warranty

PROJECT

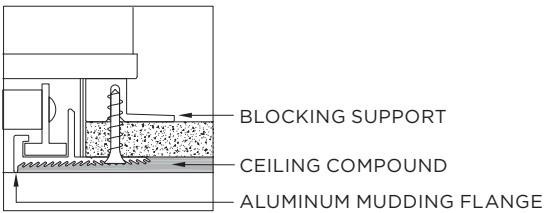
TYPE

DATE

CATALOG #



MOUNTING



ORDERING INFORMATION

CAT. NO	WATTAGE	VOLTAGE	TRIMLESS	GIMBAL FINISH	HOUSING INTERIOR	OPTIONS
3G-RC116RD	50W - 50W MR16	120 - 120V	XTR - TRIMLESS	NG - NATURAL ALUMINUM (STANDARD) BG - BLACK WG - WHITE	BK - BLACK	CP - CHICAGO PLENUM
	16LED - MR16 LED RETROFIT (COMPATIBLE WITH SORAA)	277 - 277V				BH - BAR HANGERS SF16 - SOFTENING LENS LS16 - LINEAR SPREAD HXB16 - BLACK HEXELL LOUVER
Maximum 3 optical accessories. See optical accessories page for more options						

3G-RC116RD						
-------------------	--	--	--	--	--	--

ORDERING EXAMPLE: **3G-RC116RD-50W-120-XTR-NG-BK**