

PROJECT	TYPE	DATE
CATALOG #		

3G-RC2111XTR
2 LIGHT TRIMLESS
LOW VOLTAGE AR111

CONSTRUCTION

- New construction housing and electrical enclosure constructed in cold rolled steel
- Aluminum mudding flange features a unique 1/2" inner reveal that emulates drywall to create a perfect looking cut-out every time
- Integral aluminum blocking support ensures fixture is properly secured into the ceiling structure
- Gimbal rail assemblies snap into place without the use of tools
- Housing design includes discrete ventilation slots for cooler fixture operation
- A ceiling thickness of 1/2" to 1" can be accommodated. Modified for thicker ceilings upon request
- Modified configurations available upon request

LAMP ASSEMBLY

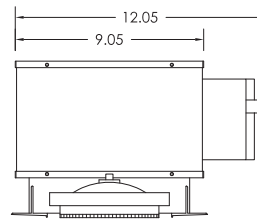
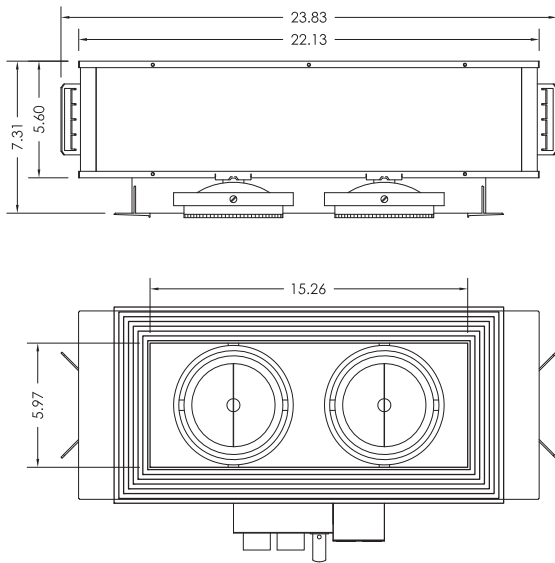
- Lamps mount into solid aluminum adjustable double gimbals
- 45° x 45° lamp adjustment does not require the use of tools
- Can accept up to 3 optical accessories for AR111
- Lamp position within the housing can be modified upon request

ELECTRICAL

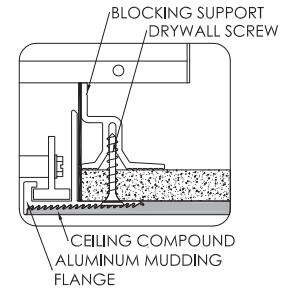
- Integral electronic transformers
- Electrical enclosures conveniently mount into the side of the housing via 2 thumb screws
- Removable snap-in gimbal assembly allows for access to transformers for easy maintenance
- Transformers are dimmable and multiple circuits available
- Wattage restriction labels are standard
- Fixtures are thermally protected and rated for through branch wiring

MOUNTING

- Suitable for drywall ceilings
- Butterfly brackets and C Channel bars included



TRIMLESS DETAIL



GIMBAL DETAIL



ORDERING INFORMATION

CAT. NO	WATTAGE	VOLTAGE	TRIMLESS	GIMBAL FINISH	HOUSING INTERIOR	ADDITIONAL
3G-RC2111	35 - 35W AR111	120 - 120V	XTR - TRIMLESS	NG - NATURAL (STD)	BK - BLACK (STD)	CC - 2 CIRCUIT OA - OPTICAL ACCESSORY
	50 - 50W AR111	277 - 277V		BG - BLACK	WH - WHITE	
	75 - 75W AR111			WG - WHITE	SV - SILVER CF - CUSTOM	

3G-RC2111						
------------------	--	--	--	--	--	--

ORDERING EXAMPLE **3G-RC2111-75-120-XTR-NG-BK**