

# RECESSED MADISON

**3G-RC216**  
**2 LIGHT RECESSED**  
TRIMLESS - MR16

**3G**  
LIGHTING



**With Trim**



**Continuous Slots**



**Surface Madison**



**Pendant Informa**

## FEATURES

### CONSTRUCTION

- Housing fabricated in cold rolled steel. Standard black powder coated finish
- Aluminum mudding flange features a unique reveal that emulates drywall
- Integral aluminum blocking support
- Maximum ceiling thickness of 1". Consult factory for modifications
- Solid aluminum, adjustable double gimbals

### ELECTRICAL

- Standard 120V electronic transformers suitable for halogen and LED retrofit lamps
- 277V electronic transformers available
- Removable trim assembly allows for easy access to transformer for maintenance
- Wattage restriction label is standard

### MOUNTING

- New construction housing suitable for drywall
- Butterfly brackets compatible with 1/2" x 1/2" channel, 1/2", 5/8", 3/4" bar hangers, 1/2" EMT, and furring strips (supplied by others)

### LABELS

- ETL listed. Suitable for dry or damp locations

### WARRANTY

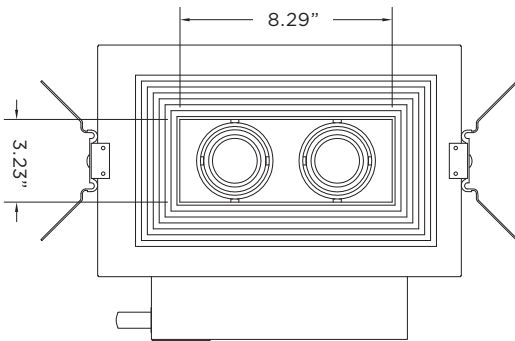
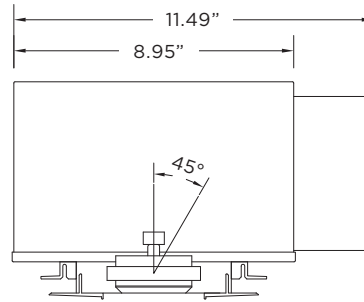
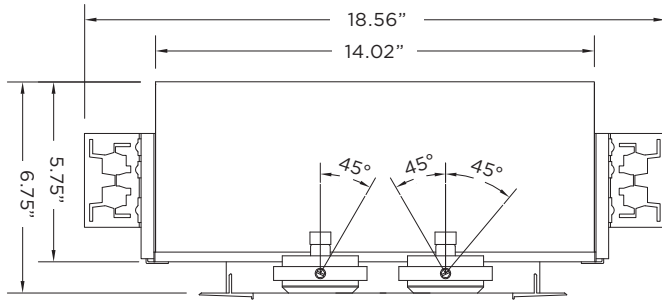
- 5 Year limited warranty

PROJECT

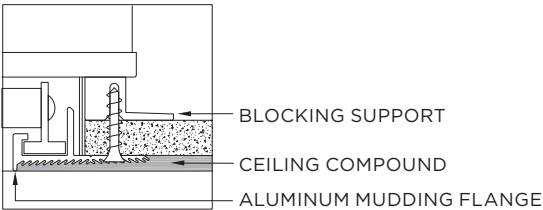
TYPE

DATE

CATALOG #



**MOUNTING**



**ORDERING INFORMATION**

CAT. NO	WATTAGE	VOLTAGE	TRIMLESS	GIMBAL FINISH	HOUSING INTERIOR	OPTIONS
<b>3G-RC216</b>	<b>50W</b> - 50W MR16	<b>120</b> - 120V	<b>XTR</b> - TRIMLESS	<b>NG</b> - NATURAL ALUMINUM (STANDARD) <b>BG</b> - BLACK <b>WG</b> - WHITE	<b>BK</b> - BLACK (STANDARD) <b>WH</b> - WHITE	<b>CP</b> - CHICAGO PLENUM
	<b>16LED</b> - MR16 LED RETROFIT (COMPATIBLE WITH SORAA)	<b>277</b> - 277V				<b>2C</b> - 2 CIRCUIT <b>BH</b> - BAR HANGERS <b>SF16</b> - SOFTENING LENS <b>LS16</b> - LINEAR SPREAD <b>HXB16</b> - BLACK HEXELL LOUVER

Maximum 3 optical accessories. See optical accessories page for more options

**3G-RC216**

ORDERING EXAMPLE: **3G-RC216-50W-120-XTR-NG-BK**