

# RECESSED MADISON

**3G-RC3**  
**3 LIGHT LED**  
70MM - WITH TRIM

**3G**  
LIGHTING



**Trimless**



**Continuous Slots**



**Surface Madison**



**Pendant Informa**

## FEATURES

### CONSTRUCTION

- Housing fabricated in cold rolled steel. Standard black powder coated finish
- Features a 3/4" removable trim assembly
- Maximum ceiling thickness of 1". Consult factory for modifications
- Solid aluminum double gimbals. Adjustable and lockable
- Anodized aluminum reflectors and extruded aluminum heatsinks

### ELECTRICAL

- Standard 120-277V, 0-10V dimmable drivers with 100-1% dimming range
- 85% efficiency and 0.9 power factor
- Lutron and eldoLED driver options available with 100-1% dimming range
- Fixture is pre-wired, thermally protected, and rated for through branch wiring
- Electrical enclosures easily accessible through fixture aperture

### LED SYSTEM

- Available in 27K, 30K, 35K, and 40K
- Average rated life of > 50,000 hours
- Color consistency < 2 SDCM
- Standard (80+CRI). Optional (90+ and 97+CRI)
- LED modules carry a 5-year warranty
- Modules are field replaceable

### LUMEN MAINTENANCE

- L70 at 60,000 hours

### MOUNTING

- New construction housing suitable for drywall, wood, acoustic and metal pan ceilings
- Butterfly brackets compatible with 1/2" x 1/2" channel, 1/2", 5/8", 3/4" bar hangers, 1/2" EMT, and furring strips (supplied by others)

### LABELS

- ETL listed. Suitable for dry or damp locations

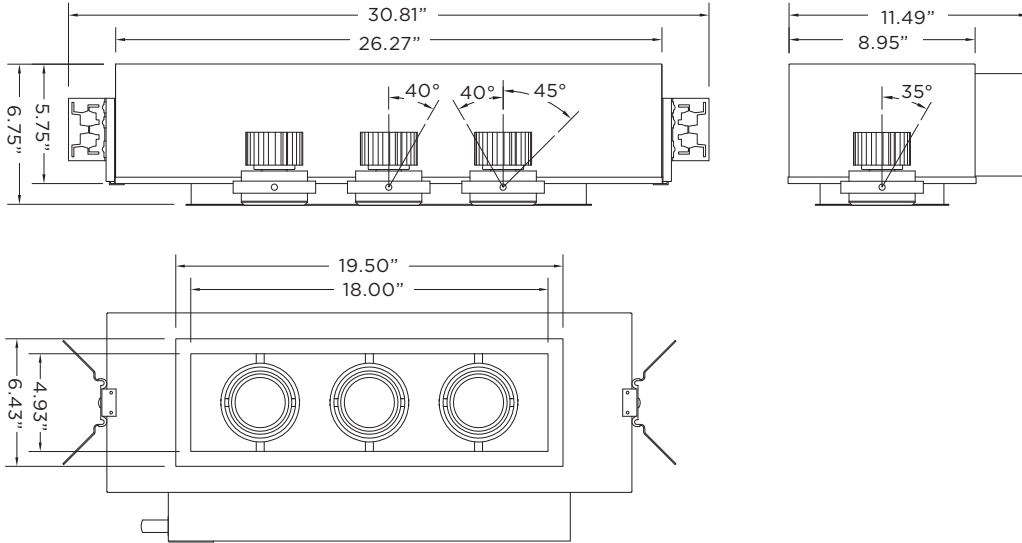
### WARRANTY

- 5 Year limited warranty

**RECESSED - MADISON | 3G - RC3 | 3 LIGHT LED - 70MM - WITH TRIM**



<b>PROJECT</b>	<b>TYPE</b>	<b>DATE</b>
<b>CATALOG #</b>		



**ORDERING INFORMATION**

CAT. NO	LUMEN OUTPUT (PER FIXTURE HEAD)	CRI	COLOR TEMP	BEAM ANGLE	VOLTAGE	DRIVER
<b>3G-RC3</b>	<b>10</b> - 1000 LUMENS	<b>S80</b> - 80+ CRI (STANDARD)	<b>27K</b> - 2700K	<b>20D</b> - 20°	<b>120</b> - 120V	<b>DIM</b> - 0-10V (STANDARD 100%-1)
	<b>15</b> - 1500 LUMENS	<b>H90</b> - 90+ CRI <sup>1</sup>	<b>30K</b> - 3000K	<b>40D</b> - 40°	<b>277</b> - 277V	<b>DHL2</b> - LUTRON (ECO SYSTEM 100-1%)
	<b>22</b> - 2200 LUMENS	<b>H97</b> - 97+ CRI <sup>2</sup>	<b>35K</b> - 3500K	<b>60D</b> - 60°	<b>347</b> - 347V (0-10V ONLY)	<b>DALI</b> - DALI (100-1%)
	<b>30</b> - 3000 LUMENS		<b>40K</b> - 4000K			<b>LE10</b> - FORWARD PHASE (100-10%) <sup>3</sup>
	<b>40</b> - 4000 LUMENS					<b>LE</b> - FORWARD PHASE (100-1%)
<b>50</b> - 5000 LUMENS						

<b>3G-RC3</b>						
---------------	--	--	--	--	--	--

TRIM FINISH	GIMBAL FINISH	HOUSING INTERIOR	HOUSING TYPE	OPTIONS
<b>WT</b> - WHITE TRIM (STANDARD) <b>ST</b> - SILVER TRIM <b>BT</b> - BLACK TRIM <b>CT</b> - CUSTOM TRIM	<b>NG</b> - NATURAL ALUMINUM (STANDARD) <b>BG</b> - BLACK <b>WG</b> - WHITE	<b>BK</b> - BLACK (STANDARD) <b>WH</b> - WHITE <b>CF</b> - CUSTOM	<b>NC</b> - NEW CONSTRUCTION <b>IC</b> - IC HOUSING <sup>4</sup> <b>CP</b> - CHICAGO PLENUM	<b>2C</b> - 2 CIRCUIT <b>BH</b> - BAR HANGERS <b>SF70</b> - SOFTENING LENS <b>LS70</b> - LINEAR SPREAD <b>HXB70</b> - BLACK HEXCELL LOUVER  Maximum 3 optical accessories. See optical accessories page for more options

--	--	--	--	--

ORDERING EXAMPLE: **3G-RC3-15-S80-30K-40D-120-DIM-WT-NG-BK-NC**

<sup>1</sup> 90+ CRI available up to 4000lm.  
<sup>2</sup> 97+ CRI available up to 3000lm.  
<sup>3</sup> 100-10% forward phase driver available up to 1500lm  
<sup>4</sup> IC Housing available up to 2200lm

# RECESSED MADISON

**3G-RC3**  
**3 LIGHT LED**  
 70MM - WITH TRIM



## PERFORMANCE CHARTS (PER FIXTURE HEAD)

### 80+ CRI (Based on 40° Beam Angle)

LUMEN OUTPUT	SYSTEM WATTS	DELIVERED LUMENS	EFFICACY LM/W
1000 LUMENS	9.8W	982	100.4
1500 LUMENS	13.7W	1375	100.4
2200 LUMENS	20.7W	2079	100.4
3000 LUMENS	32.1W	2738	85.3
4000 LUMENS	37.8W	3853	101.9
5000 LUMENS	54.3W	4630	85.3
<a href="#">DOWNLOAD</a>			

### 90+ CRI (Based on 40° Beam Angle)

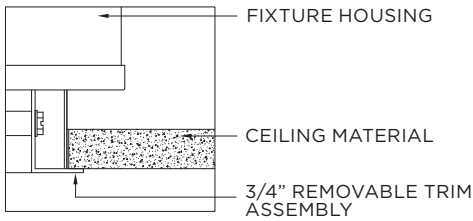
LUMEN OUTPUT	SYSTEM WATTS	DELIVERED LUMENS	EFFICACY LM/W
1000 LUMENS	9.8 W	835	85.4
1500 LUMENS	13.7W	1169	85.4
2200 LUMENS	20.1W	1719	85.4
3000 LUMENS	32.1W	2406	75.0
4000 LUMENS	44.7 W	3409	76.3
5000LUMENS	N/A	N/A	N/A
<a href="#">DOWNLOAD</a>			

### 97+ CRI (Based on 40° Beam Angle)

LUMEN OUTPUT	SYSTEM WATTS	DELIVERED LUMENS	EFFICACY LM/W
1000 LUMENS	9.8W	733	75.0
1500 LUMENS	15.6W	1173	75.0
2200 LUMENS	24.2W	1811	75.0
3000 LUMENS	37.2W	2792	75.0
4000LUMENS	N/A	N/A	N/A
5000LUMENS	N/A	N/A	N/A
<a href="#">DOWNLOAD</a>			

ADDITIONAL IES FILES FOR THIS PRODUCT FOUND [HERE](#)

## MOUNTING



## NOTES