

PROJECT	TYPE	DATE
CATALOG #		

3G-RC4111
4 LIGHT WITH TRIM
LOW VOLTAGE AR111

CONSTRUCTION

- New construction housing, electrical enclosure, and trim assembly constructed in cold rolled steel
- 3/4" removable trim assembly features an inner sleeve to conceal hardware
- Housings and trims available in various powder coated finishes
- Housing design includes discrete ventilation slots for cooler fixture operation
- A ceiling thickness of 1/2" to 1 3/4" can be accommodated
- Modified configurations available upon request

ELECTRICAL

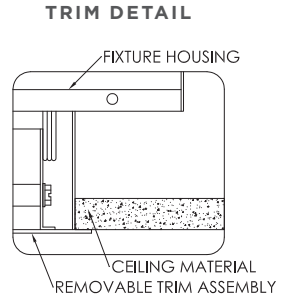
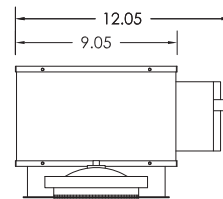
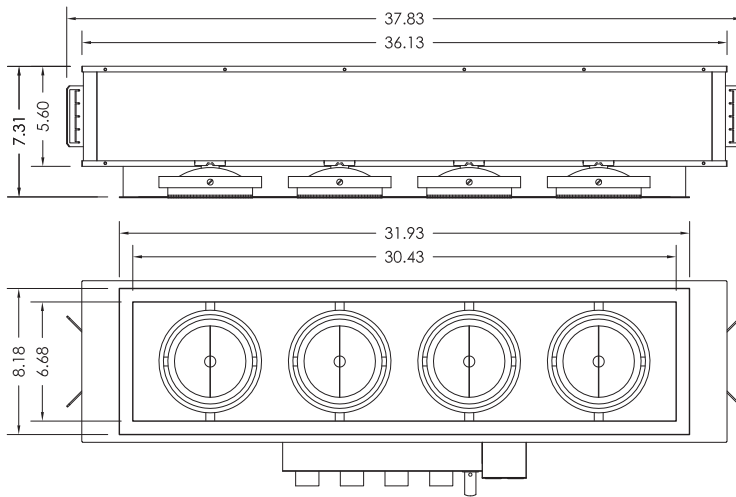
- Integral electronic transformers
- Electrical enclosures conveniently mount into the side of the housing via 2 thumb screws
- Removable trim assembly allows for access to transformers for easy maintenance
- Transformers are dimmable and multiple circuits available
- Wattage restriction labels are standard
- Fixtures are thermally protected and rated for through branch wiring

LAMP ASSEMBLY

- Lamps mount into solid aluminum adjustable double gimbal
- 45° x 45° lamp adjustment does not require the use of tools
- Can accept up to 3 optical accessories for AR111
- Lamp position within the housing can be modified upon request

MOUNTING

- Suitable for drywall, acoustic, wood, and various architectural ceilings
- Butterfly brackets and C Channel bars included



GIMBAL DETAIL



ORDERING INFORMATION

CAT. NO	WATTAGE	VOLTAGE	TRIM FINISH	GIMBAL FINISH	HOUSING INTERIOR	ADDITIONAL
3G-RC4111	35 - 35W AR111	120 - 120V	WT - WHITE TRIM	NG - NATURAL (STD)	BK - BLACK (STD)	CC - 2 CIRCUIT
	50 - 50W AR111	277 - 277V	ST - SILVER TRIM	BG - BLACK	WH - WHITE	OA - OPTICAL ACCESSORY
	75 - 75W AR111		BT - BLACK TRIM CT - CUSTOM	WG - WHITE	SV - SILVER CF - CUSTOM	

3G-RC4111						
------------------	--	--	--	--	--	--

ORDERING EXAMPLE **3G-RC4111-75-120-WT-NG-BK**