

RECESSED MADISON

3G-RC416
4 LIGHT RECESSED
WITH TRIM - MR16

3G
LIGHTING



Trimless



Continuous Slots



Surface Madison



Pendant Informa

FEATURES

CONSTRUCTION

- Housing fabricated in cold rolled steel. Standard black coated finish
- Features a 3/4" removable trim assembly
- Maximum ceiling thickness of 1". Consult factory for modifications
- Solid aluminum, adjustable double gimbals

ELECTRICAL

- Standard 120V electronic transformers suitable for halogen and LED retrofit lamps
- 277V electronic transformers available
- Removable trim assembly allows for easy access to transformer for maintenance
- Wattage restriction label is standard

MOUNTING

- New construction housing suitable for drywall, wood, acoustic and metal pan ceilings
- Butterfly brackets compatible with 1/2" x 1/2" channel, 1/2", 5/8", 3/4" bar hangers, 1/2" EMT, and furring strips (supplied by others)

LABELS

- ETL listed. Suitable for dry or damp locations

WARRANTY

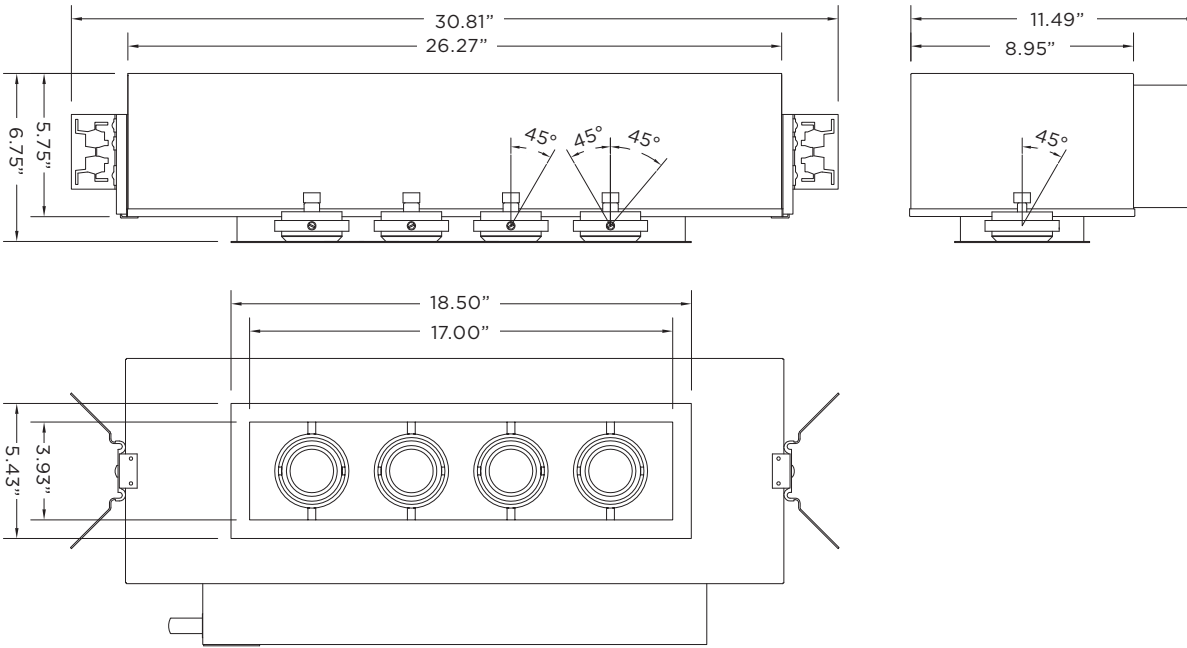
- 5 Year limited warranty

PROJECT

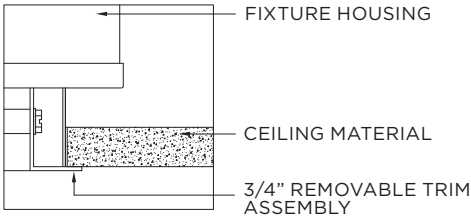
TYPE

DATE

CATALOG #



MOUNTING



ORDERING INFORMATION

| CAT. NO | WATTAGE | VOLTAGE | TRIM FINISH | GIMBAL FINISH | HOUSING INTERIOR | OPTIONS |
|-----------------|--|-------------------|---|---|------------------------------|---|
| 3G-RC416 | 50W - 50W MR16 | 120 - 120V | WT - WHITE TRIM (STANDARD) | NG - NATURAL ALUMINUM (STANDARD) | BK - BLACK (STANDARD) | CP - CHICAGO PLENUM |
| | 16LED - MR16 LED RETROFIT (COMPATIBLE WITH SORAA) | 277 - 277V | ST - SILVER TRIM BT - BLACK TRIM | BG - BLACK WG - WHITE | WH - WHITE | 2C - 2 CIRCUIT BH - BAR HANGERS SF16 - SOFTENING LENS LS16 - LINEAR SPREAD HXB16 - BLACK HEXELL LOUVER |

Maximum 3 optical accessories. See optical accessories page for more options

| | | | | | | |
|-----------------|--|--|--|--|--|--|
| 3G-RC416 | | | | | | |
|-----------------|--|--|--|--|--|--|

ORDERING EXAMPLE: **3G-RC416-50W-120-WT-NG-BK**

Copyright 2016 3G Lighting.
P: 905-850-2305 F: 905-851-6490 | TF: 888-448-0440
3G reserves the right to change, without notice, specifications or materials for product improvement.

