

SURFACE MADISON

3G-SM16

SURFACE MOUNTED

1, 2 & 3 LIGHT - MR16

3G

LIGHTING



Trim



Trimless



Continuous lots



Pendant Informa

FEATURES

CONSTRUCTION

- Extruded aluminum frame. Standard clear etched anodized finish
- Electrical enclosures fabricated in steel. Standard matte silver powder coated finish
- Solid aluminum, adjustable double gimbals
- Modified and custom configurations available

ELECTRICAL

- Standard 120V electronic transformers suitable for halogen and LED retrofit lamps
- 277V electronic transformers available
- Removable trim assembly allows for easy access to transformer for maintenance
- Wattage restriction label is standard

MOUNTING

- Suitable for surface mounted installations
- Fixture mounts to a standard junction box
- Optional conduit feed available

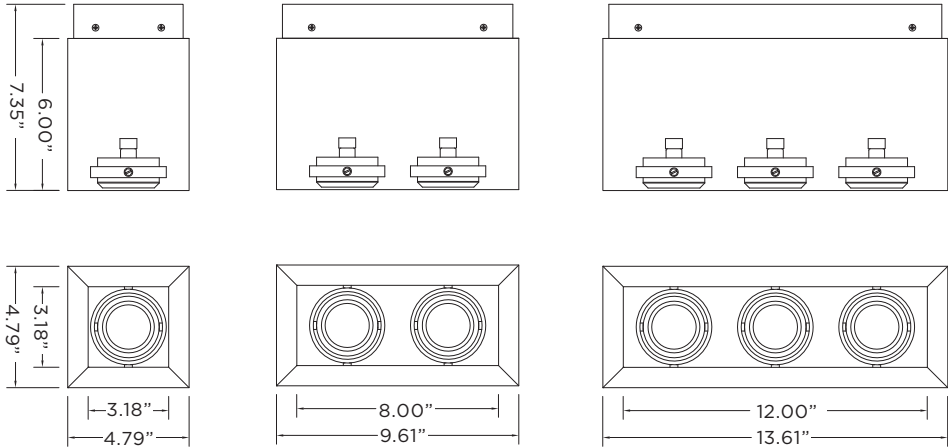
LABELS

- ETL listed. Suitable for dry or damp locations

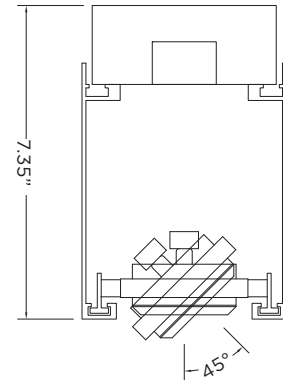
WARRANTY

- 5 Year limited warranty

PROJECT	TYPE	DATE
CATALOG #		

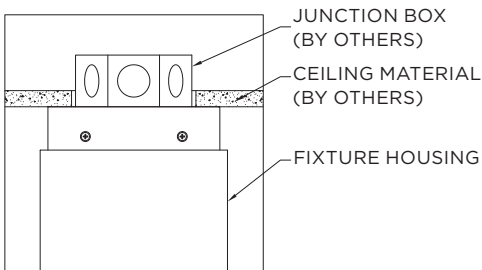


GIMBAL ADJUSTABILITY

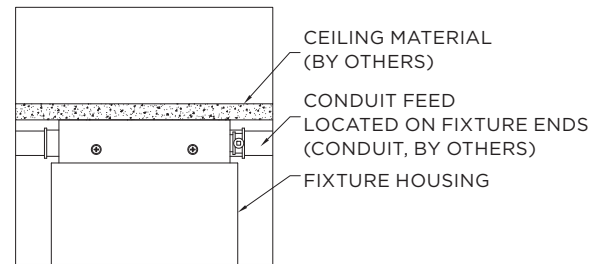


MOUNTING DETAILS

STANDARD JUNCTION BOX



CDF - CONDUIT FEED



ORDERING INFORMATION

CAT. NO	NUMBER OF LAMPS	LAMP SOURCE	WATTAGE	VOLTAGE	GIMBAL FINISH	HOUSING	OPTIONS
3G-SM	1 - 1 LIGHT	16 - MR16	50W - 50W MR16 16LED - MR16 LED RETROFIT (COMPATIBLE WITH SORAA)	120 - 120V	NG - NATURAL ALUMINUM (STANDARD) BG - BLACK WG - WHITE	BK - BLACK WH - WHITE SV - SILVER CF - CUSTOM	SF16 - SOFTENING LENS LS16 - LINEAR SPREAD HXB16 - BLACK HEXELL LOUVER 2C - 2 CIRCUIT CDF - CONDUIT FEED
	2 - 2 LIGHT			277 - 277V			
	3 - 3 LIGHT			347 - 347V (0-10V ONLY)			
						Housing interior & exterior will be the same colour	Maximum 3 optical accessories. See optical accessories page for more options

3G-SM

ORDERING EXAMPLE: **3G-SM116-50W-120-NG-BK**