



## 3G-2RLI

2" RECESSED LINEAR  
TRIM, TRIMLESS & FLANGELESS

Narrow 2" aperture with one piece extruded aluminum housing  
Individual or continuous runs available in multiple run configurations  
Suitable for drywall, wood, and various architectural ceiling  
Extruded acrylic lens available in flush, 1" and 2" drop lens options  
All drop lens options feature illuminated end caps  
1% dimming standard with several driver options



### ORDERING INFORMATION

<b>PROJECT:</b>	<input type="text"/>	<b>TYPE:</b>	<input type="text"/>
<b>CATALOG #:</b>	<input type="text"/>	<b>DATE:</b>	<input type="text"/>

CAT. NO	LED SYSTEM	CRI	COLOR TEMP	VOLTAGE	DRIVER
<b>3G-2RLI</b>	<b>L1</b> - LOW OUTPUT	<b>S80</b> - 80+CRI (STANDARD)	<b>27K</b> - 2700K	<b>UNV</b> - 120V-277V <b>347</b> - 347V (0-10V ONLY)	<b>DIM</b> - 0-10V (STANDARD 100-1%)
	<b>L2</b> - STANDARD OUTPUT		<b>30K</b> - 3000K		<b>DHL2</b> - LUTRON (ECO SYSTEM "H" 100-1%)
	<b>L4</b> - HIGH OUTPUT	<b>H90</b> - 90+CRI	<b>35K</b> - 3500K	<b>DALI</b> - DALI (100-1%)	
			<b>40K</b> - 4000K	<b>DO1</b> - 0-10V (100-0.1%)	

FLANGE TYPE	LENS OPTIONS	OPTIONS	LENGTH (FEET)
<b>WT</b> - WHITE TRIM <b>XTR</b> - TRIMLESS <b>FX</b> - FLANGELESS	<b>FL</b> - FLUSH <b>DD1</b> - 1" DROP LENS <b>DD2</b> - 2" DROP LENS	<b>EM</b> - INTEGRAL EMERGENCY BATTERY (4' SECTION) <b>CP</b> - CHICAGO PLENUM	<b>S</b> - ___' (STRAIGHT RUN)* <b>L</b> - ___' X ___' (L-SHAPE) <b>U</b> - ___' X ___' X ___' (U-SHAPE) <b>R</b> - ___' X ___' (RECTANGLE/SQUARE) <b>T</b> - ___' X ___' (T-SHAPE) <b>X</b> - ___' X ___' (X-SHAPE) <b>CUS</b> - CUSTOM LAYOUT  <small>*Individual units available in 3', 4', 5', 6' and 8' Continuous runs available in 1' increments</small>

### PERFORMANCE CHART (Based on 3500K, 4' length)

LENS OPTIONS	LED SYSTEM	SYSTEM WATTS (PER FT)	DELIVERED LUMENS (PER FT)	EFFICACY (LM/W)
<b>FLUSH</b>	<b>L1</b> - LOW OUTPUT	3.3	335	100
	<b>L2</b> - STANDARD OUTPUT	5.1	507	99
	<b>L4</b> - HIGH OUTPUT	8.8	837	96
<b>1" DROP</b>	<b>L1</b> - LOW OUTPUT	3.3	360	108
	<b>L2</b> - STANDARD OUTPUT	5.1	545	107
	<b>L4</b> - HIGH OUTPUT	8.8	900	103
<b>2" DROP</b>	<b>L1</b> - LOW OUTPUT	3.3	368	110
	<b>L2</b> - STANDARD OUTPUT	5.1	557	109
	<b>L4</b> - HIGH OUTPUT	8.8	920	105

LUMEN OUTPUT ADJUSTMENT FACTORS: (27K=0.94) (30K=0.97) (35K=1.00) (40K=1.01)

EDITION 01/19





**3G-2RLI**

2" RECESSED LINEAR - TRIM, TRIMLESS & FLANGELESS

## TECHNICAL

### HOUSING

Extruded aluminum housing with narrow 2" aperture  
Individual units and continuous runs available in 1' increments  
Trim flange with matte white powder coated finish and minimal 0.375" overlap  
Trimless model features a satin coat mudding flange  
24 gauge LED reflector with high reflectance white powder coated finish  
Extruded acrylic lens with a satin finish designed for optimal performance and glare control  
Lens options available in flush, 1" drop and 2" drop  
Standard polyester powder coated matte white finish

### ELECTRICAL

Standard 0-10V, 100-1% dimming and 0.9 power factor  
Standard 120V-277V universal voltage drivers. Optional 347V 0-10V driver  
Lutron EcoSystem and eldoLED Dali options available with 100-1% dimming  
All drivers are integral and easily accessible through the aperture  
Integral Emergency Battery: 90 minutes

### LED SYSTEM

Proprietary LED system  
Color consistency < 3 SDCM  
Standard (80+CRI). Optional (90+CRI)  
Available in 27K, 30K, 35K, and 40K  
Average rated life of > 50,000 hours  
5-year warranty

### MOUNTING

Housing suspended via 1/4" threaded rod  
Trim fixture designed for use in drywall, wood, and other architectural ceiling materials  
Trimless fixture designed for use in drywall, mud-in ceiling applications  
Flangeless fixture designed for use in wood ceilings

### LISTING

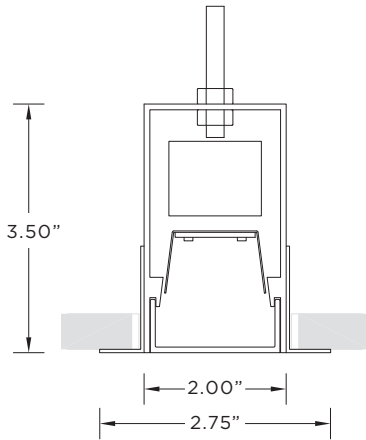
ETL listed and tested to UL standards. Suitable for dry and damp locations

### WARRANTY

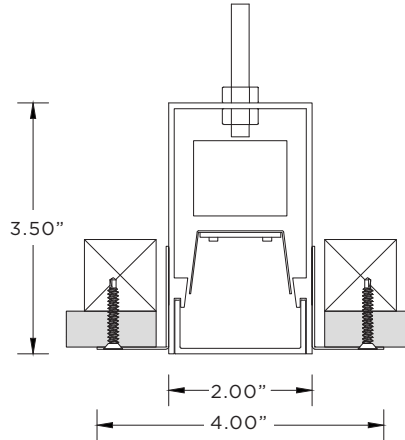
5 Year warranty on LED and drivers  
Manufacturer 1-year warranty for defects in material and workmanship under normal use  
Ambient temperature at fixture should not exceed 25°C

### DRAWINGS AND DIMENSIONS

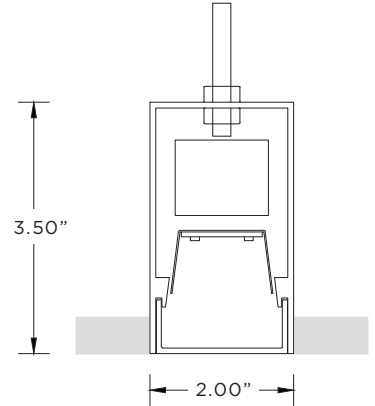
**WT - TRIM**



**XTR - TRIMLESS**

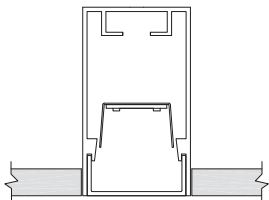


**FX - FLANGELESS**

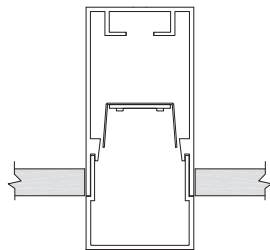


### LENS OPTIONS

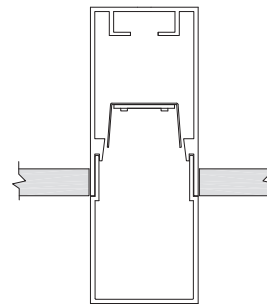
**FL - FLUSH LENS**



**DD1 - 1" DROP LENS**

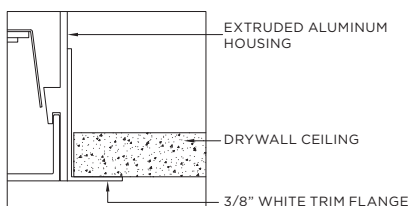


**DD2 - 2" DROP LENS**

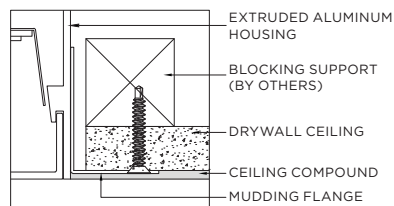


### MOUNTING

**WT - TRIM**



**XTR - TRIMLESS**



**FX - FLANGELESS**

