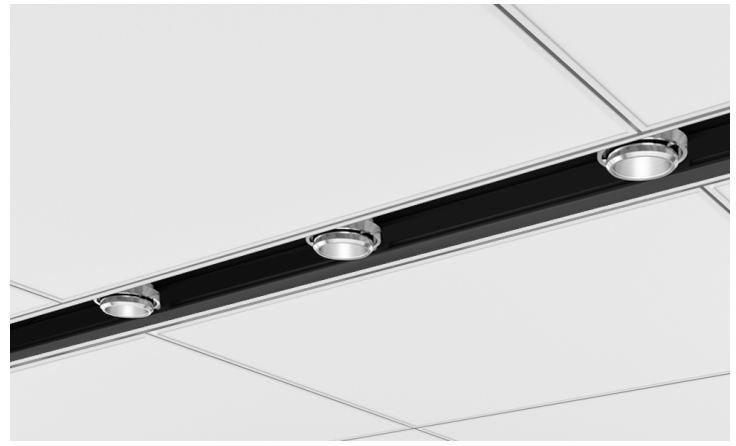


3G LIGHTING

3G-58RMSL

5.8" RECESSED MADISON SLOT
GRID CEILING & 6" TECHZONE

Designed for continuous runs in various configurations
Suitable for various grid ceilings and 6" techzone
Machined aluminum double gimbals. Adjustable and lockable
Individual fixture heads can slide within the channel
Easily adjustable in the field for maximum flexibility
Lumen range of 1000lm to 5000lm (80+, 90+, and 97+ CRI options)
1% dimming standard with several integral driver options



ORDERING INFORMATION

PROJECT:	<input type="text"/>	TYPE:	<input type="text"/>
CATALOG #:	<input type="text"/>	DATE:	<input type="text"/>

CAT. NO	LUMEN OUTPUT	CRI	COLOR TEMP	BEAM ANGLE	VOLTAGE	DRIVER	
3G-58RMSL	10 - 1000 LUMENS	S80 - 80+ CRI (STANDARD)	27K - 2700K	20D - 20°	UNV -120V-277V	DIM - 0-10V (STANDARD 100-1%) DHL2 - LUTRON (ECO SYSTEM "H" 100-1%) DALI - DALI (100-1%) LE - PHASE DIMMING ³ (TRIAC/ELV, 100-1%, 120V ONLY) D01 - 0-10V (100-0.1%) DMX - DMX (100-0%)	
	15 - 1500 LUMENS		30K - 3000K	40D - 40°			120 - 120V ³
	22 - 2200 LUMENS	H90 - 90+ CRI ¹ H97 - 97+ CRI ²	35K - 3500K	60D - 60°	347 - 347V (0-10V ONLY)		
	30 - 3000 LUMENS		40K - 4000K				
	40 - 4000 LUMENS						
50 - 5000 LUMENS							

GRID TYPE	GIMBAL FINISH	HOUSING	OPTIONS	LENGTH (FEET)	LAMP SPACING
GC1 - 9/16 LAYIN	NG - NATURAL ALUMINUM	BK - BLACK (STANDARD)	2C - 2 CIRCUIT	S - ___' (STRAIGHT RUN)	12 - 12"
GC1S - 9/16 TEGULAR					
GC2 - 15/16 LAYIN	BG - BLACK	WH - WHITE	SF70 - SOFTENING LENS	L - ___' X ___' (L-SHAPE)	24 - 24"
GC2S - 15/16 TEGULAR					
GC3 - 9/16 SLOT TEE TEGULAR	WG - WHITE		HXB70 - BLACK HEXCELL LOUVER	U - ___' X ___' X ___' (U-SHAPE)	Specify number of fixture heads (XX)
6TZ - 6 TECHZONE		EM - EMERGENCY BATTERY ⁴	R - ___' X ___' (RECTANGLE/SQUARE)		
			Maximum 3 optical accessories	Available in 6" increments	

¹ 90+ CRI available up to 4000lm

² 97+ CRI available up to 3000lm

³ Forward phase/Reverse phase driver available up to 2200lm and only in 120V

⁴ Emergency battery installed remotely by others. Not accessible through the inside of the fixture

PERFORMANCE CHART (Per fixture head)

80+ CRI (Based on 35K and 40° Beam Angle)

LUMEN OUTPUT	SYSTEM WATTS	DELIVERED LUMENS	EFFICACY LM/W
1000 LUMENS	10.0	921	91.8
1500 LUMENS	14.0	1289	91.8
2200 LUMENS	20.7	1896	91.8
3000 LUMENS	32.9	2578	78.3
4000 LUMENS	44.6	3345	75.0
5000 LUMENS	54.2	3932	72.6

90+ CRI (Based on 35K and 40° Beam Angle)

LUMEN OUTPUT	SYSTEM WATTS	DELIVERED LUMENS	EFFICACY LM/W
1000 LUMENS	10.0	788	78.6
1500 LUMENS	16.0	1261	78.6
2200 LUMENS	24.8	1948	78.6
3000 LUMENS	32.9	2252	68.4
4000 LUMENS	44.6	2944	66.0
5000 LUMENS	N/A	N/A	N/A

97+ CRI (Based on 35K and 40° Beam Angle)

LUMEN OUTPUT	SYSTEM WATTS	DELIVERED LUMENS	EFFICACY LM/W
1000 LUMENS	10.0	692	69.0
1500 LUMENS	16.0	1107	69.0
2200 LUMENS	24.8	1710	69.0
3000 LUMENS	32.9	2035	61.8
4000 LUMENS	N/A	N/A	N/A
5000 LUMENS	N/A	N/A	N/A

LUMEN OUTPUT ADJUSTMENT FACTORS: (27K=0.945) (30K=0.985) (35K=1.00) (40K=1.01)

EDITION 01/19



3G-58RMSL

LIGHTING 5.8" RECESSED MADISON SLOT - GRID CEILING & 6" TECHZONE

TECHNICAL

HOUSING

Housing constructed in extruded aluminum and cold rolled steel
Designed for continuous runs in linear, right angle, square, and rectangular configurations
Individual fixture heads can slide left or right within the channel. Easily adjustable in the field
Maximum ceiling thickness of 1.75". Consult factory for modifications
Standard matte black powder coated finish with optional matte white finish

ADJUSTABILITY

Solid aluminum double gimbal with dual axis adjustability
Each double gimbal can be locked in place

OPTICS

Regressed LED source for enhanced glare control
Proprietary anodized, aluminum reflectors are field replaceable
Available in 20°, 40°, and 60°

ELECTRICAL

Standard 0-10V, 100-1% dimming and 0.9 power factor
Standard 120-277V universal voltage drivers. Optional 347V 0-10V driver
Lutron EcoSystem and eldoLED Dali options available with 100-1% dimming
120V Forward Phase/Reverse Phase driver option with 100-1% dimming
Fixture is pre-wired and rated for through branch wiring
Individual sections can be wired independently
All drivers are integral and easily accessible through the aperture
Emergency Battery: 90 minutes

LED SYSTEM

Citizen LED module (field replaceable)
Color consistency < 2 SDCM
Standard (80+CRI). Optional (90+ and 97+CRI)
Available in 27K, 30K, 35K, and 40K
Average rated life of > 50,000 hours
5-year warranty

MOUNTING

New construction housing suspended via 1/4" threaded rod or suspension cables
Suitable for 6" techzone and various grid ceilings (see mounting details)

LISTING

ETL listed and tested to UL standards. Suitable for dry and damp locations

WARRANTY

5 Year warranty on LED and drivers
Manufacturer 1-year warranty for defects in material and workmanship under normal use
Ambient temperature at fixture should not exceed 25°C

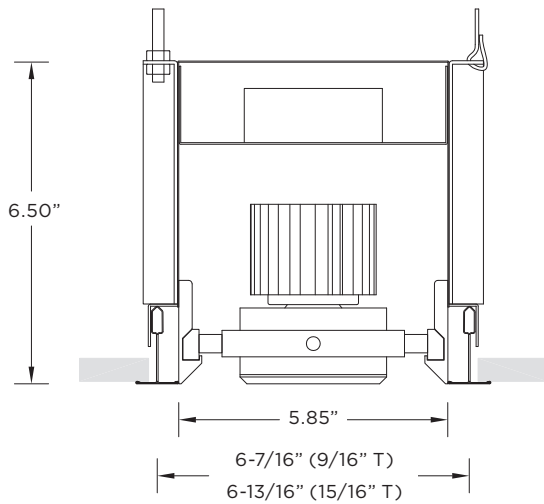


3G-58RMSL

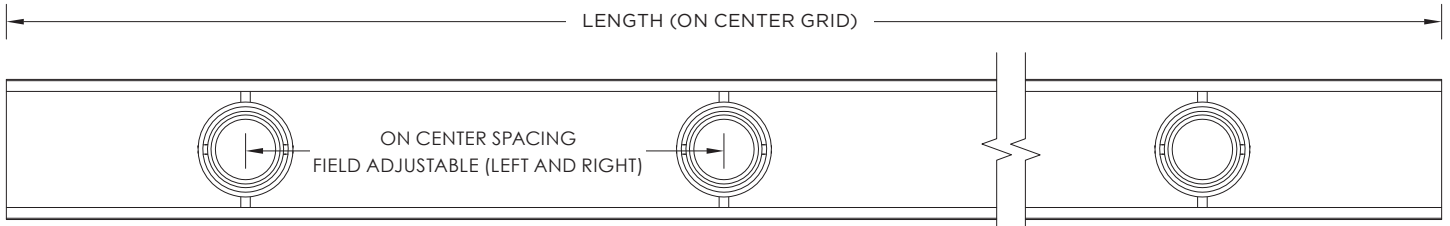
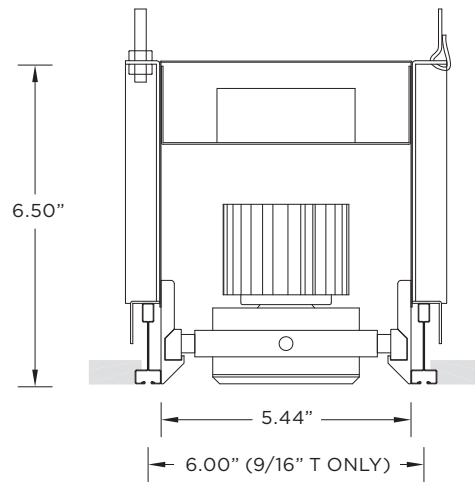
LIGHTING 5.8" RECESSED MADISON SLOT - GRID CEILING & 6" TECHZONE

DRAWINGS AND DIMENSIONS

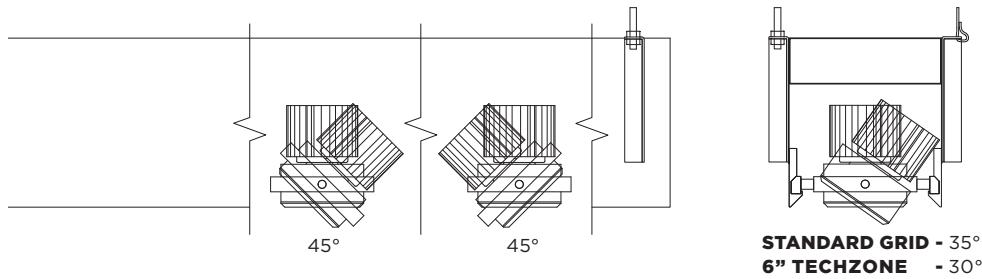
STANDARD GRID



6TZ - 6" TECHZONE



GIMBAL ADJUSTABILITY



MOUNTING

GC1 - 9/16" LAYIN

GC1S - 9/16" TEGULAR

GC2 - 15/16" LAYIN

GC2S - 15/16" TEGULAR

GC3 - 9/16" SLOT TEE TEGULAR
6TZ - 6" TECHZONE

