

PENDANT KUBO

3G-PKU2401
24" PENDANT

3G
LIGHTING



24" Recessed Kubo



24" Surface Kubo



Pendant Kubo Single



Recessed Linear Kubo

FEATURES

CONSTRUCTION

- White sandblasted acrylic diffuser. Fabricated with mitered corners
- 20 gauge cold rolled steel housing powder coated matte white
- 24 gauge LED reflector powder coated matte white

ELECTRICAL

- Standard 120-277V, 0-10V dimmable driver with 100-1% dimming range.
- 85% efficiency and 0.9 power factor
- Lutron driver options available with 100-1% dimming range
- eldoLED Dali driver available with 100-1% dimming range
- Emergency Battery: 90 minutes

LED SYSTEM

- Available in 27K, 30K, 35K, and 40K
- Average rated life of 60,000 hours
- Color consistency < 3 SDCM
- CRI > 80 for 30K, 35K, and 40K
- CRI > 90 for 27K

LUMEN MAINTENANCE

- L70 at 60,000 hours

MOUNTING

- Suitable for various ceiling applications (see mounting details)
- Aircraft cable suspension with adjustable locking fasteners

FINISH

- Standard polyester powder coated matte white finish. Optional matte silver finish

LABELS

- ETL listed. Suitable for dry or damp locations (indoor use)

WARRANTY

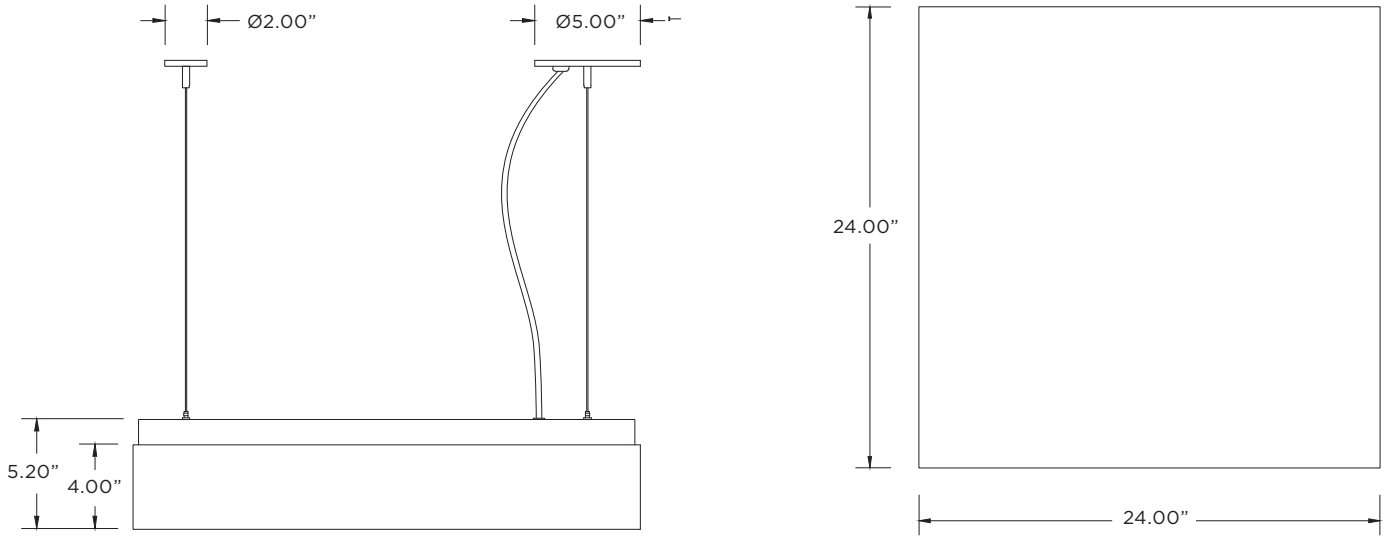
- 5 Year limited warranty.

PROJECT

TYPE

DATE

CATALOG #



ORDERING INFORMATION

CAT. NO	LED SYSTEM	COLOR TEMP	VOLTAGE	DRIVER	FINISH	CABLE LENGTH	OPTIONS
3G-PKU2401	L2 - STANDARD OUTPUT	27K - 2700K	120 - 120V	DIM - 0-10V (STANDARD 100-1%)	WH - WHITE (STANDARD)	60 - 60" (STANDARD)	EM - EMERGENCY BATTERY
		30K - 3000K	277 - 277V				
	L4 - HIGH OUTPUT	35K - 3500K	347 - 347V (0-10V ONLY)	DHL - LUTRON (3-WIRE-100-1%)	SV - SILVER	120 - 120"	
		40K - 4000K		DHL2 - LUTRON (ECOSYSTEM-100-1%)			
				DALI - DALI (100-1%)			

3G-PKU2401							
-------------------	--	--	--	--	--	--	--

ORDERING EXAMPLE

3G-PKU2401-L2-35K-120-DIM-WH-60

Copyright 2016 3G Lighting
 P: 905-850-2305 F: 905-851-6490 | TF: 888-448-0440
 3G reserves the right to change, without notice, specifications or materials for product improvement.



5 YEAR LIMITED WARRANTY



PENDANT KUBO

3G-PKU2401
24" PENDANT

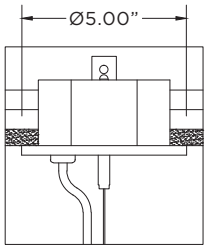
3G
LIGHTING

PERFORMANCE CHART (based on 3500K)

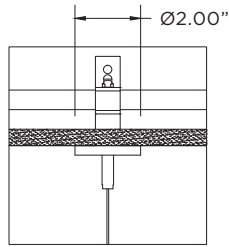
LED SYSTEM	SYSTEM WATTS	DELIVERED LUMENS	EFFICACY LM/W	IES FILES	
STANDARD OUTPUT	35W	3937	112	DOWNLOAD	
HIGH OUTPUT	49.4W	5593	113	DOWNLOAD	

MOUNTING

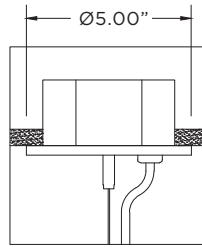
GRID POWER FEED



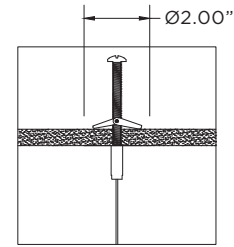
GRID NON POWER FEED



DRYWALL POWER FEED



DRYWALL NON POWER FEED



NOTES