



## 3G-PCL45R

4.5" DIAMETER CYLINDER  
PENDANT MOUNTED



4.5" diameter high performance cylinder  
Companion to 3G-DL45R series downlight family  
Extruded aluminum housing with powder coated finish  
Twist lock construction and no visible hardware  
Regressed LED source for enhanced glare control  
Lumen range of 1000lm to 4000lm (80+, 90+, and 97+ CRI options)  
1% dimming standard with several integral driver options

### ORDERING INFORMATION

<b>PROJECT:</b>	<input type="text"/>	<b>TYPE:</b>	<input type="text"/>
<b>CATALOG #:</b>	<input type="text"/>	<b>DATE:</b>	<input type="text"/>

CAT. NO	LUMEN OUTPUT	CRI	COLOR TEMP	BEAM ANGLE	VOLTAGE	DRIVER	
<b>3G-PCL45R</b>	10 - 1000 LUMENS	<b>S80</b> - 80+CRI (STANDARD)	<b>27K</b> - 2700K	<b>20D</b> - 20°	<b>UNV</b> - 120V-277V	<b>DIM</b> - 0-10V (STANDARD 100%-1) <b>DHL2</b> - LUTRON (ECO SYSTEM "H" 100-1%) <b>DALI</b> - DALI (100-0%) <b>LE</b> - PHASE DIMMING <sup>2</sup> (TRIAC/ELV, 100-1%, 120V ONLY) <b>D01</b> - 0-10V (100-0.1%) <b>DMX</b> - DMX (100-0%)	
	15 - 1500 LUMENS		<b>30K</b> - 3000K	<b>40D</b> - 40°			<b>120</b> - 120V <sup>2</sup>
	22 - 2200 LUMENS	<b>H90</b> - 90+ CRI	<b>35K</b> - 3500K	<b>60D</b> - 60°	<b>347</b> - 347V (0-10V ONLY)		
	30 - 3000 LUMENS		<b>H97</b> - 97+ CRI <sup>1</sup>				
	40 - 4000 LUMENS						

CYLINDER FINISH	CANOPY FINISH	SUSPENSION TYPE	SUSPENSION LENGTH	OPTIONS
<b>WH</b> - WHITE <b>BK</b> - BLACK <b>SV</b> - SILVER <b>CF</b> - CUSTOM RAL COLOR	<b>WH</b> - WHITE (STANDARD) <b>BK</b> - BLACK <b>SV</b> - SILVER	<b>WC</b> - WHITE CABLE <b>BC</b> - BLACK CABLE <b>CC</b> - CLEAR CABLE <b>RSW</b> - WHITE RIGID STEM <b>RSB</b> - BLACK RIGID STEM <b>RSS</b> - SILVER RIGID STEM <b>RSC</b> - CUSTOM RAL STEM	<b>C60</b> - 60" CABLE <b>C120</b> - 120" CABLE <b>S24</b> - 24" STEM <b>S48</b> - 48" STEM <b>S96</b> - 96" STEM <small>All suspension options are field cuttable</small>	<b>SB70</b> - SANDBLASTED LENS <b>SF70</b> - SOFTENING LENS <b>LS70</b> - LINEAR SPREAD <b>HXB70</b> - BLACK HEXELL LOUVER <small>Maximum 1 optical accessory</small>

<sup>1</sup> 97+ CRI available up to 3000lm  
<sup>2</sup> Forward phase/Reverse phase driver available up to 2200lm and only in 120V

### PERFORMANCE CHART

80+ CRI (Based on 35K and 20° Beam Angle)				90+ CRI (Based on 35K and 20° Beam Angle)				97+ CRI (Based on 35K and 20° Beam Angle)			
LUMEN OUTPUT	SYSTEM WATTS	DELIVERED LUMENS	EFFICACY LM/W	LUMEN OUTPUT	SYSTEM WATTS	DELIVERED LUMENS	EFFICACY LM/W	LUMEN OUTPUT	SYSTEM WATTS	DELIVERED LUMENS	EFFICACY LM/W
1000 LUMENS	10.0	1044	104.1	1000 LUMENS	10.0	880	87.7	1000 LUMENS	10.0	772	77.0
1500 LUMENS	14.0	1462	104.1	1500 LUMENS	16.0	1407	87.7	1500 LUMENS	16.0	1236	77.0
2200 LUMENS	20.7	2150	104.1	2200 LUMENS	24.8	2173	87.7	2200 LUMENS	24.8	1908	77.0
3000 LUMENS	32.9	2935	89.1	3000 LUMENS	32.9	2579	78.3	3000 LUMENS	32.9	2270	69.0
4000 LUMENS	42.5	3469	81.7	4000 LUMENS	44.6	3136	70.3	4000 LUMENS	N/A	N/A	N/A

LUMEN OUTPUT ADJUSTMENT FACTORS: (27K=0.945) (30K=0.985) (35K=1.00) (40K=1.01)

EDITION 02/19





**3G-PCL45R**

LIGHTING 4.5" DIAMETER CYLINDER PENDANT MOUNTED

## TECHNICAL

### HOUSING

Extruded aluminum housing with powder coated finish  
Twist and lock construction with no visible hardware

### BEVELED INSERT

4.5" with regressed LED source for enhanced glare control  
Machined aluminum beveled insert with powder coated finish

### OPTICS

Proprietary anodized, aluminum reflectors are field replaceable  
Available in 20°, 40°, and 60°

### ELECTRICAL

Standard 0-10V, 100-1% dimming and 0.9 power factor  
Standard 120V-277V universal voltage drivers. Optional 347V 0-10V driver  
Lutron EcoSystem and eldoLED Dali options available with 100-1% dimming  
120V Forward Phase/Reverse Phase driver option with 100-1% dimming  
All drivers are integral and easily accessible through cylinder housing

### LED SYSTEM

Citizen LED module (field replaceable)  
Color consistency < 2 SDCM  
Standard (80+CRI). Optional (90+ and 97+CRI)  
Available in 27K, 30K, 35K, and 40K  
Average rated life of > 50,000 hours  
5-year warranty

### MOUNTING

1/2" diameter rigid stem option with hang straight (field cuttable with provided stem adapter)  
Adjustable aircraft cable option with power cable  
All hardware included for mounting to 4" octagonal junction box  
Canopy provided in white finish as standard

### LISTING

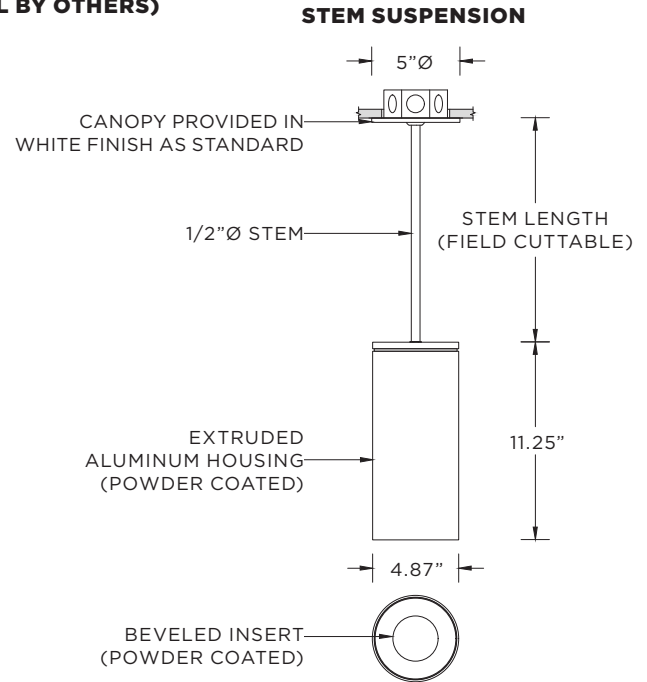
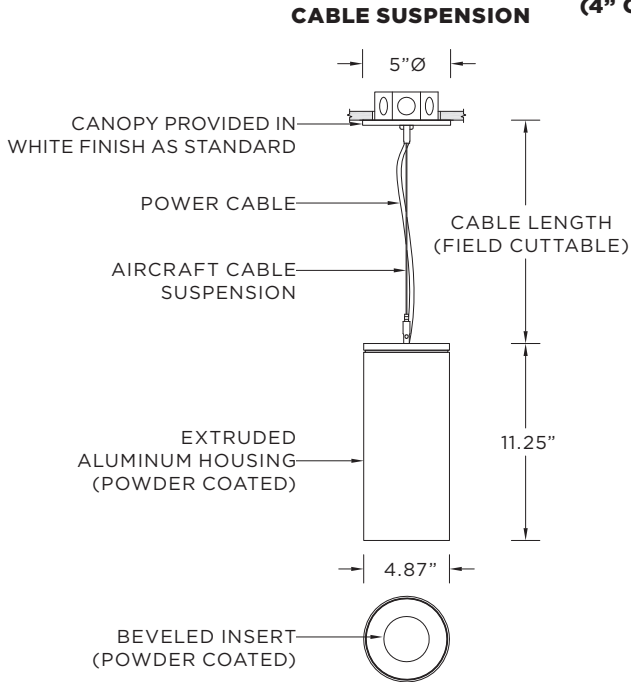
ETL listed and tested to UL standards. Suitable for dry and damp locations

### WARRANTY

5 Year warranty on LED and drivers  
Manufacturer 1-year warranty for defects in material and workmanship under normal use

### DRAWINGS AND DIMENSIONS

#### RECESSED J-BOX (4" OCTAGONAL BY OTHERS)



#### SURFACE MOUNTED J-BOX (4" OCTAGONAL BY OTHERS)

