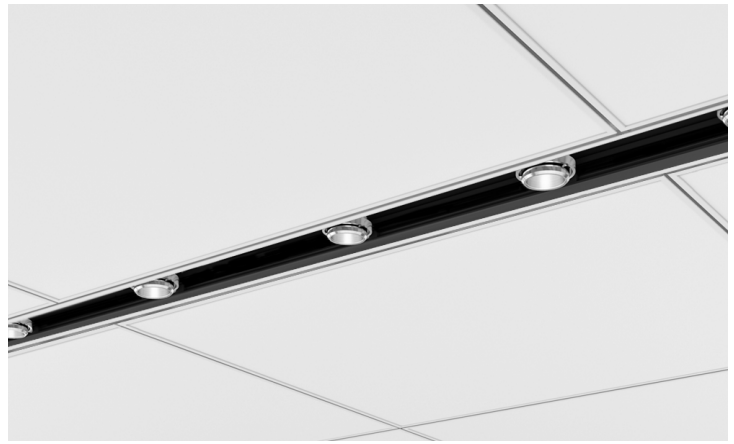


3G LIGHTING

3G-48RMSL

4.8" RECESSED MINI MADISON SLOT
GRID CEILING

Designed for continuous runs in various configurations
Suitable for various grid ceilings
50mm machined aluminum double gimbals. Adjustable and lockable
Individual fixture heads can slide within the channel
Easily adjustable in the field for maximum flexibility
Lumen range up to 1500lm (80+, 90+, and 97+ CRI options)
1% dimming standard with several integral driver options



ORDERING INFORMATION

| | | | |
|-------------------|----------------------|--------------|----------------------|
| PROJECT: | <input type="text"/> | TYPE: | <input type="text"/> |
| CATALOG #: | <input type="text"/> | DATE: | <input type="text"/> |

| CAT. NO | LUMEN OUTPUT | CRI | COLOR TEMP | BEAM ANGLE | VOLTAGE | DRIVER |
|------------------|------------------|-----------------------------------|-----------------------------------|------------------|--------------------------------|--|
| 3G-48RMSL | 10 - 1000 LUMENS | S80 - 80+CRI (STANDARD) | 27K - 2700K | 40D - 40° | UNV -120V-277V | DIM - 0-10V (STANDARD 100-1%) |
| | 15 - 1500 LUMENS | H90 - 90+ CRI | 30K - 3000K | 60D - 60° | 120 - 120V ¹ | DHL2 - LUTRON (ECO SYSTEM "H" 100-1%) |
| | | H97 - 97+ CRI | 35K - 3500K | | | DALI - DALI (100-0%) |
| | | 40K - 4000K | 347 - 347V (0-10V ONLY) | | | LE - PHASE DIMMING ¹ (TRIAC/ELV, 100-1%, 120V ONLY) |
| | | | | | | D01 - 0-10V (100-0.1%) |
| | | | | | | DMX - DMX (100-0%) |

| GRID TYPE | GIMBAL FINISH | HOUSING | OPTIONS | LENGTH (FEET) | LAMP SPACING |
|------------------------------------|--|---|---|--|---|
| GC1 - 9/16 LAYIN | NG - NATURAL ALUMINUM BG - BLACK WG - WHITE | BK - BLACK (STANDARD) WH - WHITE | 2C - 2 CIRCUIT | S - ___' (STRAIGHT RUN) L - ___' X ___' (L-SHAPE) U - ___' X ___' X ___' (U-SHAPE) R - ___' X ___' (RECTANGLE/SQUARE) | 12 - 12" 18 - 18" 24 - 24" CUS (xx) - CUSTOM Specify number of fixture heads (XX) |
| GC1S - 9/16 TEGULAR | | | CP - CHICAGO PLENUM | | |
| GC2 - 15/16 LAYIN | | | SF50 - SOFTENING LENS | | |
| GC2S - 15/16 TEGULAR | | | LS50 - LINEAR SPREAD | | |
| GC3 - 9/16 SLOT TEE TEGULAR | | | HXB50 - BLACK HEXCELL LOUVER EM - EMERGENCY BATTERY ² | | |
| | | | Maximum 2 optical accessories | Available in 6" increments | |

¹ Forward phase/Reverse phase driver available in 120V only

² Emergency battery installed remotely by others. Not accessible through the inside of the fixture

PERFORMANCE CHART (Per fixture head)

80+ CRI (Based on 35K and 40° Beam Angle)

| LUMEN OUTPUT | SYSTEM WATTS | DELIVERED LUMENS | EFFICACY LM/W |
|--------------|--------------|------------------|---------------|
| 1000 LUMENS | 10.0 | 1007 | 100.4 |
| 1500 LUMENS | 14.0 | 1409 | 100.4 |

90+ CRI (Based on 35K and 40° Beam Angle)

| LUMEN OUTPUT | SYSTEM WATTS | DELIVERED LUMENS | EFFICACY LM/W |
|--------------|--------------|------------------|---------------|
| 1000 LUMENS | 10.0 | 862 | 85.9 |
| 1500 LUMENS | 16.0 | 1379 | 85.9 |

97+ CRI (Based on 35K and 40° Beam Angle)

| LUMEN OUTPUT | SYSTEM WATTS | DELIVERED LUMENS | EFFICACY LM/W |
|--------------|--------------|------------------|---------------|
| 1000 LUMENS | 10.0 | 757 | 75.4 |
| 1500 LUMENS | 16.0 | 1211 | 75.4 |

LUMEN OUTPUT ADJUSTMENT FACTORS: (27K=0.945) (30K=0.985) (35K=1.00) (40K=1.01)

EDITION 02/19



3G-48RMSL

LIGHTING 4.8" RECESSED MINI MADISON SLOT - GRID CEILING

TECHNICAL

HOUSING

Housing constructed in extruded aluminum and cold rolled steel
Designed for continuous runs in linear, right angle, square, and rectangular configurations
Individual fixture heads can slide left or right within the channel. Easily adjustable in the field
Maximum ceiling thickness of 1.75". Consult factory for modifications
Standard matte black powder coated finish with optional matte white finish

ADJUSTABILITY

Solid aluminum 50mm double gimbal with dual axis adjustability
Each double gimbal can be locked in place

OPTICS

Regressed LED source for enhanced glare control
Proprietary anodized, aluminum reflectors are field replaceable
Available in 40° and 60°

ELECTRICAL

Standard 0-10V, 100-1% dimming and 0.9 power factor
Standard 120-277V universal voltage drivers. Optional 347V 0-10V driver
Lutron EcoSystem and eldoLED Dali options available with 100-1% dimming
120V Forward Phase/Reverse Phase driver option with 100-1% dimming
Fixture is pre-wired and rated for through branch wiring
Individual sections can be wired independently
All drivers are integral and easily accessible through the aperture
Emergency Battery: 90 minutes

LED SYSTEM

Citizen LED module (field replaceable)
Color consistency < 2 SDCM
Standard (80+CRI). Optional (90+ and 97+CRI)
Available in 27K, 30K, 35K, and 40K
Average rated life of > 50,000 hours
5-year warranty

MOUNTING

New construction housing suspended via 1/4" threaded rod or suspension cables
Suitable for various grid ceilings applications (see mounting details)

LISTING

ETL listed and tested to UL standards. Suitable for dry and damp locations

WARRANTY

5 Year warranty on LED and drivers
Manufacturer 1-year warranty for defects in material and workmanship under normal use
Ambient temperature at fixture should not exceed 25°C

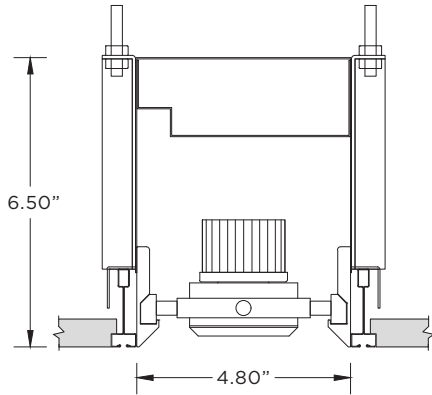


3G-48RMSL

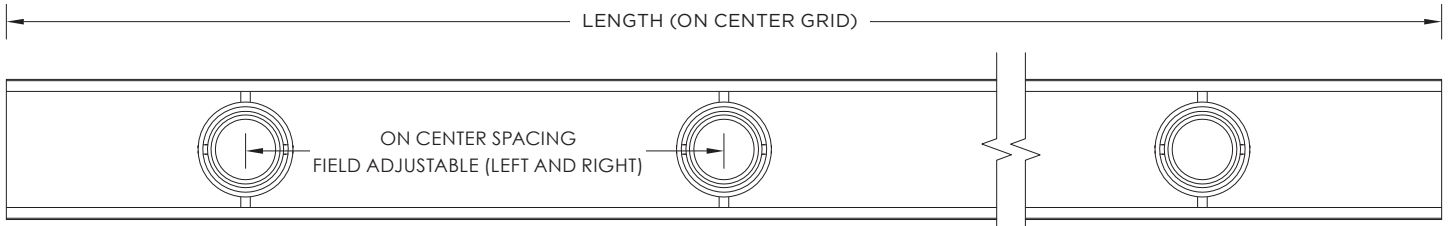
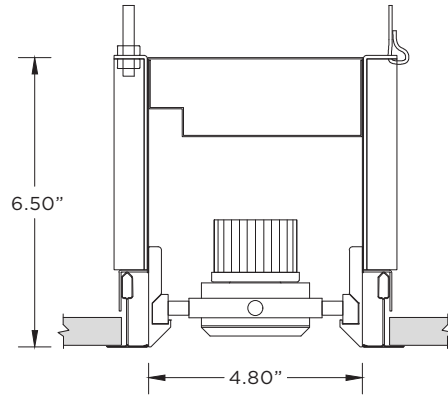
LIGHTING 4.8" RECESSED MINI MADISON SLOT - GRID CEILING

DRAWINGS AND DIMENSIONS

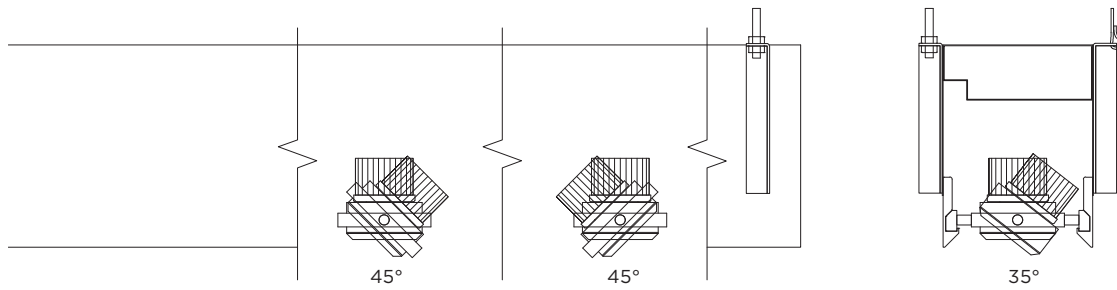
9/16" SLOT TEE



15/16" LAYIN TEE



GIMBAL ADJUSTABILITY



MOUNTING

GC1 - 9/16" LAYIN

GC1S - 9/16" TEGULAR

GC2 - 15/16" LAYIN

GC2S - 15/16" TEGULAR

GC3 - 9/16" SLOT TEE TEGULAR

