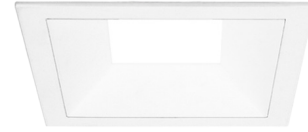




3G-DL33SA

3.3" SQUARE ADJUSTABLE
TRIM & TRIMLESS



3.3" adjustable high performance downlight
Hot aiming with 0°-40° lockable tilt and 362° lockable rotation
Regressed LED source for enhanced glare control
Lumen range of 1000lm to 3000lm (80+, 90+, and 97+ CRI options)
Shallow housing available along with other housing options
1% dimming standard with several driver options

Available Q2

ORDERING INFORMATION

PROJECT:	<input type="text"/>	TYPE:	<input type="text"/>
CATALOG #:	<input type="text"/>	DATE:	<input type="text"/>

CAT. NO	LUMEN OUTPUT	CRI	COLOR TEMP	BEAM ANGLE	VOLTAGE
3G-DL33SA	10 - 1000 LUMENS	S80 - 80+CRI (STANDARD)	27K - 2700K	40D - 40°	120 - 120V ²
	15 - 1500 LUMENS	H90 - 90+CRI ¹	30K - 3000K	60D - 60°	277 - 277V
	22 - 2200 LUMENS	H97 - 97+CRI ¹	35K - 3500K		347 - 347V (0-10V ONLY)
	30 - 3000 LUMENS		40K - 4000K		

DRIVER	FLANGE TYPE	BEVELED INSERT	HOUSING TYPE	OPTIONS
DIM - 0-10V (STANDARD 100-1%)	WT - WHITE	WI - WHITE	RMD - REMODEL (NON-IC)	SF50 - SOFTENING LENS ⁴
DHL2 - LUTRON (ECO SYSTEM "H" 100-1%)	BT - BLACK	SI - SILVER	NCF - NEW CONSTRUCTION FRAME (NON-IC)	SB50 - SANDBLASTED LENS
DALI - DALI (100-0%)	XTR - TRIMLESS	BI - BLACK	SH - SHALLOW HOUSING ³ (CP RATED & IC RATED)	LS50 - LINEAR SPREAD
LE - PHASE DIMMING ² (TRIAC/ELV, 100-1%, 120V ONLY)			NC - NEW CONSTRUCTION HOUSING (CP RATED)	EM - EMERGENCY BATTERY ⁵
				CP - CHICAGO PLENUM ⁶
				ATSH - AIRTIGHT SHALLOW HOUSING ⁷
				Maximum 1 optical accessory

¹ 90+ CRI and 97+ CRI available up to 2200lm
² Forward phase/Reverse phase driver available up to 2200lm and only in 120V
³ Shallow Housing (IC Rated and Chicago Plenum Rated) available up to 2200lm
⁴ Softening lens provided standard for all fixtures
⁵ Emergency battery installed remotely by others. Not accessible through the inside of the fixture
⁶ Chicago Plenum option available with Shallow Housing (2200lm max) and New Construction Housing
⁷ Airtight Housing option available with Shallow Housing only (2200lm max)

PERFORMANCE CHART

80+ CRI (Based on 35K and 60° Beam Angle)				90+ CRI (Based on 35K and 60° Beam Angle)				97+ CRI (Based on 35K and 60° Beam Angle)			
LUMEN OUTPUT	SYSTEM WATTS	DELIVERED LUMENS	EFFICACY LM/W	LUMEN OUTPUT	SYSTEM WATTS	DELIVERED LUMENS	EFFICACY LM/W	LUMEN OUTPUT	SYSTEM WATTS	DELIVERED LUMENS	EFFICACY LM/W
1000 LUMENS	10.0	822	81.9	1000 LUMENS	14.0	985	70.2	1000 LUMENS	14.0	865	61.6
1500 LUMENS	16.0	1315	81.9	1500 LUMENS	20.1	1407	70.2	1500 LUMENS	20.1	1236	61.6
2200 LUMENS	24.8	2031	81.9	2200 LUMENS	27.9	1953	70.2	2200 LUMENS	28.9	1781	61.6
3000 LUMENS	32.9	2380	72.3	3000 LUMENS	N/A	N/A	N/A	3000 LUMENS	N/A	N/A	N/A

LUMEN OUTPUT ADJUSTMENT FACTORS: (27K=0.945) (30K=0.985) (35K=1.00) (40K=1.01)

EDITION 05/19



TECHNICAL**HOUSING**

Remodel, new construction frame, IC housing, and Shallow housing options available

Maximum ceiling thickness of 1". Consult factory for modifications

All housing options designed to be easily converted in field to trim or trimless with minimal components

Housings are rated for #12 AWG, (4 in, 4 out), 90°C conductors and through branch wiring

BEVELED INSERT

3.3" aperture with regressed LED source for enhanced glare control

Machined aluminum beveled insert with powder coated finish

TRIM

Machined aluminum trim flange with powder coated finish and minimal 0.375" overlap

TRIMLESS

Mudding flange with integral blocking support installs flush with ceiling

ADJUSTABILITY

Proprietary hot-aiming mechanism with sliding center beam optimization

0°-40° lockable tilt and 362° lockable rotation with Phillips screwdriver

OPTICS

Proprietary anodized, aluminum reflectors are field replaceable

Available in 40° and 60°

Softening lens provided standard for all fixtures

ELECTRICAL

Standard 0-10V, 100-1% dimming and 0.9 power factor

Lutron EcoSystem and eldoLED Dali options available with 100-1% dimming

120V Forward Phase/Reverse Phase driver option with 100-1% dimming

All drivers are integral and easily accessible through the aperture

Emergency Battery: 90 minutes (remote only)

LED SYSTEM

Citizen LED module (field replaceable)

Color consistency < 2 SDCM

Standard (80+CRI). Optional (90+ and 97+CRI)

Available in 27K, 30K, 35K, and 40K

Average rated life of > 50,000 hours

5-year warranty

MOUNTING

Trim fixture designed for use in drywall, wood, acoustic ceiling tiles, and other ceiling materials

Trimless fixture designed for use in drywall, mud-in ceiling applications

Recommended ceiling cut-out: (3 15/16" x 3 15/16") All housing options

All housing options ship standard with bar hangers (14" to 26" extension)

LISTING

ETL listed and tested to UL standards. Suitable for dry and damp locations

WARRANTY

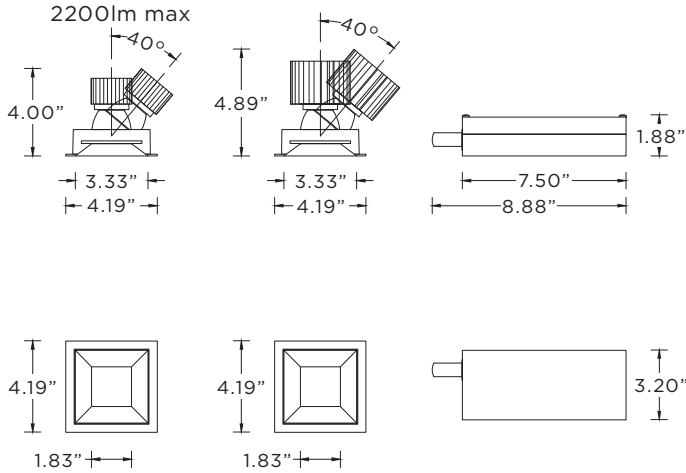
5 Year warranty on LED and drivers

Manufacturer 1-year warranty for defects in material and workmanship under normal use

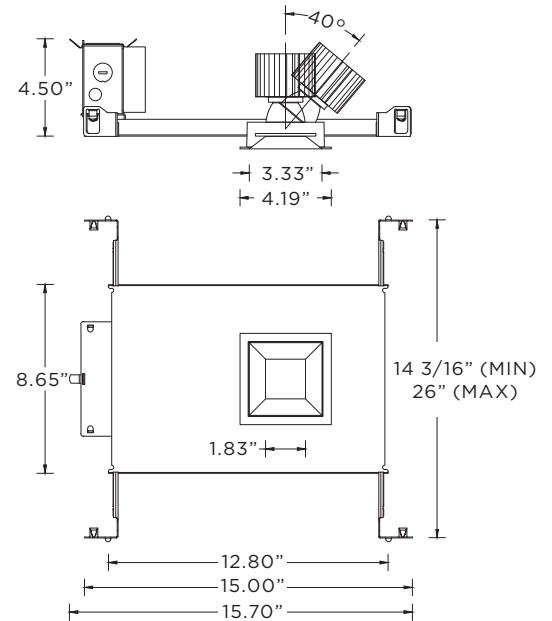
Ambient temperature at fixture should not exceed 25°C

TRIM HOUSING OPTIONS

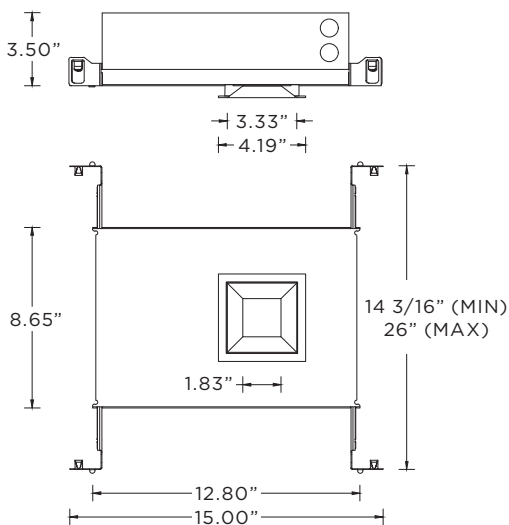
RMD - Remodel (Non-IC) (3000lm max)



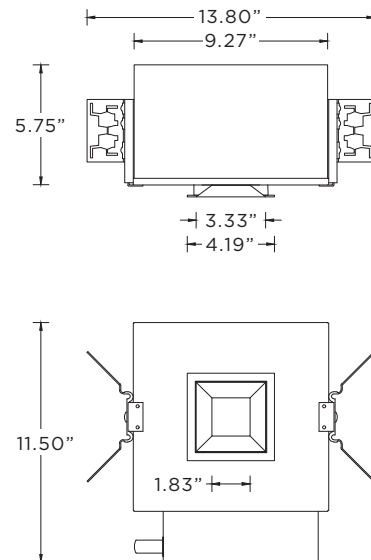
NCF - New Construction Frame (Non-IC) (3000lm max)



SH - Shallow Housing (Chicago Plenum and IC Rated) (2200lm max)
ATSH - Airtight Shallow Housing (2200lm max)

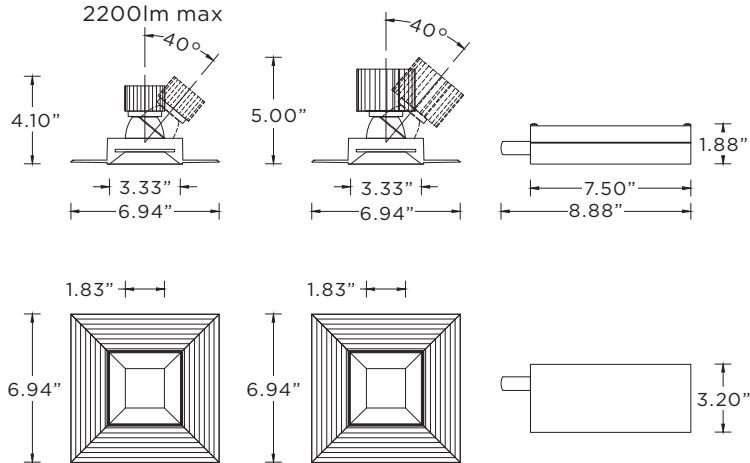


NC - New Construction Housing (Non-IC) (Chicago Plenum Rated)

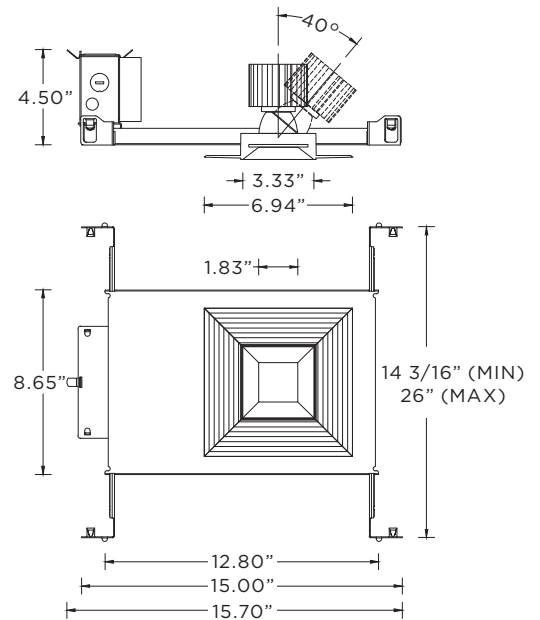


TRIMLESS HOUSING OPTIONS

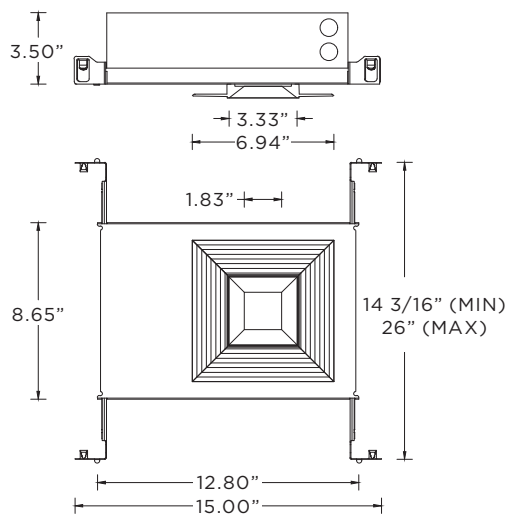
RMD - Remodel (Non-IC) (3000lm max)



NCF - New Construction Frame (Non-IC) (3000lm max)



SH - Shallow Housing (Chicago Plenum and IC Rated) (2200lm max)
ATSH - Airtight Shallow Housing (2200lm max)



NC - New Construction Housing (Non-IC) (Chicago Plenum Rated)

