



## 3G-1RLI

1.5" RECESSED LINEAR  
TRIM, TRIMLESS & FLANGELESS

Narrow 1.5" aperture with one-piece extruded aluminum housing  
Individual or continuous runs available in multiple run configurations  
Suitable for drywall, wood, and various architectural ceilings  
Extruded acrylic lens with optimal performance and glare control  
1% dimming standard with several driver options



**Available Q3**

### ORDERING INFORMATION

<b>PROJECT:</b>	<input type="text"/>	<b>TYPE:</b>	<input type="text"/>
<b>CATALOG #:</b>	<input type="text"/>	<b>DATE:</b>	<input type="text"/>

CAT. NO	LED SYSTEM	CRI	COLOR TEMP	VOLTAGE
<b>3G-1RLI</b>	<b>L1</b> - LOW OUTPUT (335 LM/FT)	<b>S80</b> - 80+CRI (STANDARD)	<b>27K</b> - 2700K	<b>UNV</b> - 120V-277V
	<b>L2</b> - STANDARD OUTPUT (507 LM/FT)	<b>H90</b> - 90+CRI	<b>30K</b> - 3000K	<b>347</b> - 347V (0-10V ONLY)
	<b>L4</b> - HIGH OUTPUT (837 LM/FT)		<b>35K</b> - 3500K	
	<b>L___</b> - CUSTOM OUTPUT (SPECIFY TARGET LM/FT)		<b>40K</b> - 4000K	

DRIVER	FLANGE TYPE	LENS OPTION	LENGTH (FEET)
<b>DIM</b> - 0-10V (STANDARD 100-1%)	<b>WT</b> - WHITE TRIM	<b>FL</b> - FLUSH	<b>S</b> - ___' (STRAIGHT RUN)*
<b>DHL2</b> - LUTRON (ECO SYSTEM "H" 100-1%)	<b>XTR</b> - TRIMLESS		<b>L</b> - ___' X ___' (L-SHAPE)
<b>DALI</b> - DALI (100-1%)	<b>FX</b> - FLANGELESS		<b>U</b> - ___' X ___' X ___' (U-SHAPE)
<b>D01</b> - 0-10V (100-0.1%)			<b>R</b> - ___' X ___' (RECTANGLE/SQUARE)
			<b>T</b> - ___' X ___' (T-SHAPE)
			<b>X</b> - ___' X ___' (X-SHAPE)
			<b>CUS</b> - CUSTOM LAYOUT

\*Individual units available in 3', 4', 5', 6' and 8'  
Continuous runs available in 1' increments

### PERFORMANCE CHART (Based on 3500K, 4' length)

LENS OPTION	LED SYSTEM	SYSTEM WATTS (PER FT)	DELIVERED LUMENS (PER FT)	EFFICACY (LM/W)
<b>FLUSH</b>	<b>L1</b> - LOW OUTPUT	7.7	335	40
	<b>L2</b> - STANDARD OUTPUT	5.1	507	99
	<b>L4</b> - HIGH OUTPUT	8.8	837	96

**PRELIMINARY**

LUMEN OUTPUT ADJUSTMENT FACTORS: (27K=0.94) (30K=0.97) (35K=1.00) (40K=1.01)

EDITION 04/19





**3G-1RLI**

LIGHTING 1.5" RECESSED LINEAR - TRIM, TRIMLESS & FLANGELESS

## TECHNICAL

### HOUSING

- Extruded aluminum housing with narrow 1.5" aperture
- Individual units and continuous runs available in 1' increments
- Trim flange with matte white powder coated finish and minimal 0.400" overlap
- Trimless model features a satin coat mudding flange
- 24 gauge LED reflector with high reflectance white powder coated finish
- Extruded acrylic lens with a satin finish designed for optimal performance and glare control
- Standard polyester powder coated matte white finish

### ELECTRICAL

- Standard 0-10V, 100-1% dimming and 0.9 power factor
- Standard 120V-277V universal voltage drivers. Optional 347V 0-10V driver
- Lutron EcoSystem and eldoLED Dali options available with 100-1% dimming
- All drivers are integral and easily accessible through the aperture

### LED SYSTEM

- Proprietary LED system
- Color consistency < 3 SDCM
- Standard (80+CRI). Optional (90+CRI)
- Available in 27K, 30K, 35K, and 40K
- Average rated life of > 50,000 hours
- 5-year warranty

### MOUNTING

- Housing suspended via 1/4" threaded rod (by others)
- Trim fixture designed for use in drywall, wood, and other architectural ceiling materials
- Trimless fixture designed for use in drywall, mud-in ceiling applications
- Flangeless fixture designed for use in wood ceilings

### LISTING

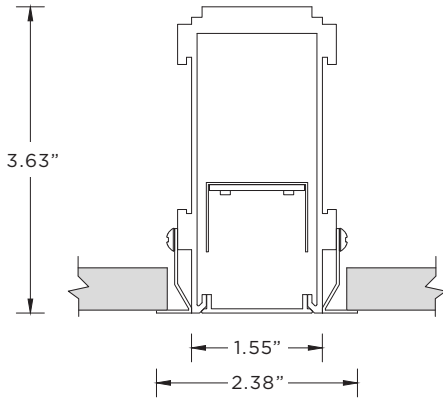
- ETL listed and tested to UL standards. Suitable for dry and damp locations

### WARRANTY

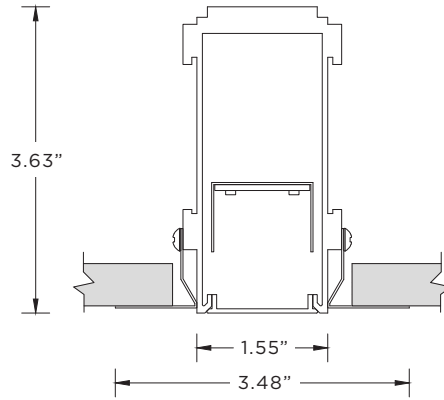
- 5 Year warranty on LED and drivers
- Manufacturer 1-year warranty for defects in material and workmanship under normal use
- Ambient temperature at fixture should not exceed 25°C

### DRAWINGS AND DIMENSIONS

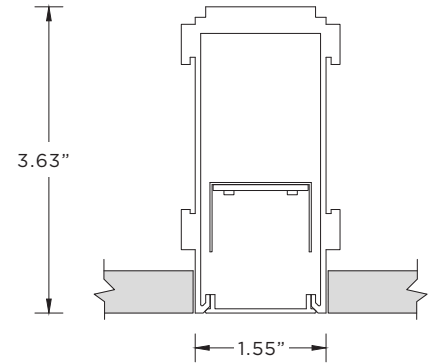
**WT - TRIM**



**XTR - TRIMLESS**

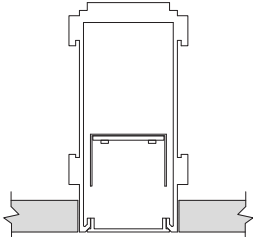


**FX - FLANGELESS**



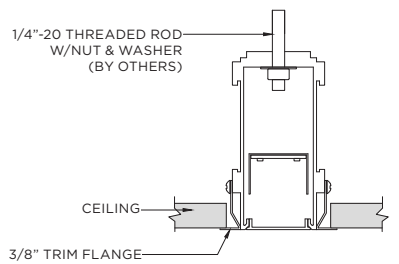
### LENS OPTION

**FL - FLUSH LENS**



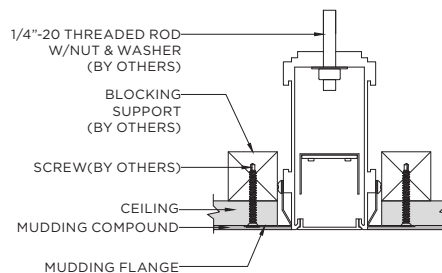
### MOUNTING

**WT - TRIM**



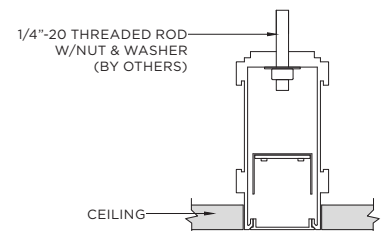
**CEILING CUT-OUT**  
2.13" x (LENGTH + 0.4")

**XTR - TRIMLESS**



**CEILING CUT-OUT**  
2.13" x (LENGTH + 0.4")

**FX - FLANGELESS**



**CEILING CUT-OUT**  
1.6" x (LENGTH + 0.125")