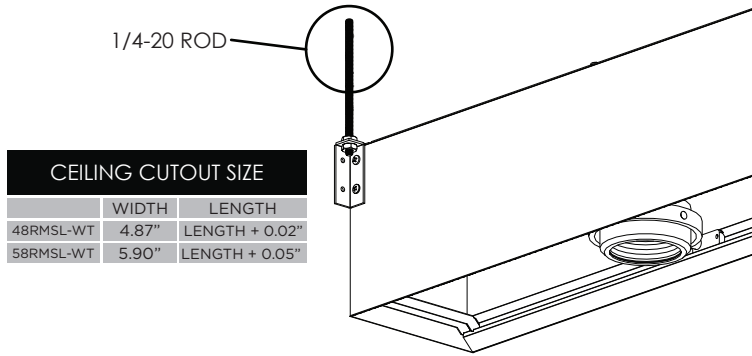


**⚠ FOR NEW CONSTRUCTION INSTALLATION ONLY**

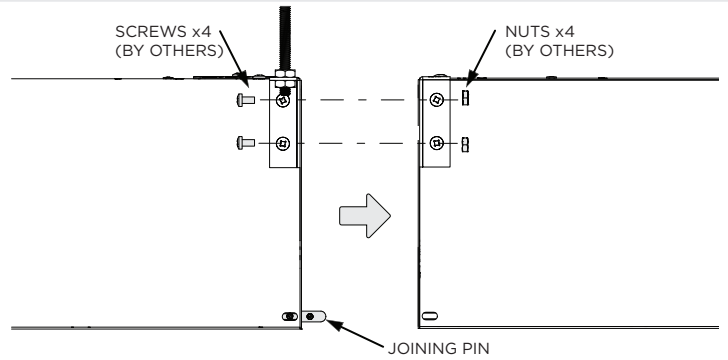
INSTRUCTION KEY	INFORMATION
⚠ ADDITIONAL	INSTALLATION SHOULD ONLY BE PERFORMED BY A CERTIFIED ELECTRICIAN
i ATTENTION	REFER TO LOCAL/NATIONAL CODES FOR PROPER INSTALLATION
⚡ POWER ON	FAILURE TO FOLLOW INSTALLATION INSTRUCTION MAY VOID THE WARRANTY
ⓧ POWER OFF	DO NOT TOUCH LEDS. LEDS MUST BE PROTECTED FROM MECHANICAL STRESS OR DEBRIS TURN OFF POWER DURING INSTALLATION OR SERVICING

**1 FIXTURE MOUNTING**



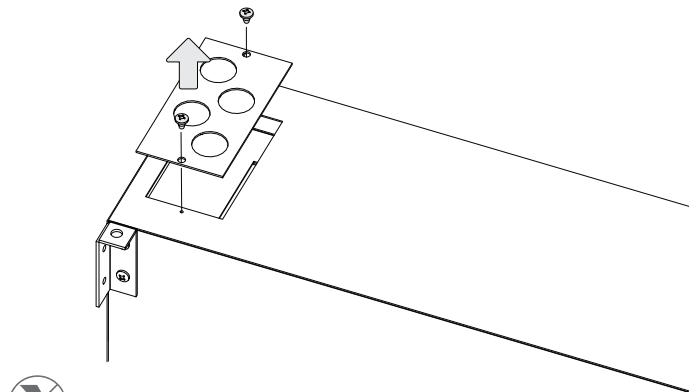
- LUMINAIRE MUST BE INSTALLED PRIOR TO INSTALLING CEILING
- ATTACH FIXTURE TO CEILING WITH 1/4-20 RODS OR SUSPENSION CABLES (BY OTHERS)

**2 CONNECT SECTIONS**



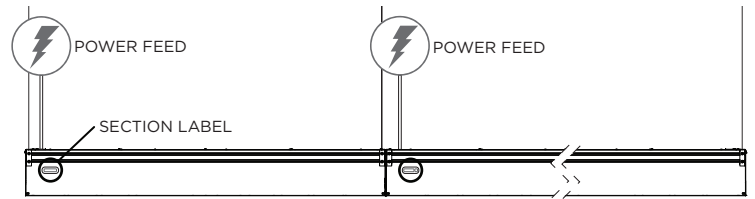
- ALIGN SECTIONS WITH JOINING PINS
- SECURE SECTIONS TOGETHER BY FASTENING THE MOUNTING BRACKETS WITH 8-32 SCREWS AND NUTS (BY OTHERS)

**3 ELECTRICAL CONNECTIONS**



- REMOVE ACCESS PANEL AND MAKE ALL ELECTRICAL CONNECTIONS INSIDE ELECTRICAL COMPARTMENT

**4 POWERING & ARRANGING SECTIONS**



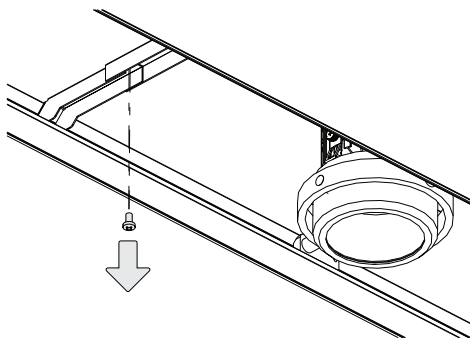
ARRANGE SECTIONS BY CORRECTLY ORDERING LABELS



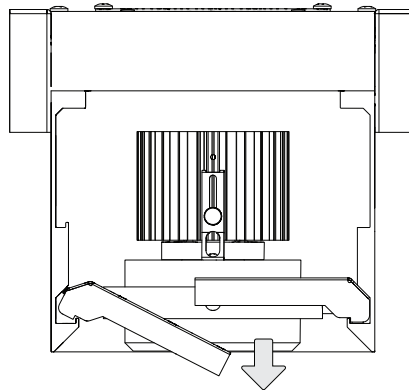
- EACH SECTION MUST BE INDIVIDUALLY POWERED

**5 SPACER REMOVAL**

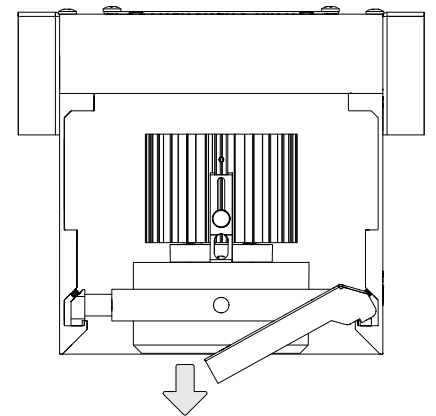
⚠ TO AVOID PAINT SCRATCHING, DO NOT TWIST SPACER



- AFTER FIXTURE IS INSTALLED REMOVE SCREW FROM SPACER ASSEMBLY

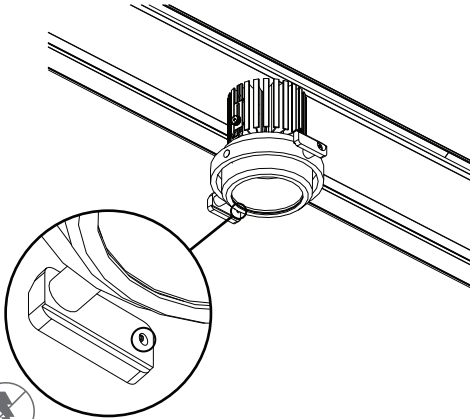


- REMOVE INNER SPACER SECTION

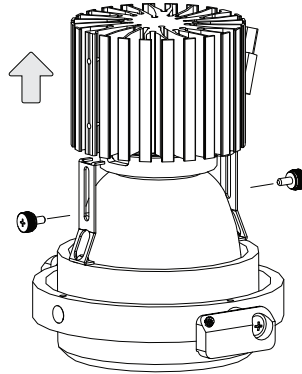


- REMOVE OUTER SPACER SECTION

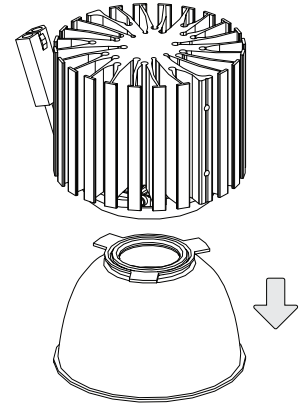
**6 LED SERVICING**



-LOOSEN SET SCREWS AND  
REMOVE GIMBAL ASSEMBLY FROM HOUSING

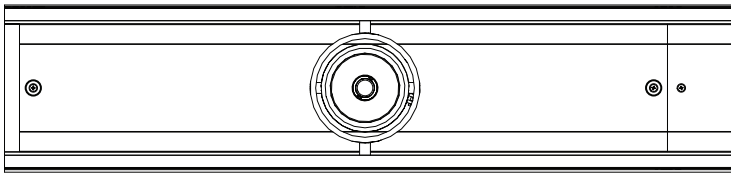


-REMOVE THUMB SCREWS  
-LIFT LED ASSEMBLY FROM GIMBAL



-TWIST AND REMOVE REFLECTOR  
-REPLACE LED

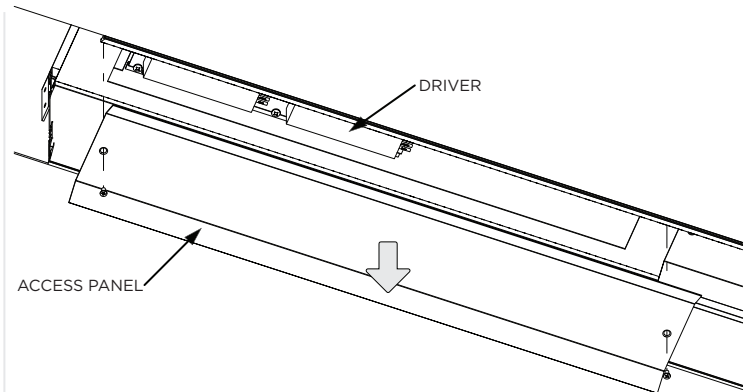
**7 DRIVER SERVICING**



BOTTOM VIEW



-REMOVE GIMBAL  
-REMOVE ACCESS PANEL FROM HOUSING



-DRIVER IS LOCATED UNDER ACCESS PANEL  
-ONCE DRIVER IS REPLACED, REATTACH  
ACCESS PANEL & GIMBAL TO HOUSING