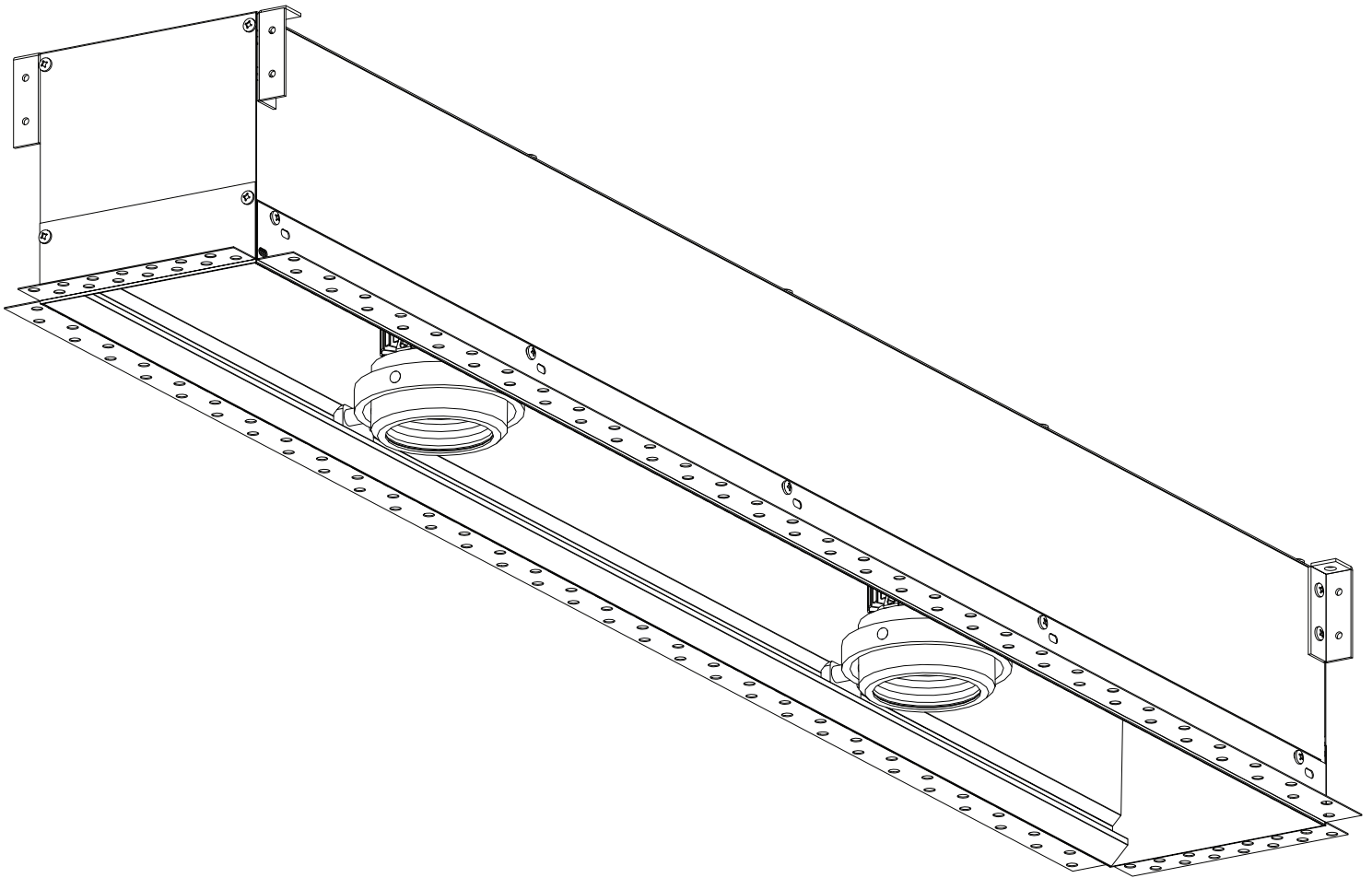


**RECESSED  
MADISON SLOT**

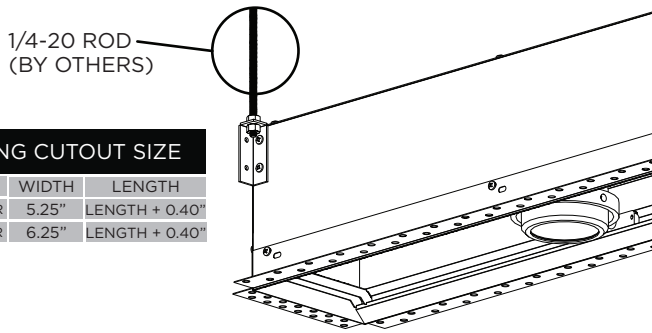
TRIMLESS



**⚠ FOR NEW CONSTRUCTION INSTALLATION ONLY**

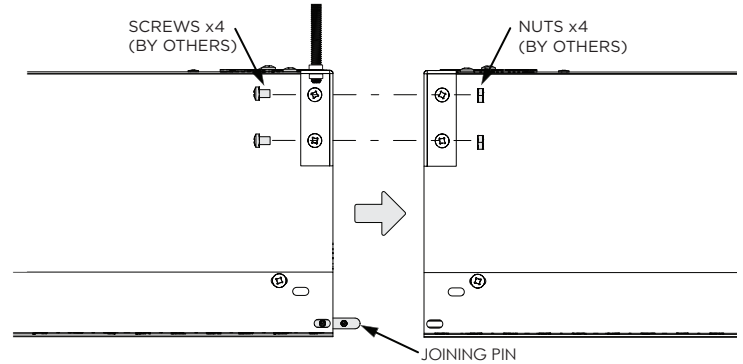
INSTRUCTION KEY	INFORMATION
⚠ ADDITIONAL	INSTALLATION SHOULD ONLY BE PERFORMED BY A CERTIFIED ELECTRICIAN
ⓘ ATTENTION	REFER TO LOCAL/NATIONAL CODES FOR PROPER INSTALLATION
⚡ POWER ON	FAILURE TO FOLLOW INSTALLATION INSTRUCTION MAY VOID THE WARRANTY
⊘ POWER OFF	DO NOT TOUCH LEDS. LEDS MUST BE PROTECTED FROM MECHANICAL STRESS OR DEBRIS
	TURN OFF POWER DURING INSTALLATION OR SERVICING

**1 FIXTURE MOUNTING**



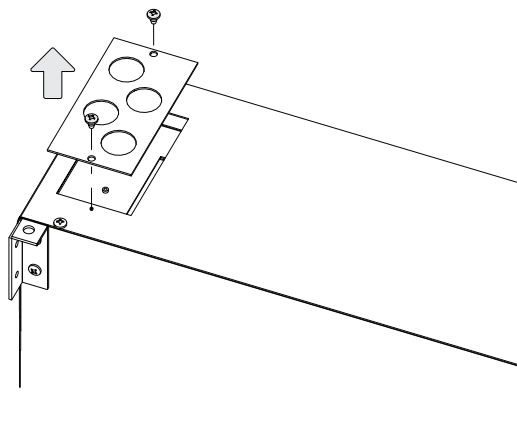
- LUMINAIRE MUST BE INSTALLED PRIOR TO INSTALLING CEILING
- ATTACH FIXTURE TO CEILING WITH 1/4-20 RODS OR SUSPENSION CABLES (BY OTHERS)

**2 CONNECT SECTIONS**



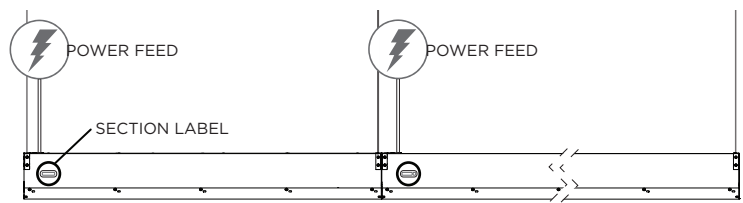
- ALIGN SECTIONS WITH JOINING PINS
- SECURE SECTIONS TOGETHER BY FASTENING THE MOUNTING BRACKETS WITH 8-32 SCREWS AND NUTS (BY OTHERS)

**3 ELECTRICAL CONNECTIONS**



- REMOVE ACCESS PANEL AND MAKE ALL ELECTRICAL CONNECTIONS INSIDE ELECTRICAL COMPARTMENT

**4 POWERING & ARRANGING SECTIONS**

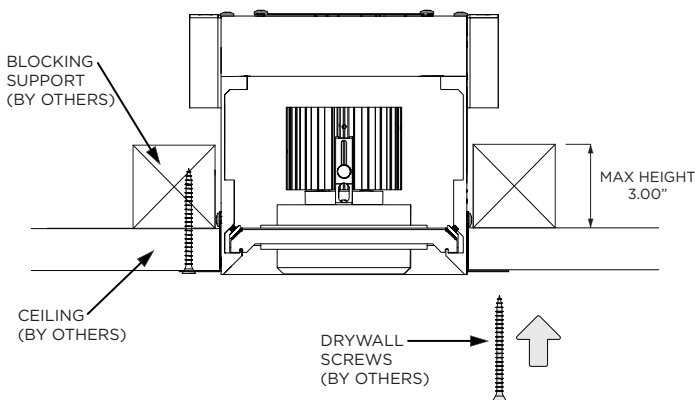


ARRANGE SECTIONS BY CORRECTLY ORDERING LABELS



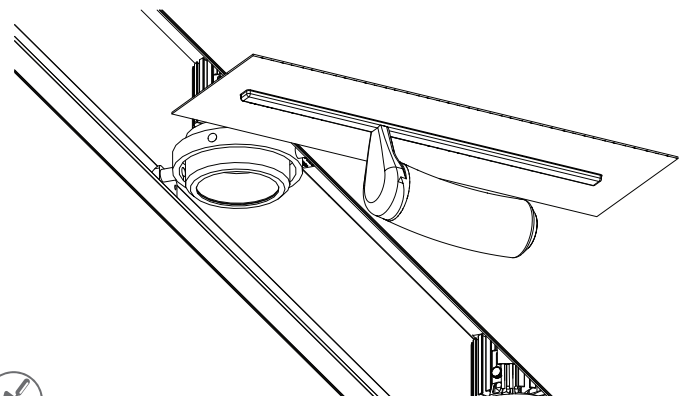
- EACH SECTION MUST BE INDIVIDUALLY POWERED

**5 SECURE TO CEILING**



- SECURE FIXTURE TO CEILING USING BLOCKING SUPPORT (BY OTHERS) AND DRYWALL SCREWS (BY OTHERS)

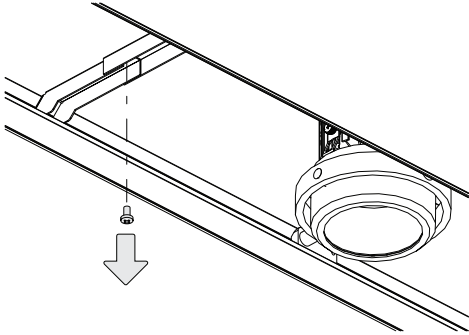
**6 FINISH CEILING**



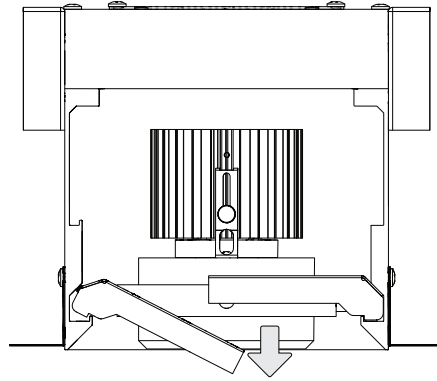
- APPLY MUDDING COMPOUND OVER MUDDING FLANGE, AND FINISH CEILING

**7 SPACER REMOVAL**

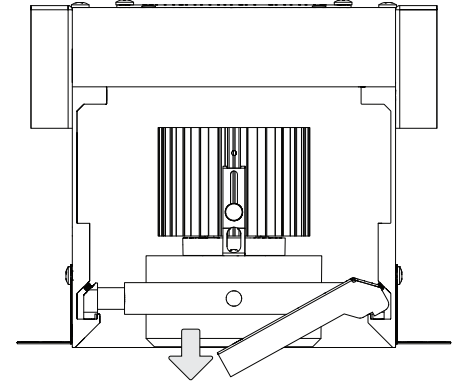
⚠ TO AVOID PAINT SCRATCHING, DO NOT TWIST SPACER



-AFTER FIXTURE IS INSTALLED  
REMOVE SCREW FROM SPACER ASSEMBLY

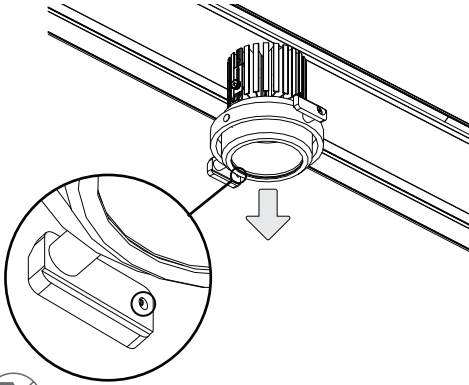


-REMOVE INNER SPACER SECTION

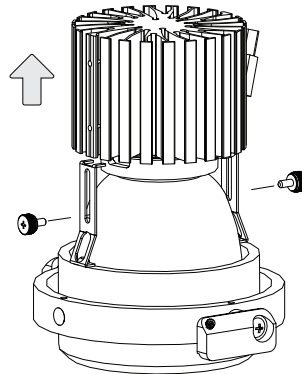


-REMOVE OUTER SPACER SECTION

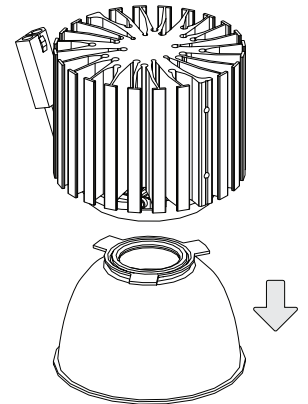
**8 LED SERVICING**



-LOOSEN SET SCREWS AND  
REMOVE GIMBAL ASSEMBLY FROM HOUSING

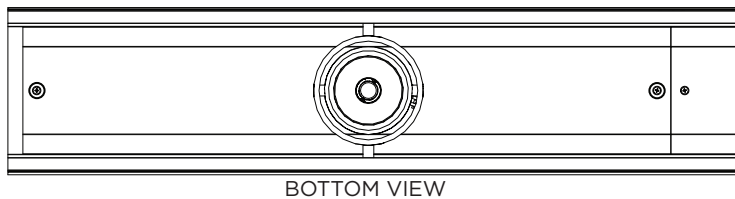


-REMOVE THUMB SCREWS  
-LIFT LED ASSEMBLY FROM GIMBAL

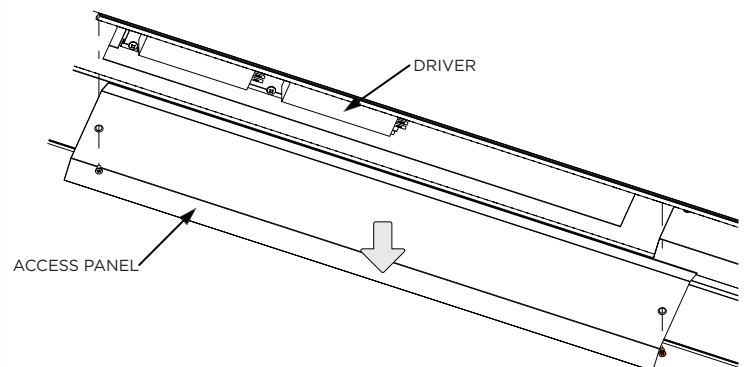


-TWIST AND REMOVE REFLECTOR  
-REPLACE LED

**9 DRIVER SERVICING**



-REMOVE GIMBAL  
-REMOVE ACCESS PANEL FROM HOUSING



-DRIVER IS LOCATED UNDER ACCESS PANEL  
-ONCE DRIVER IS REPLACED, REATTACH  
ACCESS PANEL & GIMBAL TO HOUSING