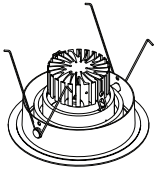
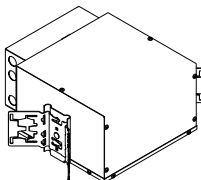
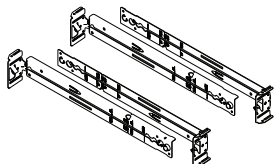






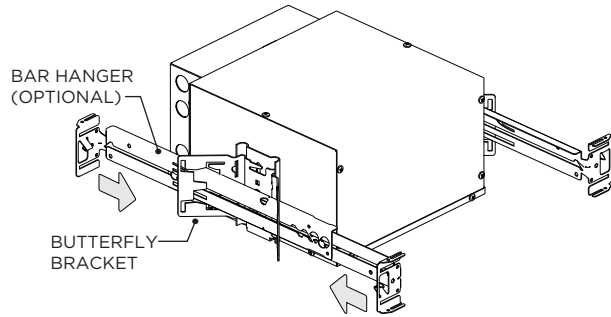


i THE IMAGES SHOWN ARE FOR ILLUSTRATION PURPOSES ONLY AND MAY NOT BE AN EXACT REPRESENTATION OF THE PRODUCT

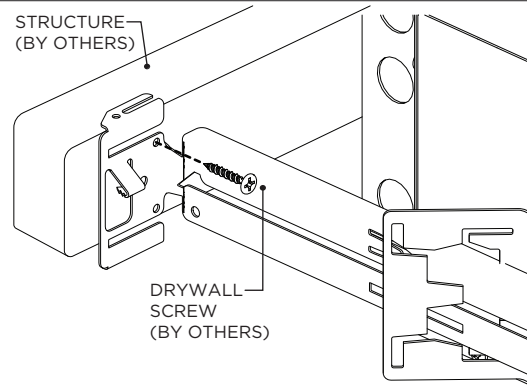
INCLUDED COMPONENTS	
NC/IC - NEW CONSTRUCTION HOUSING (FOR NEW CONSTRUCTION ONLY)	
 <p>LED INSERT</p>	 <p>NEW CONSTRUCTION HOUSING</p>
 <p>BAR HANGERS (OPTIONAL)</p>	

INSTRUCTION KEY	INFORMATION
 ADDITIONAL	INSTALLATION SHOULD ONLY BE PERFORMED BY A CERTIFIED ELECTRICIAN
 ATTENTION	REFER TO LOCAL/NATIONAL CODES FOR PROPER INSTALLATION
 POWER ON	FAILURE TO FOLLOW INSTALLATION INSTRUCTION MAY VOID THE WARRANTY
 POWER OFF	DO NOT TOUCH LEDS. LEDS MUST BE PROTECTED FROM MECHANICAL STRESS OR DEBRIS
	TURN OFF POWER DURING INSTALLATION OR SERVICING

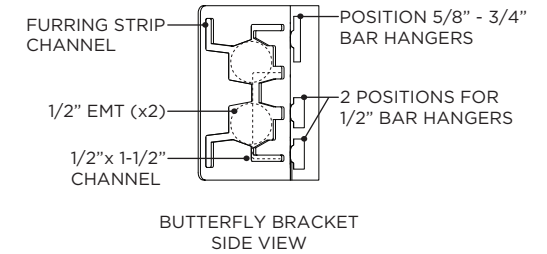
1 BAR HANGER INSTALLATION
(IF SUPPLIED BY 3G)



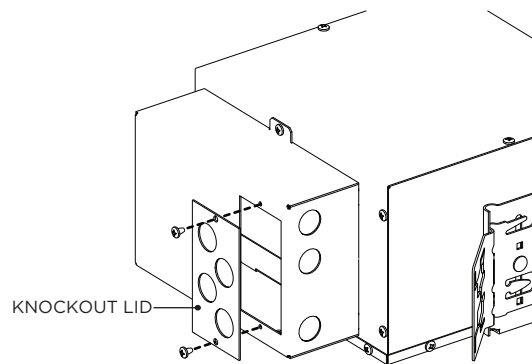
1A



2 OTHER BAR HANGER INSTALLATION
(NOT PROVIDED BY 3G)



3



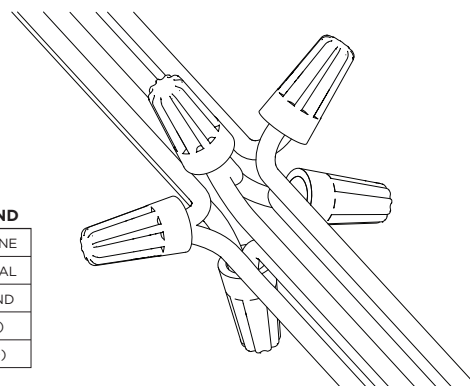
REMOVE ELECTRICAL BOX KNOCKOUT LID TO ACCESS WIRING

3A

WIRING LEGEND

BLACK	HOT/LINE
WHITE	NEUTRAL
GREEN	GROUND
ORANGE	(DIM-)
PURPLE	(DIM+)

MAKE WIRING CONNECTIONS



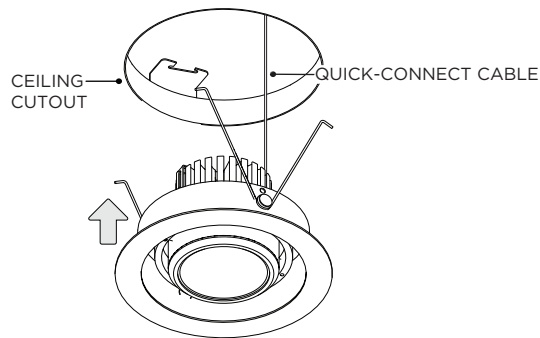
4 CEILING CUTOUT DIMENSIONS



FIXTURE TYPE	CEILING HOLE SIZE
RC1-5RD	Ø5.92
RC1M5-4RD	Ø4.92

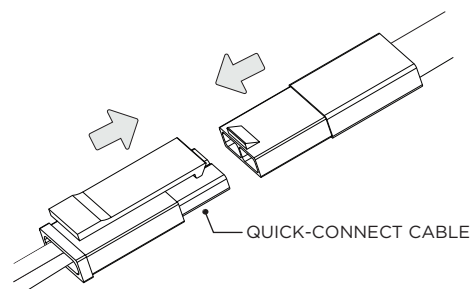
INSTALL CEILING BELOW FIXTURE

5



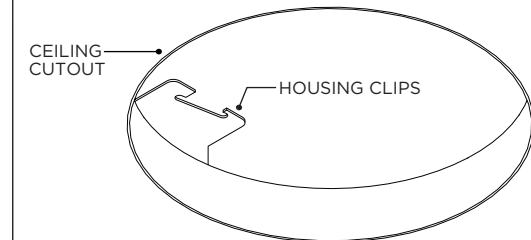
INSERT LED ASSEMBLY INTO CEILING

5A



CONNECT QUICK-CONNECT CABLE TO LED ASSEMBLY

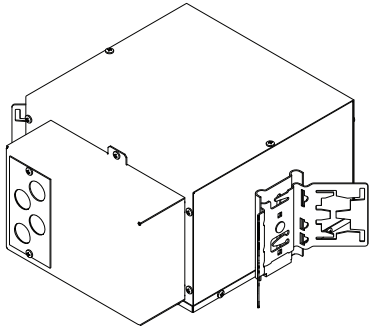
5B



ENGAGE SPRINGS TO HOUSING CLIPS TO SECURE LED INSERT INTO CEILING

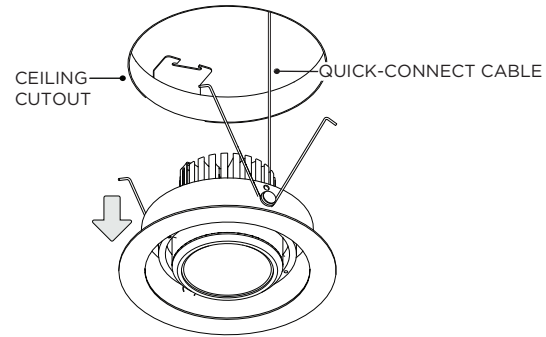
DRIVER SERVICING

1 NC/IC - NEW CONSTRUCTION HOUSING



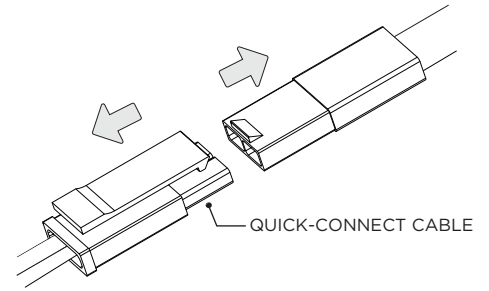
 DISCONNECT POWER BEFORE SERVICING

2



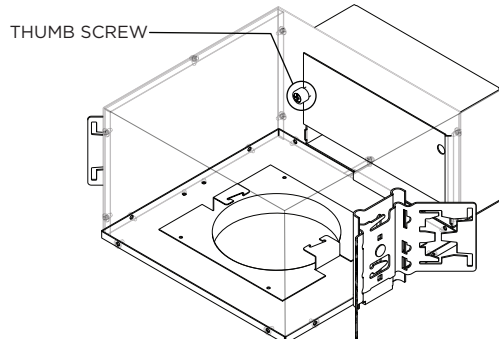
REMOVE LED ASSEMBLY FROM CEILING

2A

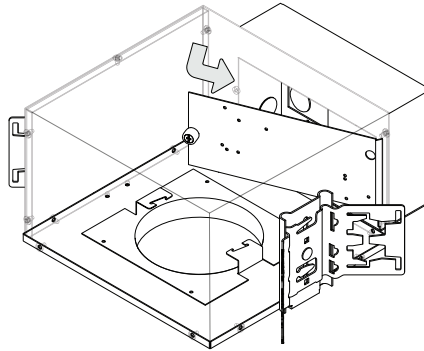


DISCONNECT QUICK-CONNECT CABLE FROM LED ASSEMBLY

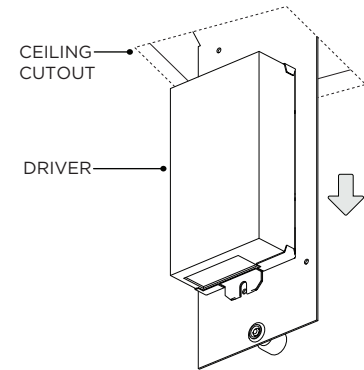
3



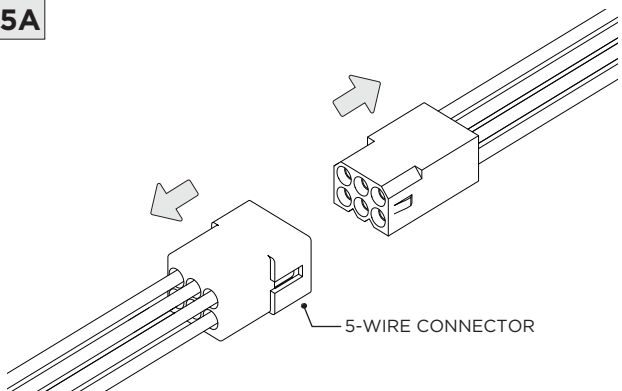
4



5



5A



DISCONNECT 5-WIRE CONNECTOR

LED SERVICING

