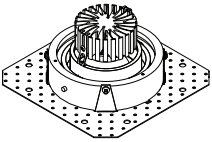
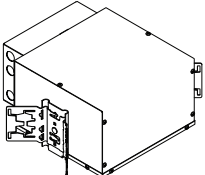
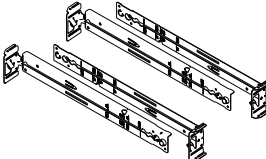








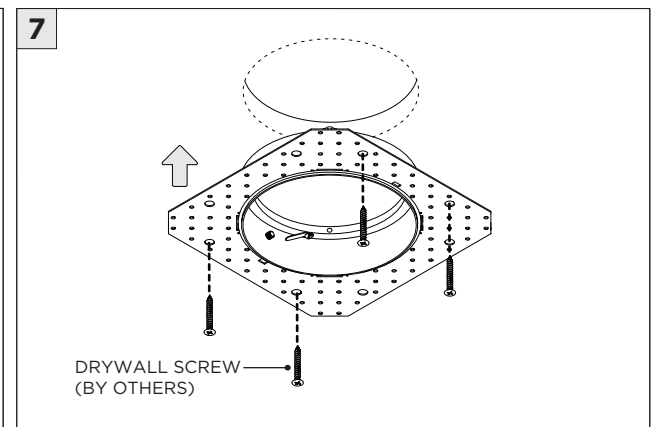
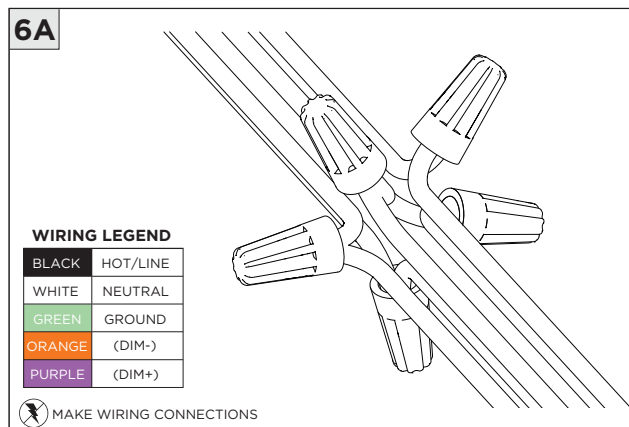
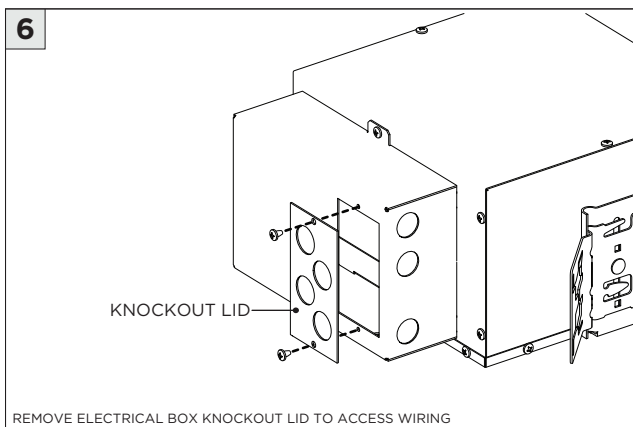
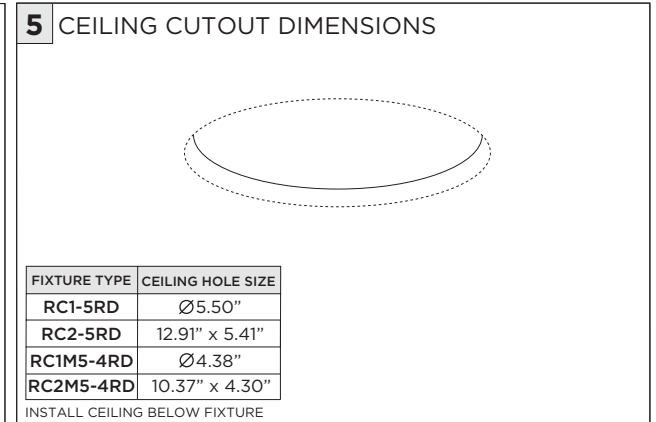
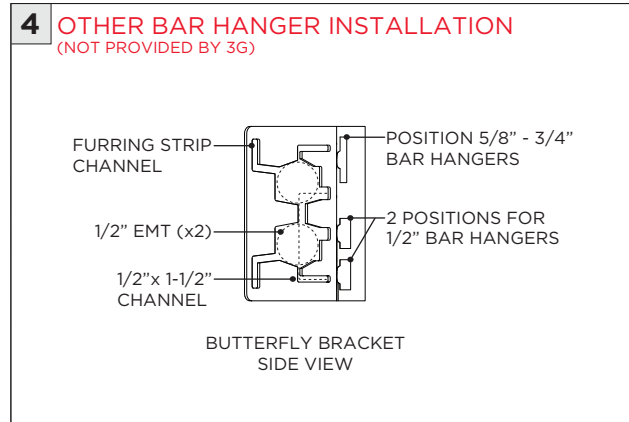
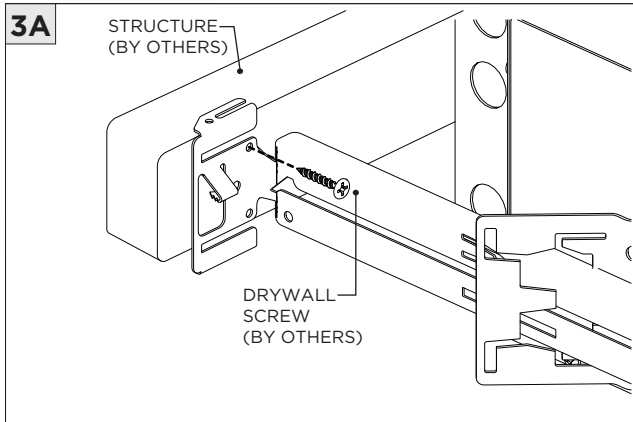
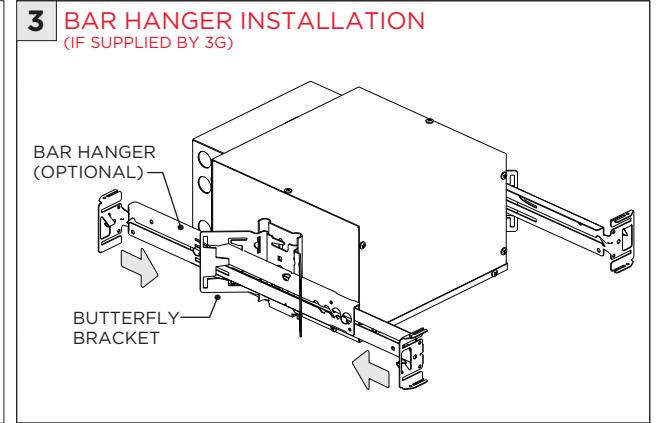
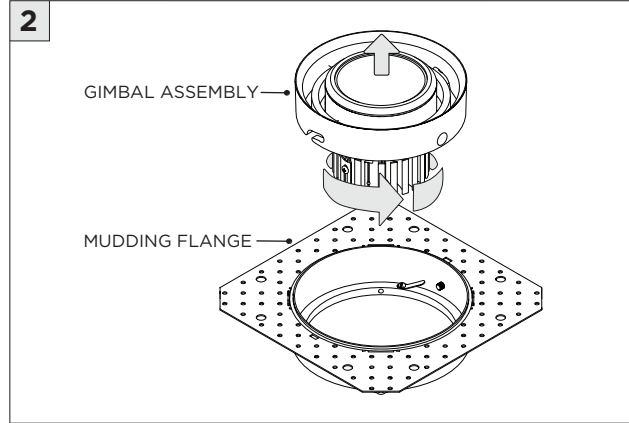
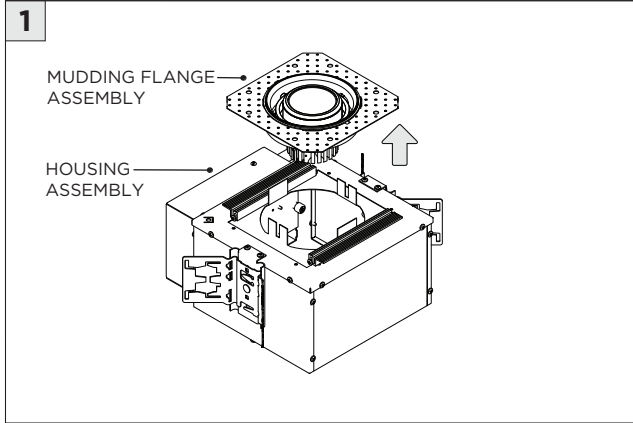
**3G-RC1-5RD, 3G-RC2-5RD**  
**3G-RC1M5-4RD, 3G-RC2M5-4RD**  
 1 LIGHT, 2 LIGHT ROUND MADISON  
 TRIMLESS

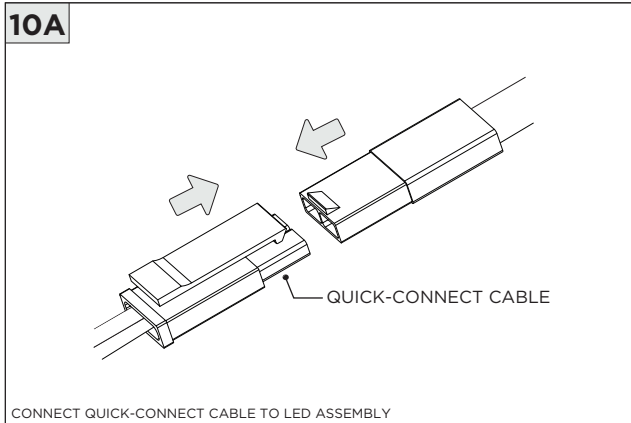
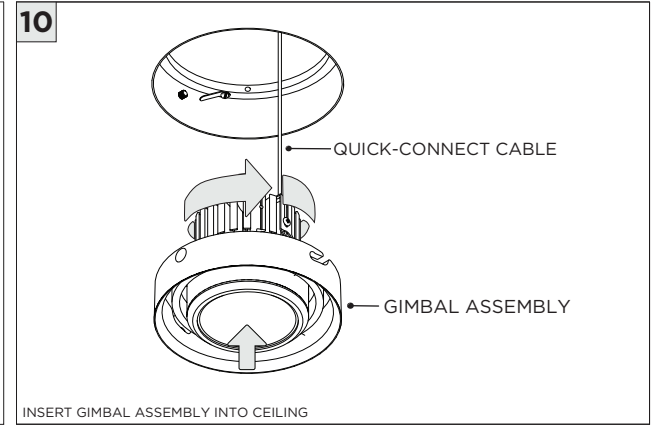
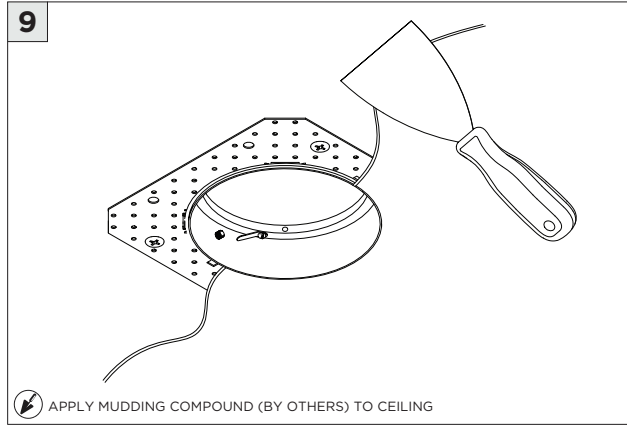
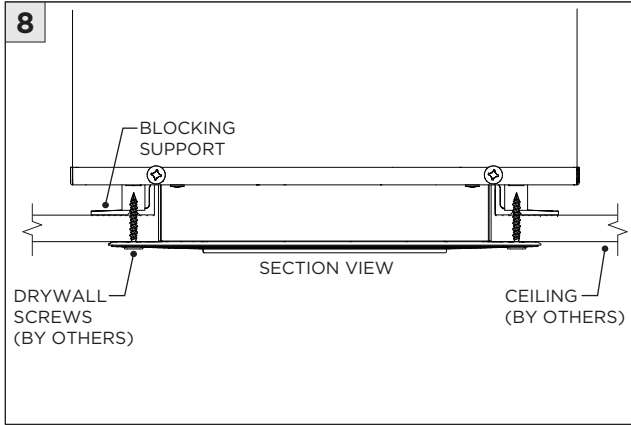


**i** THE IMAGES SHOWN ARE FOR ILLUSTRATION PURPOSES ONLY AND MAY NOT BE AN EXACT REPRESENTATION OF THE PRODUCT

INCLUDED COMPONENTS	
<b>NC/IC - NEW CONSTRUCTION HOUSING (FOR NEW CONSTRUCTION ONLY)</b>	
 <p>LED INSERT (RC1 SHOWN)</p>	 <p>NEW CONSTRUCTION HOUSING (RC1 SHOWN)</p>
 <p>BAR HANGERS (OPTIONAL)</p>	

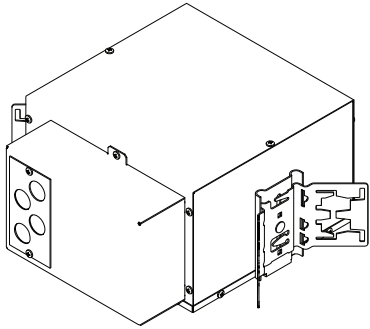
INSTRUCTION KEY	INFORMATION
 ADDITIONAL	INSTALLATION SHOULD ONLY BE PERFORMED BY A CERTIFIED ELECTRICIAN
 ATTENTION	REFER TO LOCAL/NATIONAL CODES FOR PROPER INSTALLATION
 POWER ON	FAILURE TO FOLLOW INSTALLATION INSTRUCTION MAY VOID THE WARRANTY
 POWER OFF	DO NOT TOUCH LEDS. LEDS MUST BE PROTECTED FROM MECHANICAL STRESS OR DEBRIS
	TURN OFF POWER DURING INSTALLATION OR SERVICING





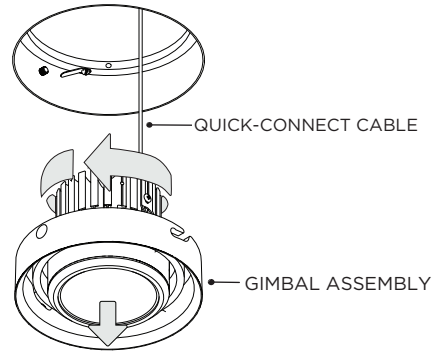
**DRIVER SERVICING**

**1 NC/IC - NEW CONSTRUCTION HOUSING**



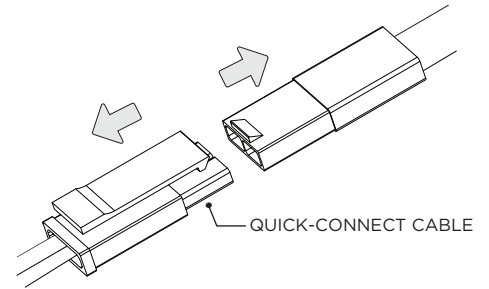
DISCONNECT POWER BEFORE SERVICING

**2**



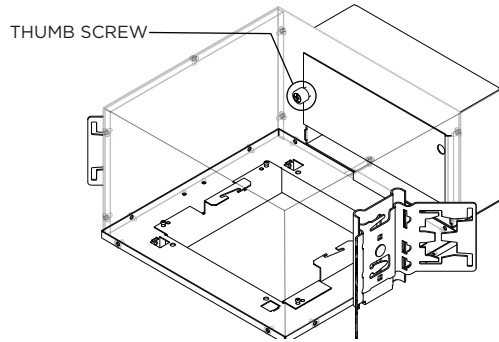
REMOVE GIMBAL ASSEMBLY FROM CEILING

**2A**

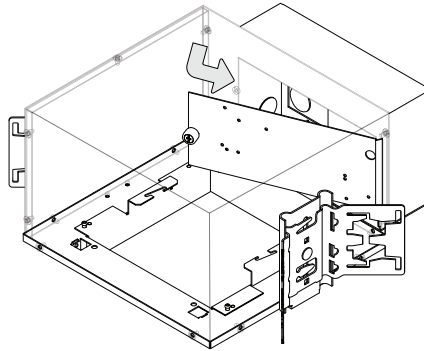


DISCONNECT QUICK-CONNECT CABLE FROM LED ASSEMBLY

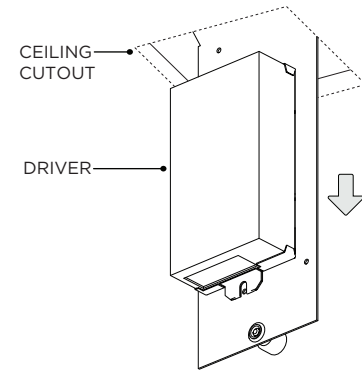
**3**



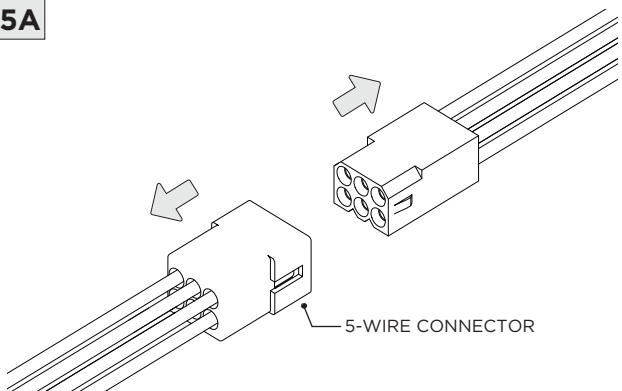
**4**



**5**



**5A**



DISCONNECT 5-WIRE CONNECTOR

**LED SERVICING**

