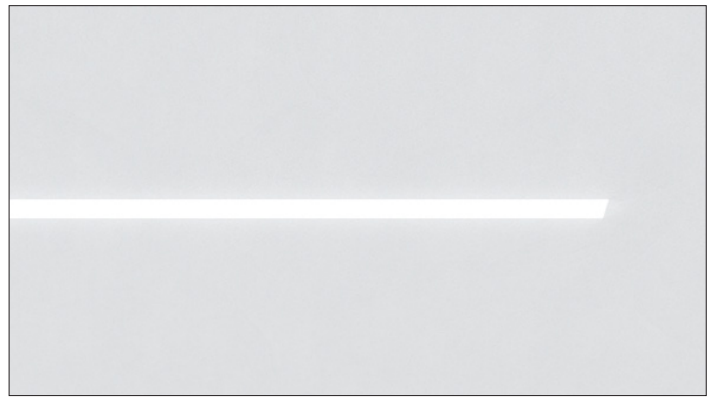


3G LIGHTING

3G-2RLI

2" RECESSED LINEAR
TUNABLE WHITE & RGBW

Narrow 2" aperture with one piece extruded aluminum housing
Individual or continuous runs in multiple run configurations
Suitable for drywall, grid, wood, and various architectural ceilings
LED system with performance up to 119 lumens per watt
Extruded acrylic lens available in flush, 1" and 2" drop lens options
Asymmetric optics available
1% dimming standard with several integral driver options



3GT **3GB**

ORDERING INFORMATION

PROJECT:	<input type="text"/>	TYPE:	<input type="text"/>
CATALOG #:	<input type="text"/>	DATE:	<input type="text"/>

CAT. NO	LED SOURCE	LUMEN OUTPUT	CRI	VOLTAGE
3G-2RLI	TW - TUNABLE WHITE (2700K-6500K)	L250 - LOW OUTPUT (250 LM/FT) ² L500 - MEDIUM OUTPUT (500 LM/FT) L750 - HIGH OUTPUT (750 LM/FT) L1000 - VERY HIGH OUTPUT (1000 LM/FT) ³ LC___ - CUSTOM OUTPUT (SPECIFY LM/FT)*	S80 - 83+ CRI H90 - 93+ CRI ¹	UNV - 120/277V
	RGBW - INFINITE COLOUR ¹ (3500K WHITE)	<p>*Specify custom lumen outputs in 50lm increments (ie: LC600, LC650, LC700) Custom output cannot exceed LC1000 Lumen outputs suitable for white LED source only</p>		

DRIVER	FLANGE TYPE	LENS POSITION	OPTIONS
DO1 - 0-10V (100-0.1%) DALI - DALI (eidoLED, 100-1%) DMX - DMX (eidoLED, 100-0%) ¹ DHLT - LUTRON T SERIES (100-1%) (2 CHANNEL TUNABLE WHITE)	WT - WHITE TRIM XTR - TRIMLESS (MUD-IN DRYWALL) FX - FLANGELESS GCX - GRID CEILING (UNIVERSAL MOUNT)*	FL - FLUSH DD1 - 1" DROP LENS ⁴ DD2 - 2" DROP LENS ⁴ DASY - ASYMMETRIC OPTIC ¹	EMC - EMERGENCY CIRCUIT ⁵ CP - CHICAGO PLENUM
<p>*Universal mounting brackets used for all grid ceiling types only. See mounting section for details</p>			

LENGTH (FEET)

S - ___' (STRAIGHT RUN)*
L - ___'X ___' (L-SHAPE)
U - ___'X ___' X ___' (U-SHAPE)
R - ___'X ___' (RECTANGLE/SQUARE)
T - ___'X ___' (T-SHAPE)
X - ___'X ___' (X-SHAPE)
CUS - ___ (CUSTOM LAYOUT - PROVIDE DRAWING)

* Individual units available from 2' to 8'
2' not available for grid ceiling version
Continuous runs available in 1' increments only

- ¹ RGBW LED source available with S80 (83+CRI) and DMX driver option only. Not available with asymmetric optic or EM options
² L250 (250LM/FT) not available in 2' and 3' lengths. Specify LC400 for 2' and 3' fixture lengths when outputs lower than 500LM/FT are required
³ L1000 (1000LM/FT) not available for H90 (93+ CRI)
⁴ DD1 (1" drop lens) and DD2 (2" drop lens) available with straight run type only
⁵ EMC (emergency circuit) options available for tunable white LED source only. Not available with RGBW

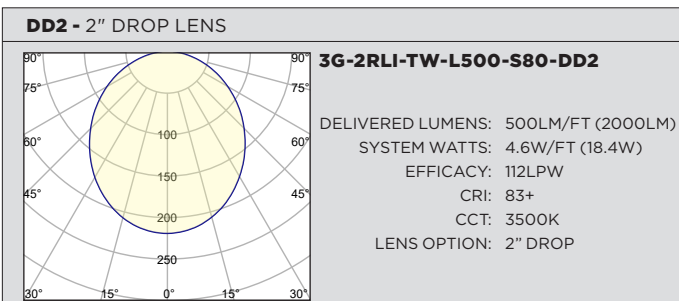
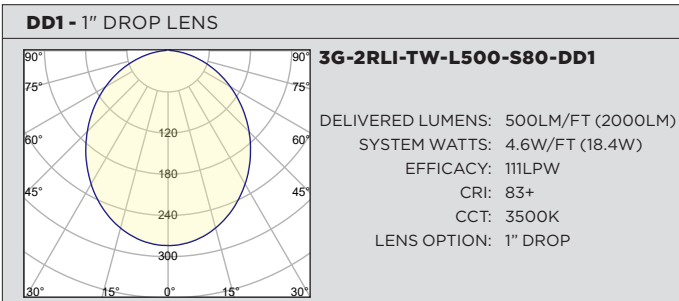
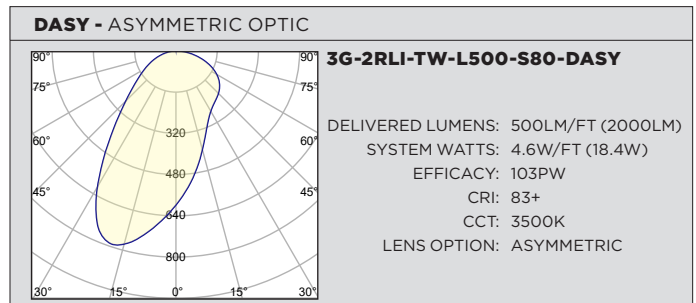
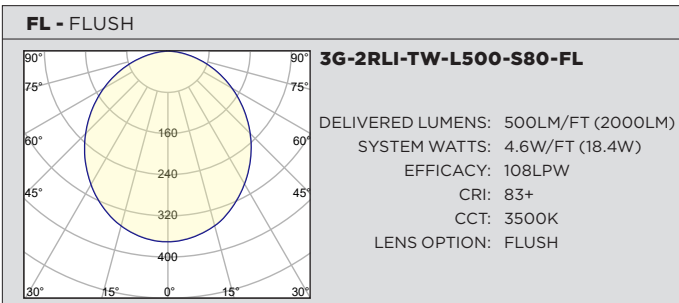
3GT - Tunable White
3GB - RGBW

JANUARY 2, 2024

PERFORMANCE CHART BASED ON 4' LENGTH WITH FLUSH LENS (TUNABLE WHITE AND 83+ CRI)

COLOR TEMP	DELIVERED LUMENS (LM/FT)	SYSTEM WATTS (W/FT)	EFFICACY (LPW)
2700K	250	2.3	104
	500	4.6	100
	750	7.0	99
	1000	9.7	98
3500K	250	2.3	111
	500	4.6	108
	750	7.0	105
	1000	9.7	102
6500K	250	2.3	119
	500	4.6	118
	750	7.0	113
	1000	9.7	107
EFFICACY (LPW) ADJUSTMENT FACTOR	CRI	Multiplier	
	93+	0.88	

PHOTOMETRY BASED ON 4' LENGTH (83+ CRI AND 3500K SOURCE)

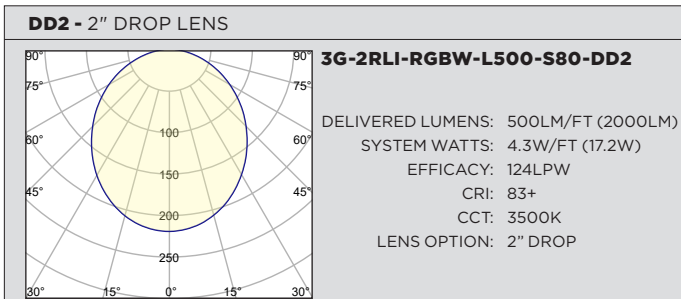
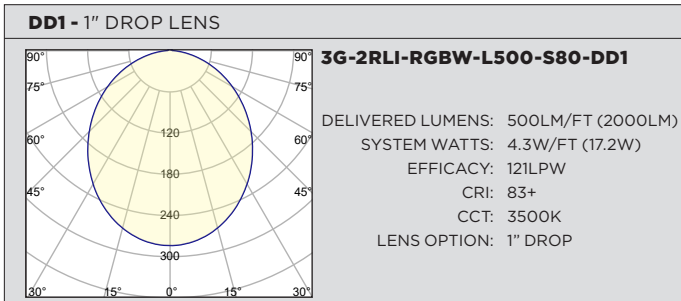
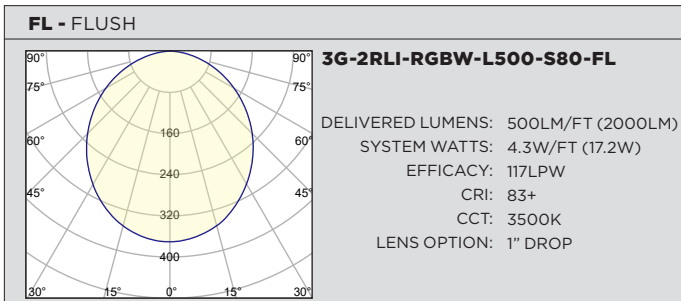


PERFORMANCE CHART BASED ON 4' LENGTH (RGBW WITH 83+ CRI AND 3500K SOURCE)

COLOR TEMP	DELIVERED LUMENS (LM/FT)	SYSTEM WATTS (W/FT)	EFFICACY (LPW)
3500K	250	2.1	119
	500	4.3	117
	750	7.0	107
	1000	10.3	98

LUMINOUS INTENSITY PER LED	RGB	INTENSITY Min - Max (mcd)
	RED	355 - 805
	GREEN	710 - 1400
	BLUE	140 - 355

PHOTOMETRY BASED ON 4' LENGTH (83+ CRI AND 3500K SOURCE)



TECHNICAL**HOUSING**

Extruded aluminum housing with narrow 2" aperture
Individual units and continuous runs available in 1' increments
Trim flange with matte white powder coated finish and minimal 0.400" overlap
Trimless model features a satin coat mudding flange for seamless ceiling
24-gauge LED reflector with high reflectance white powder coated finish
Standard polyester powder coated matte white finish

OPTICS

Extruded, satin acrylic lens designed for optimal performance and glare control. Up to 8' continuous
Lens options include flush, 1" and 2" drops with illuminated end caps for all drop lenses
High performance asymmetric optics available

ELECTRICAL

Luminaires are pre-wired with factory installed quick connects and branch circuit wiring
Multiple driver options available for tunable white LED system
DMX driver option for RGBW system with RDM control and 100-0% dimming range
All drivers are integral and easily accessible through luminaire aperture

LED SYSTEM FOR TUNABLE WHITE (TW)

Proprietary LED system with color consistency <3 SDCM
2700K-6500K CCT range
Standard 83+CRI. Optional 93+CRI. (R9 value of 56 for 93+CRI)
L90 >60,000 hours
5 Year Warranty

LED SYSTEM FOR RGBW

Proprietary LED system with color consistency <3 SDCM
White LED available in 35K with 83+ CRI
L80 >72,000 hours
Red (335-805 mcd)
Green (710-1400 mcd)
Blue (140-355 mcd)
5 Year Warranty

MOUNTING

Housing suspended via 1/4" threaded rod or suspension cables (by others)
Toolless installation with 3G's proprietary mounting system
Internal, toolless joiner system (latch and hook) easily connects multiple sections together
LED reflectors remain within each fixture section during installation with 3G's click and lock spring system
Trim fixture designed for use in drywall, wood, and other architectural ceiling materials
Trimless fixture designed for use in drywall, mud-in ceiling applications
Flangeless fixture designed for use in wood ceilings
Suitable for various grid ceiling applications (see mounting details)
Fixture weight: +/- 2.5 lbs/ft

LISTING

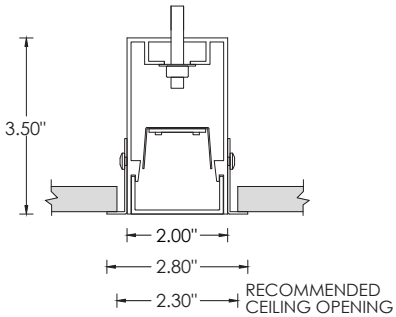
ETL listed and tested to cUL standards. Suitable for dry and damp locations

WARRANTY

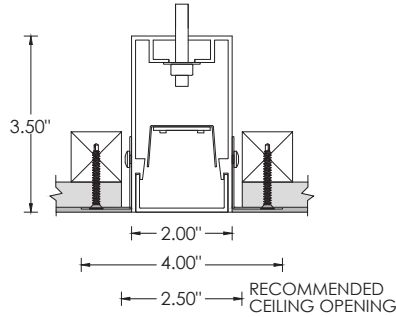
5 Year Warranty on LED and drivers
Manufacturer 1 Year Warranty for defects in material and workmanship under normal use
Ambient temperature at fixture should not exceed 25°C

DRAWINGS AND DIMENSIONS HARD CEILING

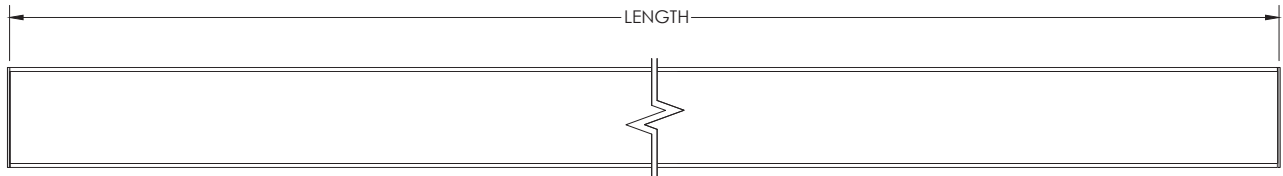
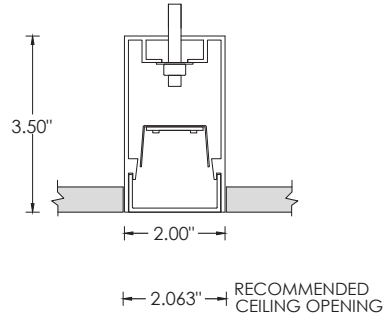
WT - TRIM



XTR - TRIMLESS



FX - FLANGELESS



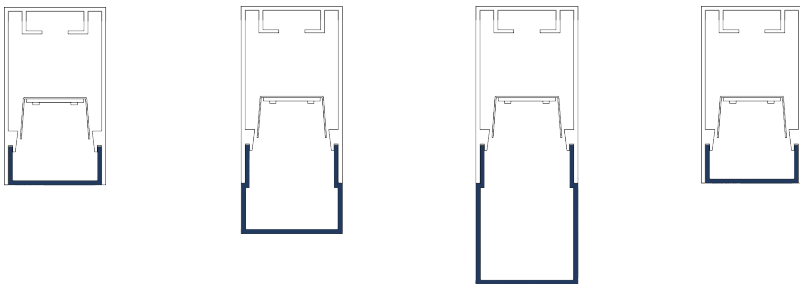
LENS OPTION

FL - FLUSH

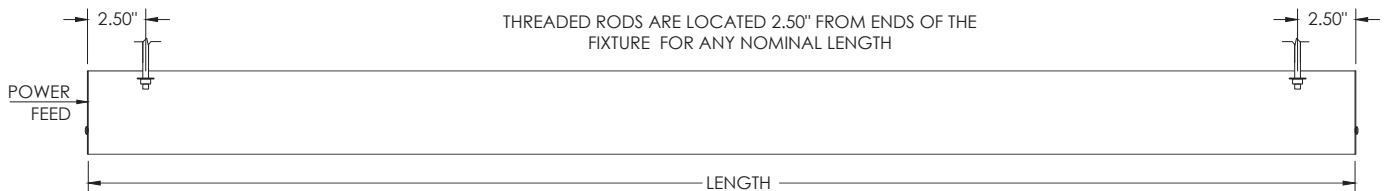
DD1 - 1" DROP

DD2 - 2" DROP

DASY - ASYMMETRIC

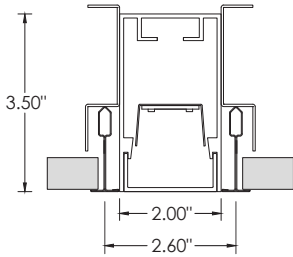


MOUNTING DETAILS HARD CEILING

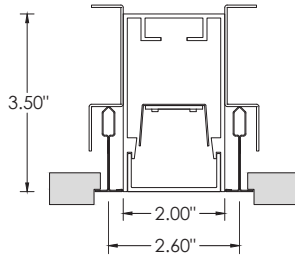


DRAWINGS AND DIMENSIONS GRID CEILING

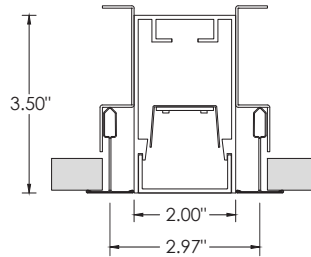
9L - 9/16" LAYIN



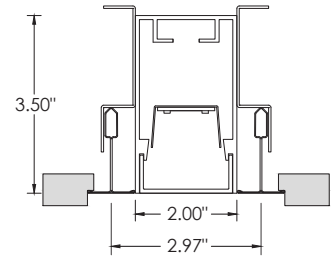
9TG - 9/16" TEGULAR



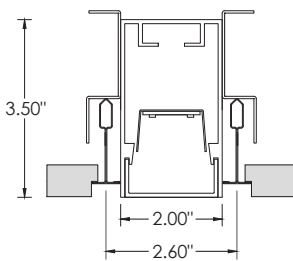
15L - 15/16" LAYIN



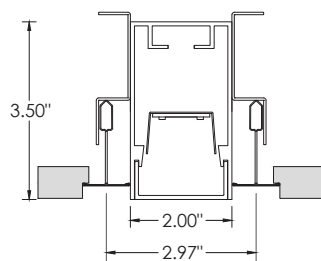
15TG - 15/16" TEGULAR



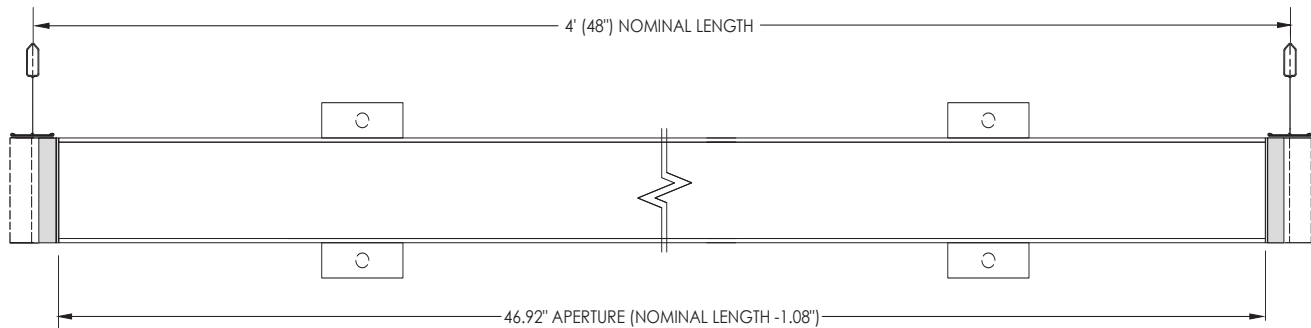
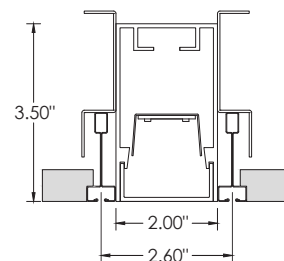
9TP - 9/16" TEGULAR



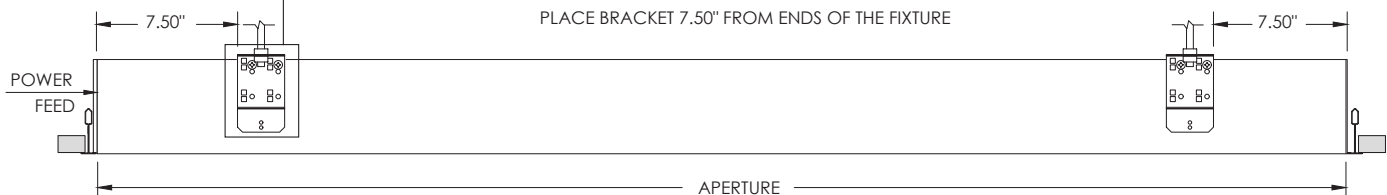
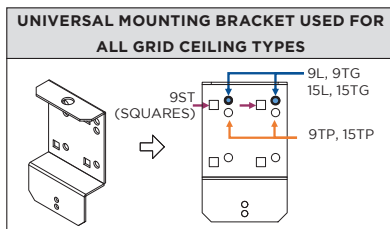
15TP - 15/16" TEGULAR



9ST - 9/16" SLOT TEE TEGULAR

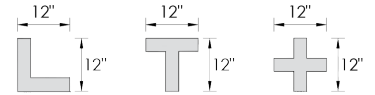


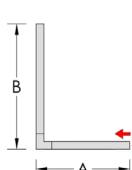
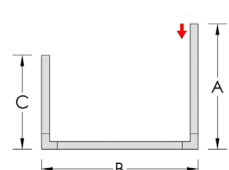
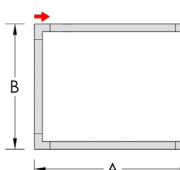
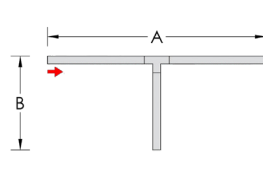
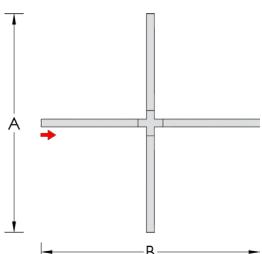
MOUNTING DETAILS GRID CEILING



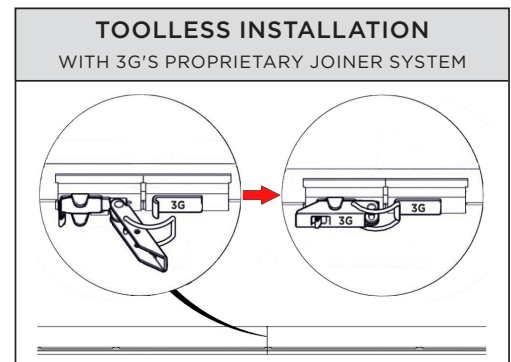
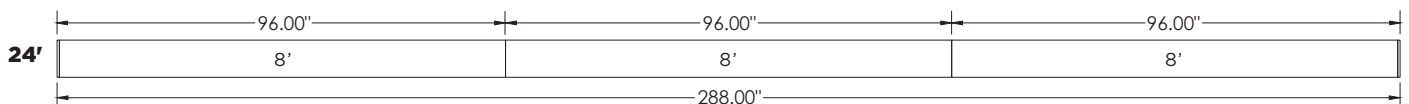
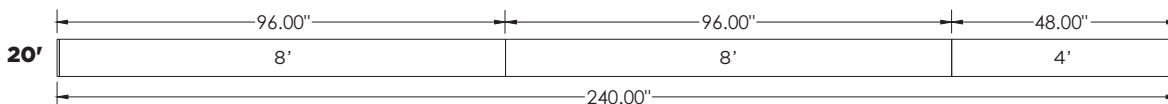
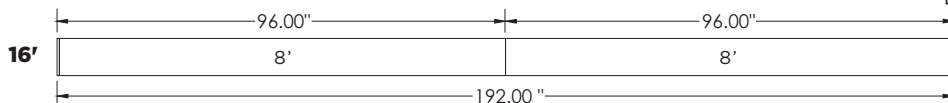
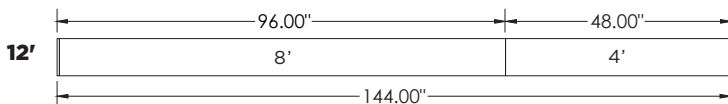
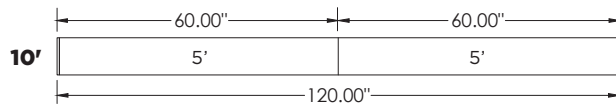
PATTERNS

Specify pattern shape and overall dimensions as shown below
 Patterns are connected with fully illuminated 12"x12" L, T, and X-shaped sections
 Please consult factory for custom patterns and shapes not shown below



L-SHAPE	U-SHAPE	RECTANGLE/SQUARE	T-SHAPE	X-SHAPE
Provide dimensions of AxB Example: L - 6'x8'	Provide dimensions of AxBxC Example: U - 8'x10'x6'	Provide dimensions of AxB Example: R - 10'x8'	Provide dimensions of AxB Example: T - 14'x6'	Provide dimensions of AxB Example: X - 14'x14'
				

TYPICAL SECTION MOUNTING (AVAILABLE IN 1' INCREMENTS AS STANDARD)



NOTE:

Run lengths and configurations not shown are available in 1' increments as standard. Please contact 3G for 1" increments