



3G-2RLI
 2" RECESSED LINEAR
 TRIM, TRIMLESS & FLANGELESS

Narrow 2" aperture with one piece extruded aluminum housing
 Individual or continuous runs available in multiple run configurations
 Suitable for drywall, wood, and various architectural ceiling
 Extruded acrylic lens available in flush, 1" and 2" drop lens options
 All drop lens options feature illuminated end caps
 1% dimming standard with several driver options



ORDERING INFORMATION

PROJECT:	<input type="text"/>	TYPE:	<input type="text"/>
CATALOG #:	<input type="text"/>	DATE:	<input type="text"/>

CAT. NO	LUMEN OUTPUT	CRI	COLOR TEMP	VOLTAGE	DRIVER
3G-2RLI	L250 - LOW OUTPUT (250 LM/FT) ¹	S80 - 80+ CRI (STANDARD)	27K - 2700K	UNV - 120/277V 347 - 347V (0-10V ONLY)	DIM - 0-10V (STANDARD 100-1%)
	L500 - MEDIUM OUTPUT (500 LM/FT)		30K - 3000K		DHL2 - LUTRON HI-LUME LDE (100-1% ECOSYSTEM)
	L750 - HIGH OUTPUT (750 LM/FT)	H90 - 90+ CRI	35K - 3500K	DALI - DALI (100-1%)	
	L1000 - VERY HIGH OUTPUT (1000 LM/FT) ²		40K - 4000K	DO1 - 0-10V (100-0.1%)	
	LC - CUSTOM OUTPUT (SPECIFY LM/FT)				

FLANGE TYPE	LENS OPTION	OPTIONS	LENGTH (FEET)
WT - WHITE TRIM	FL - FLUSH DD1 - 1" DROP LENS DD2 - 2" DROP LENS DASY - ASYMMETRIC OPTIC	EMC - EMERGENCY CIRCUIT CP - CHICAGO PLENUM	S - ___' (STRAIGHT RUN)*
XTR - TRIMLESS			L - ___' X ___' (L-SHAPE)
FX - FLANGELESS			U - ___' X ___' X ___' (U-SHAPE)
			R - ___' X ___' (RECTANGLE/SQUARE)
			T - ___' X ___' (T-SHAPE)
			X - ___' X ___' (X-SHAPE)
			CUS - ___ (CUSTOM LAYOUT)

* Individual units available in 2' through 8'
 2' fixtures not available for grid ceiling applications
 Continuous runs available in 1' increments

¹ L250 (250LM/FT) not available in 2' and 3' lengths
 (Please specify LC400 for 2' and 3' fixture length when outputs lower than 500LM/FT are required)
² L1000 (1000LM/FT) not available for H90 (93+ CRI)





3G-2RLI

LIGHTING 2" RECESSED LINEAR - TRIM, TRIMLESS & FLANGELESS

PERFORMANCE CHART Based on 4' length (83+ CRI and 3500K)

LENS OPTION	DELIVERED LUMENS (PER FOOT)	SYSTEM WATTS	EFFICACY (LM/W)
FLUSH	250	1.9	130
	500	4.4	114
	750	7.1	105
	1000	9.9	102
1" DROP LENS	250	1.9	134
	525	4.4	117
	750	7.1	106
	1000	9.9	102
2" DROP LENS	275	1.9	131
	550	4.4	132
	775	7.1	126
	1025	9.9	121
ASYMMETRIC	250	1.9	131
	500	3.8	132
	750	6.0	126
	1000	8.4	121

LUMEN OUTPUT ADJUSTMENT FACTORS	CCT	Multiplier
	2700K	0.94
	3000K	0.97
	3500K	1.00
4000K	1.01	
EFFICACY (LPW) ADJUSTMENT FACTOR	CRI	Multiplier
	93+	0.88



3G-2RLI

LIGHTING 2" RECESSED LINEAR - TRIM, TRIMLESS & FLANGELESS

TECHNICAL

HOUSING

Extruded aluminum housing with narrow 2" aperture
Individual units and continuous runs available in 1' increments
Trim flange with matte white powder coated finish and minimal 0.375" overlap
Trimless model features a satin coat mudding flange
24 gauge LED reflector with high reflectance white powder coated finish
Extruded acrylic lens with a satin finish designed for optimal performance and glare control
Lens options available in flush, 1" drop and 2" drop
Standard polyester powder coated matte white finish

ELECTRICAL

Standard 0-10V, 100-1% dimming and 0.9 power factor
Standard 120/277V universal voltage drivers. Optional 347V 0-10V driver
Lutron EcoSystem and eLdoLED Dali options available with 100-1% dimming
All drivers are integral and easily accessible through the aperture
Integral Emergency Battery: 90 minutes

LED SYSTEM

Proprietary LED system
Color consistency < 3 SDCM
Standard (80+CRI). Optional (90+CRI)
Available in 27K, 30K, 35K, and 40K
Average rated life of > 50,000 hours
5 year warranty

MOUNTING

Housing suspended via 1/4" threaded rod or suspension cables
Trim fixture designed for use in drywall, wood, and other architectural ceiling materials
Trimless fixture designed for use in drywall, mud-in ceiling applications
Flangeless fixture designed for use in wood ceilings

LISTING

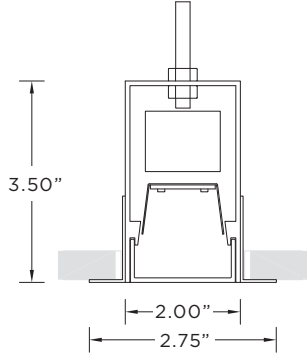
ETL listed and tested to UL standards. Suitable for dry and damp locations

WARRANTY

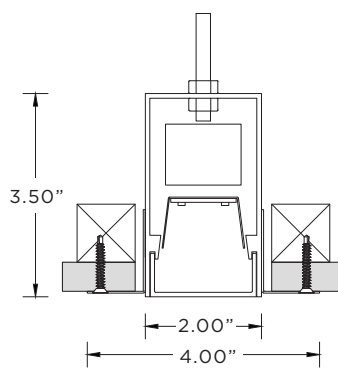
5 Year warranty on LED and drivers
Manufacturer 1 year warranty for defects in material and workmanship under normal use
Ambient temperature at fixture should not exceed 25°C

DRAWINGS AND DIMENSIONS

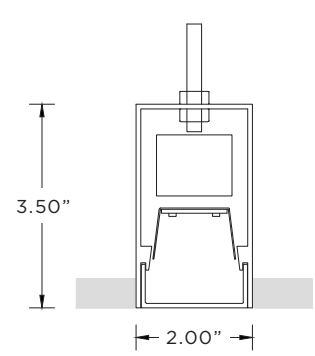
WT - TRIM



XTR - TRIMLESS

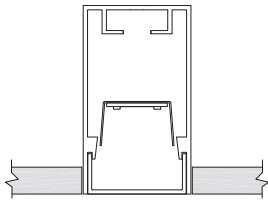


FX - FLANGELESS

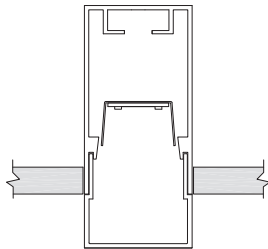


LENS OPTION

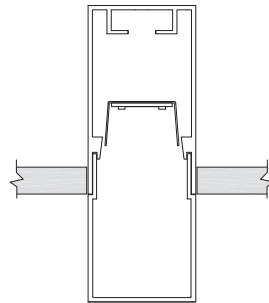
FLUSH LENS



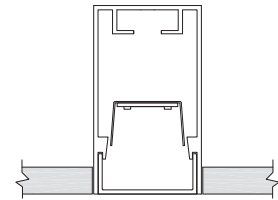
1" DROP LENS



2" DROP LENS

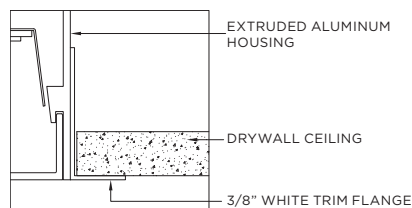


ASYMMETRIC OPTIC

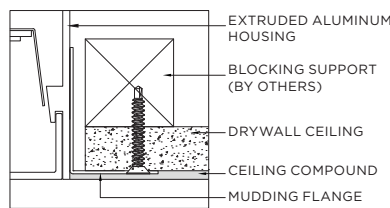


MOUNTING

WT - TRIM



XTR - TRIMLESS



FX - FLANGELESS

