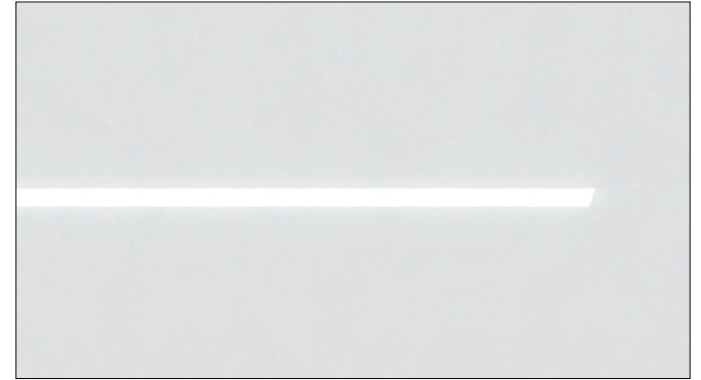




3G-1RLI, 3G-2RLI, and 3G-4RLI
1.5", 2", and 3.5" RECESSED LINIA
 TRIMLESS FLANGE

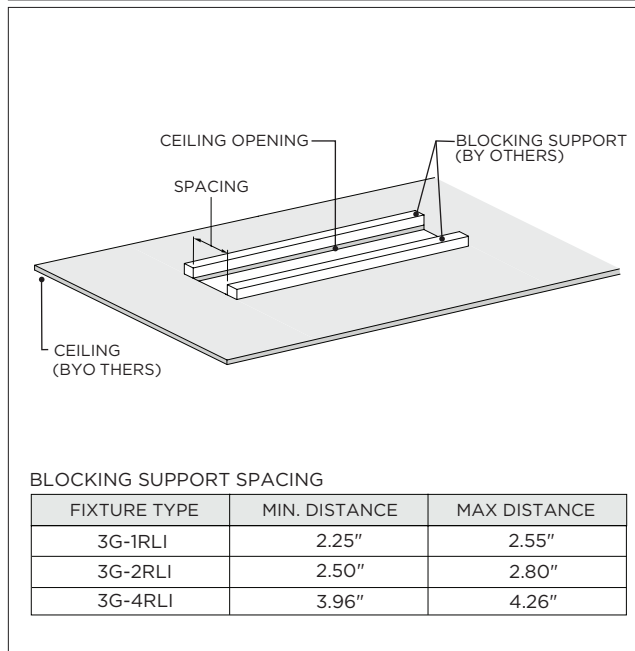
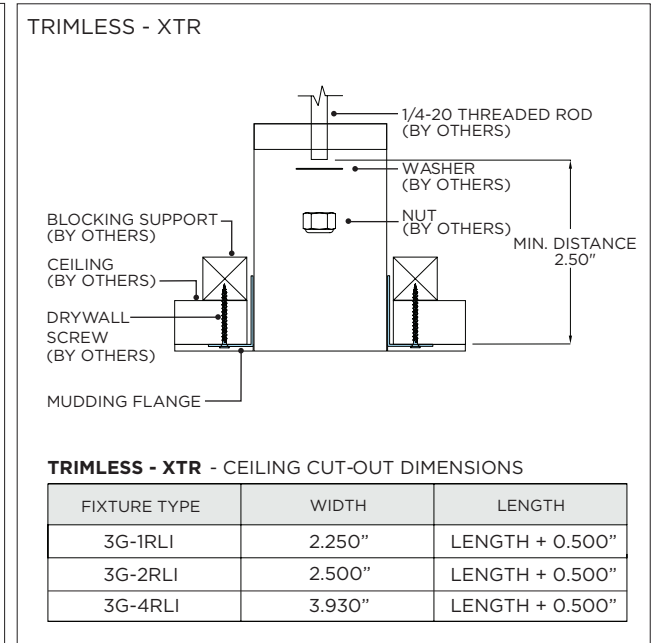
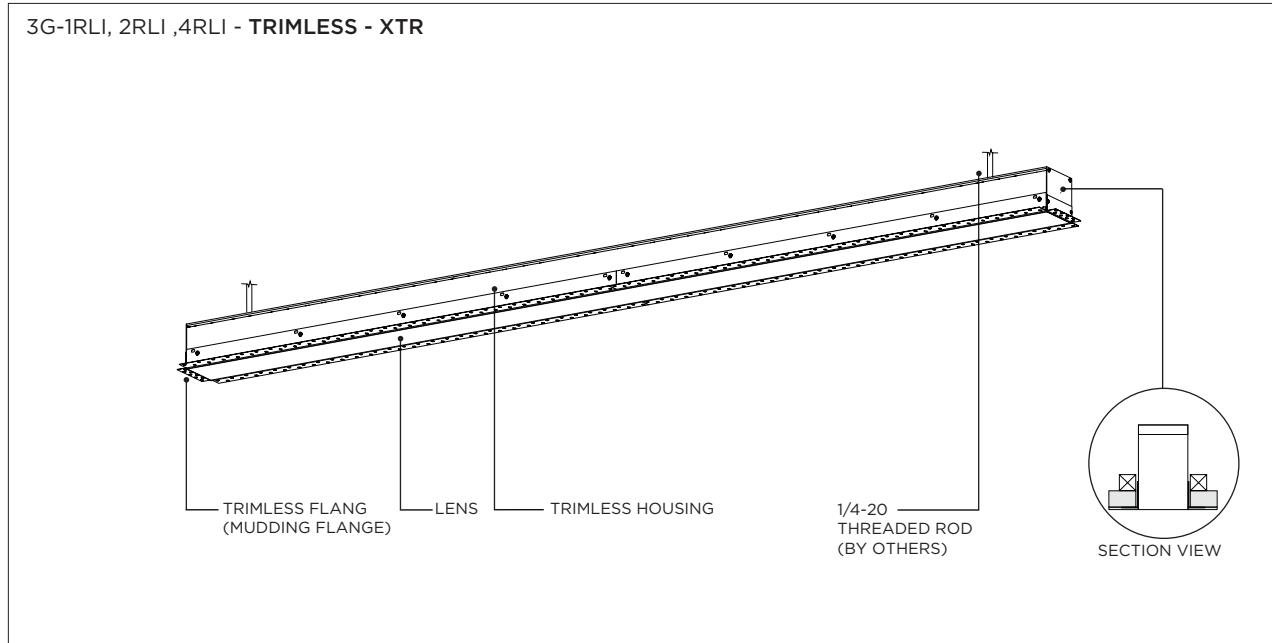


⚠ FOR NEW CONSTRUCTION INSTALLATION ONLY

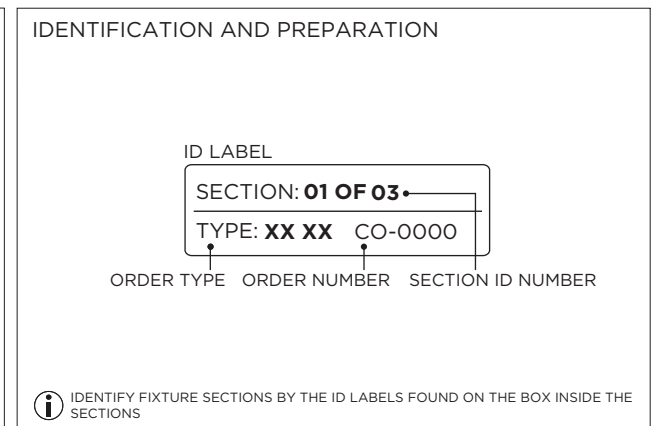
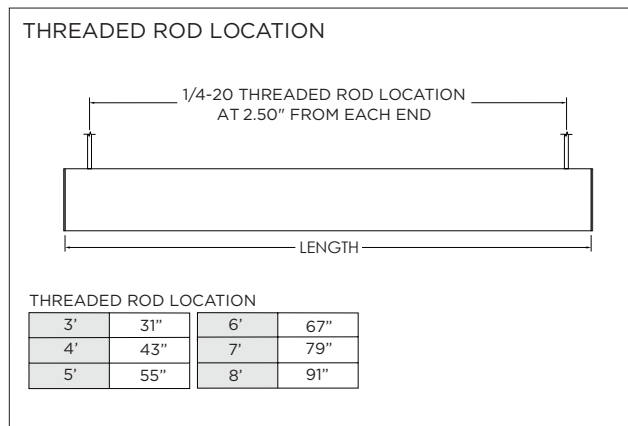
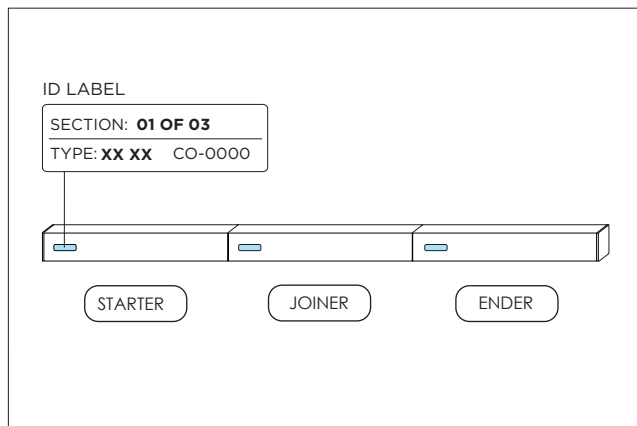
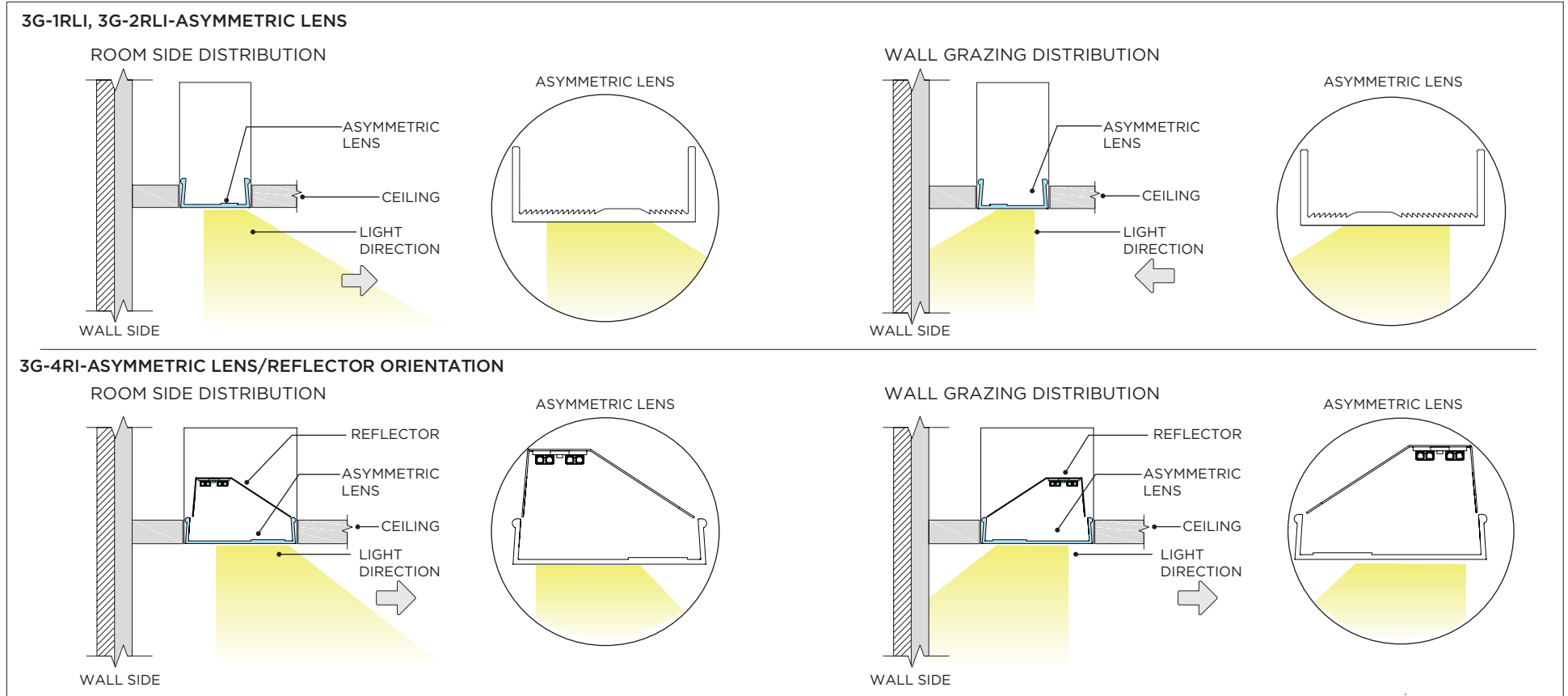
FIXTURE TYPES			INCLUDED COMPONENTS	
<p>1RLI PROFILE</p>	<p>2RLI PROFILE</p>	<p>4RLI PROFILE</p>	<p>Standalone Fixtures (2' to 8')</p>	
<p>Continuous Runs (9' to 16')</p>			<p>Continuous Runs (17' and longer)</p>	

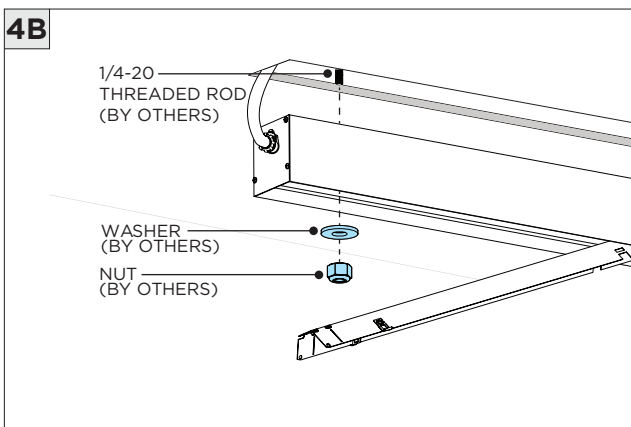
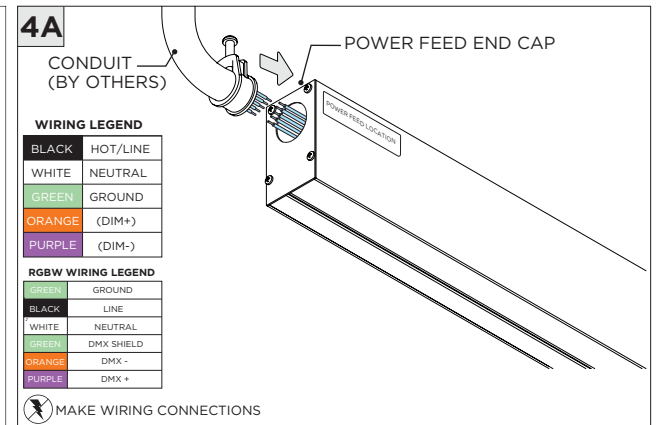
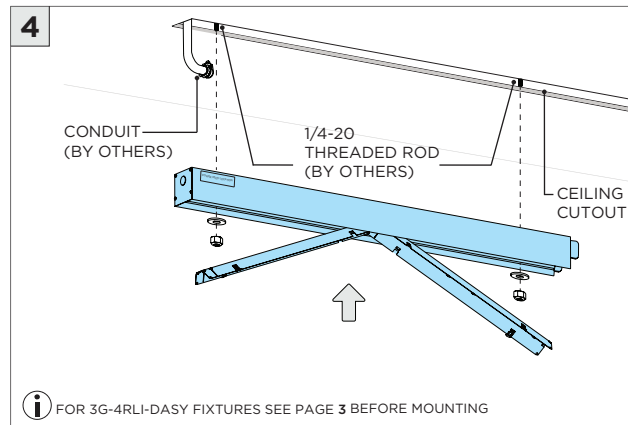
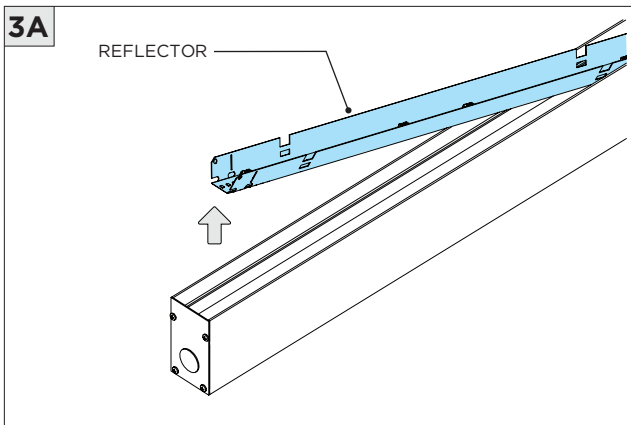
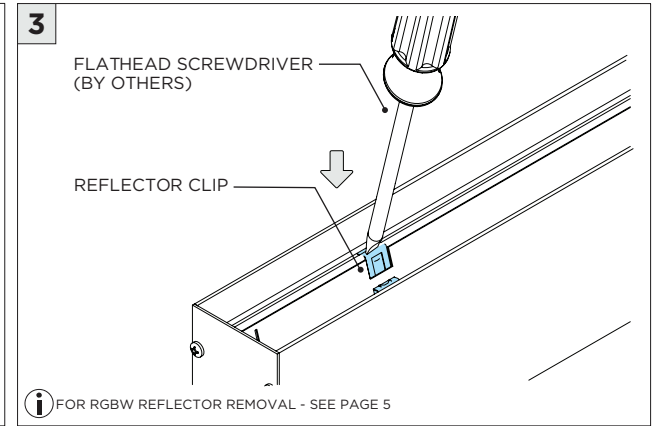
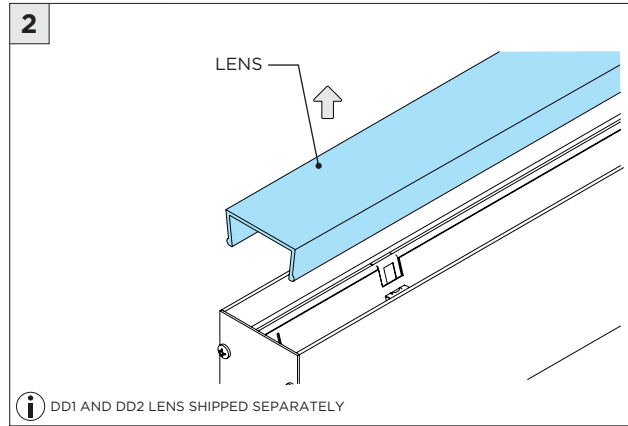
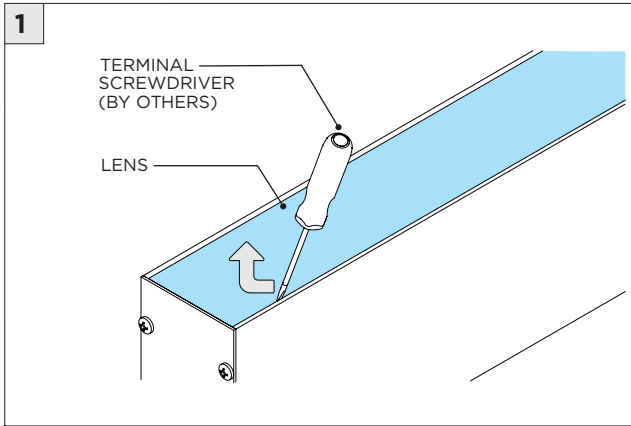
INSTRUCTION KEY	INFORMATION
⚠ ADDITIONAL	INSTALLATION SHOULD ONLY BE PERFORMED BY A CERTIFIED ELECTRICIAN
ⓘ ATTENTION	REFER TO LOCAL/NATIONAL CODES FOR PROPER INSTALLATION
⚡ POWER ON	FAILURE TO FOLLOW INSTALLATION INSTRUCTION MAY VOID THE WARRANTY
ⓧ POWER OFF	DO NOT TOUCH LEDS. LEDS MUST BE PROTECTED FROM MECHANICAL STRESS OR DEBRIS
	TURN OFF POWER DURING INSTALLATION OR SERVICING

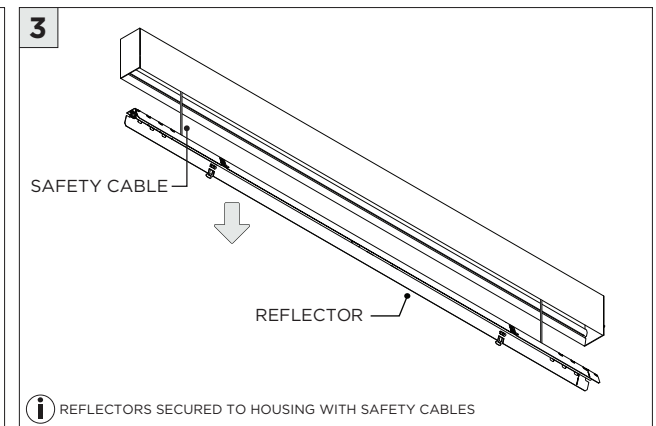
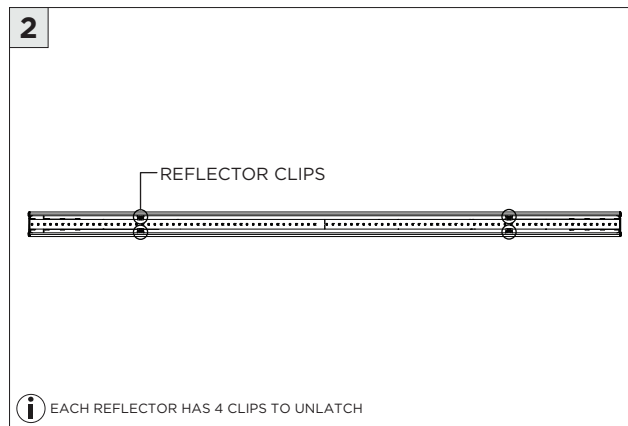
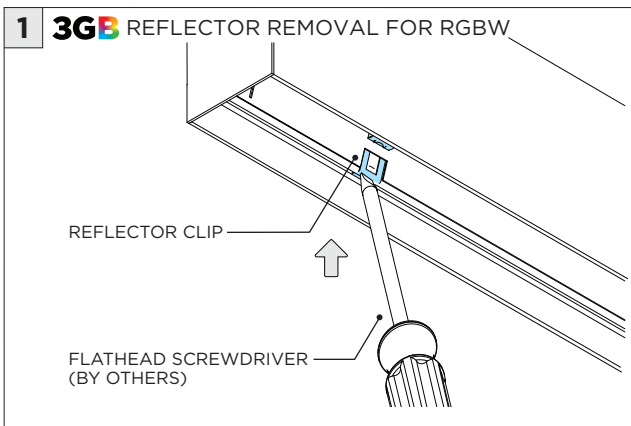
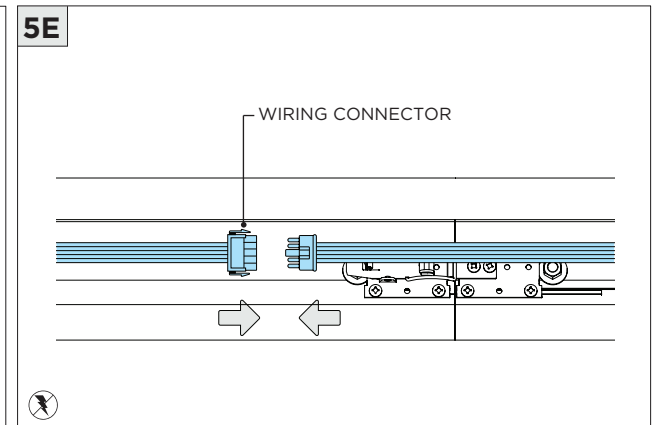
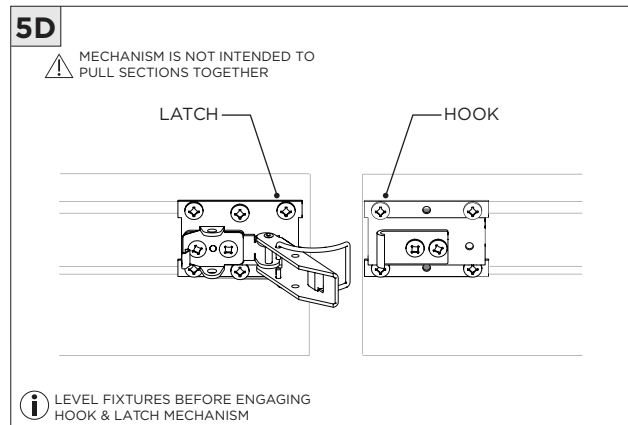
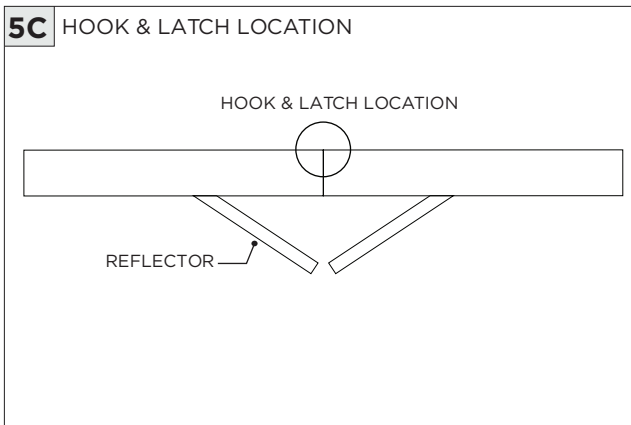
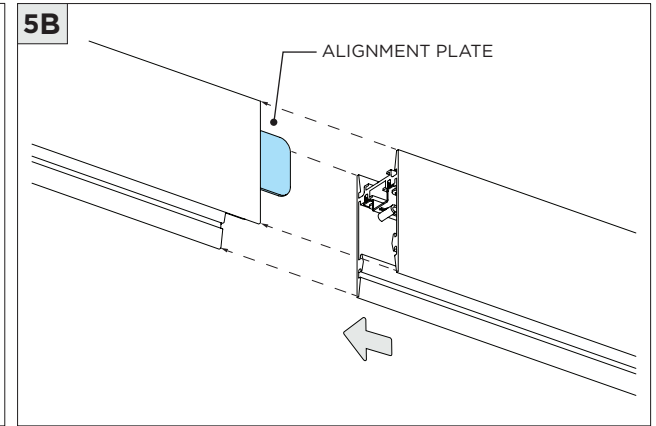
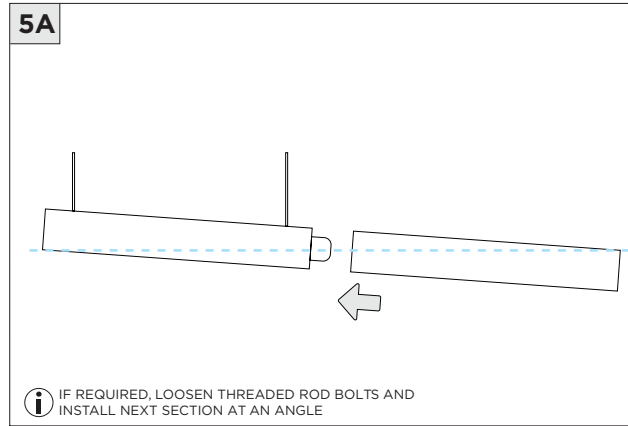
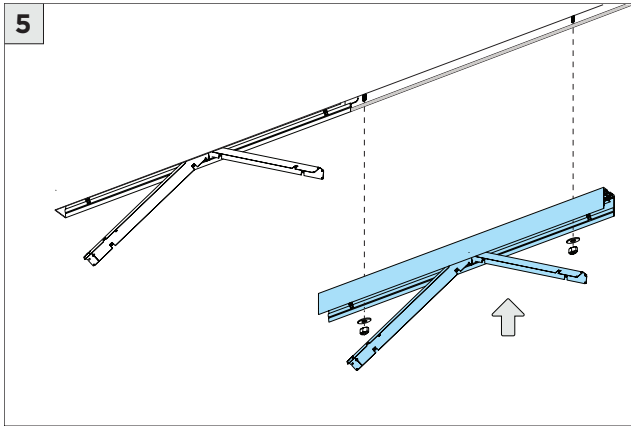
OVERVIEW

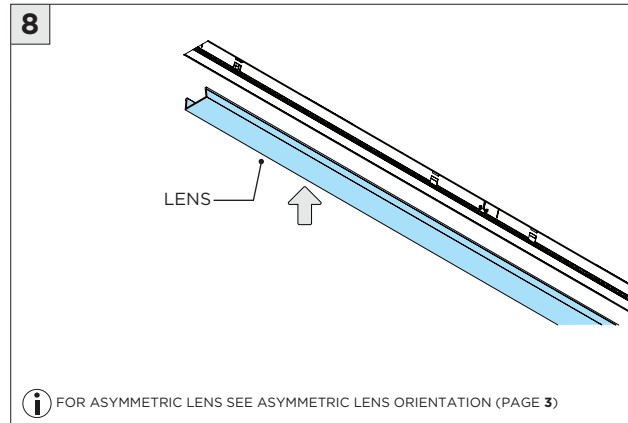
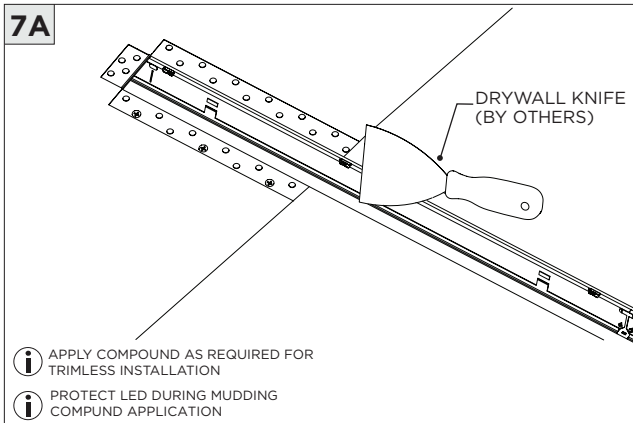
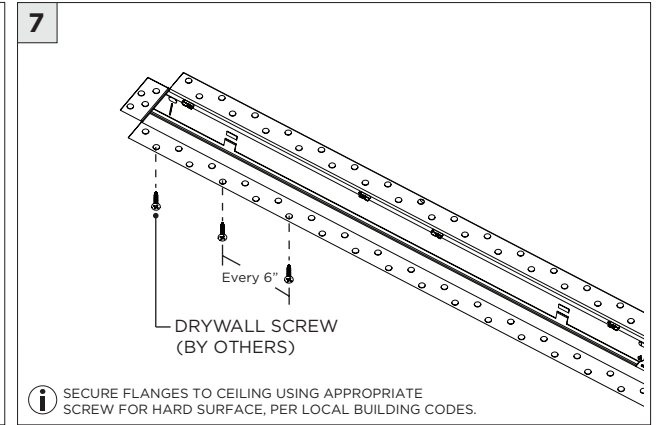
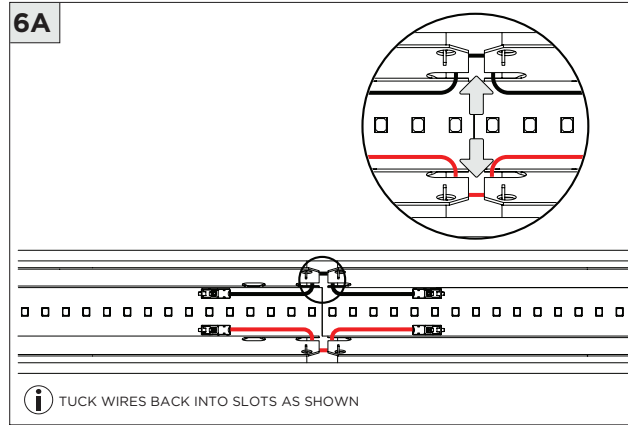
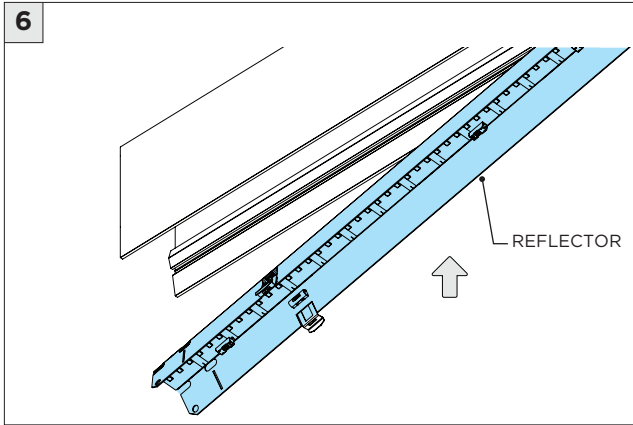


ASYMMETRIC LENS ORIENTATION



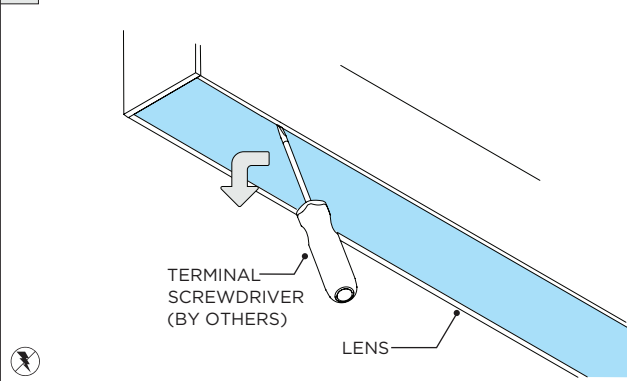




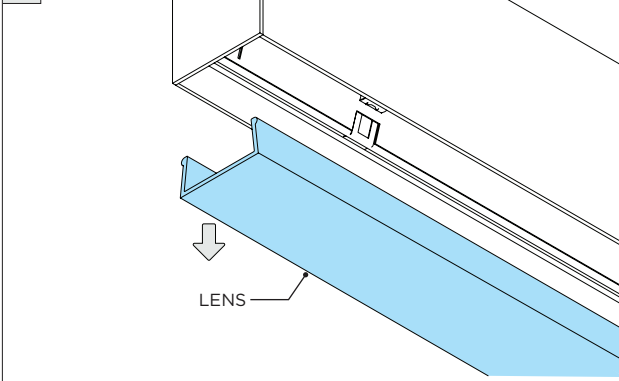


DRIVER SERVICING

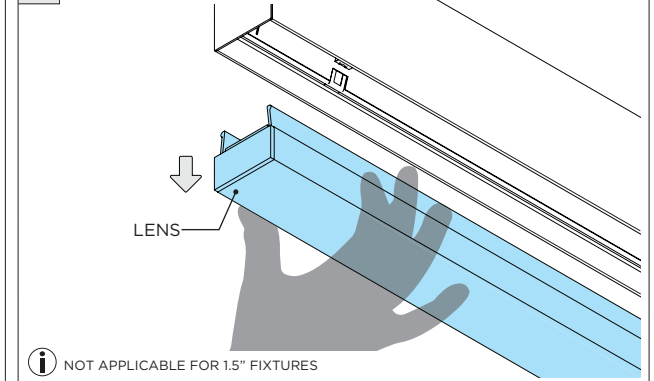
1 FLUSH LENS REMOVAL



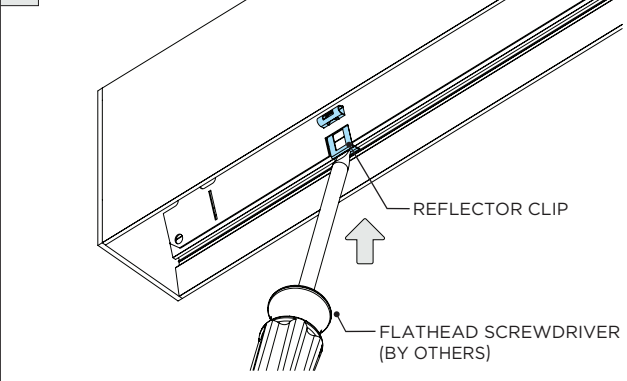
2



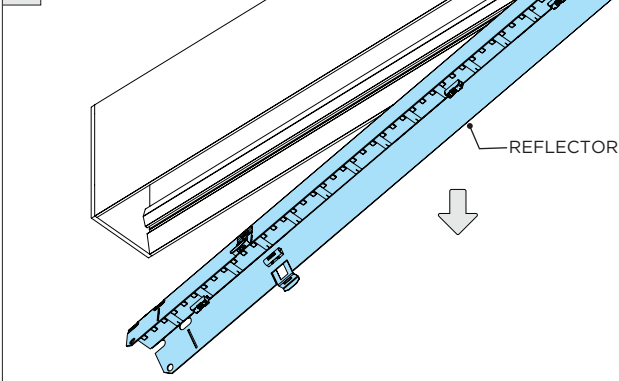
2A DROP LENS REMOVAL



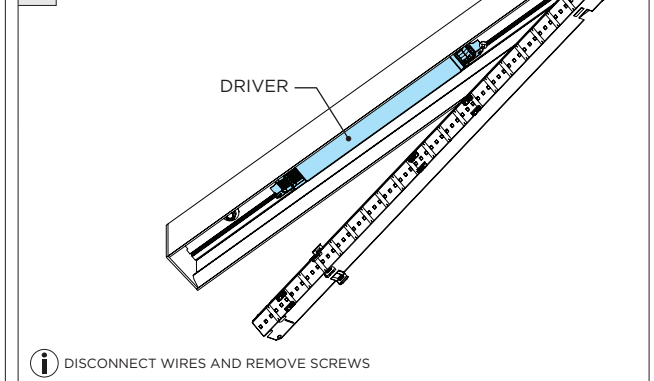
3



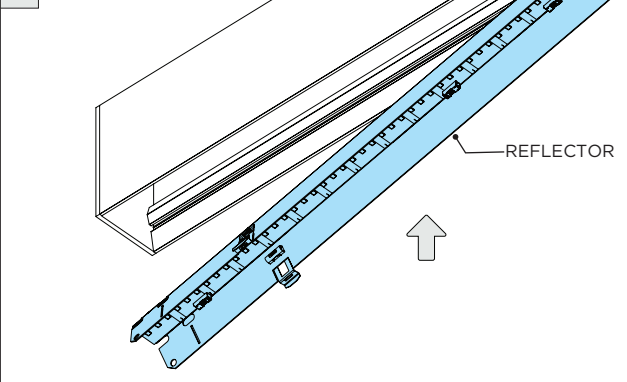
4



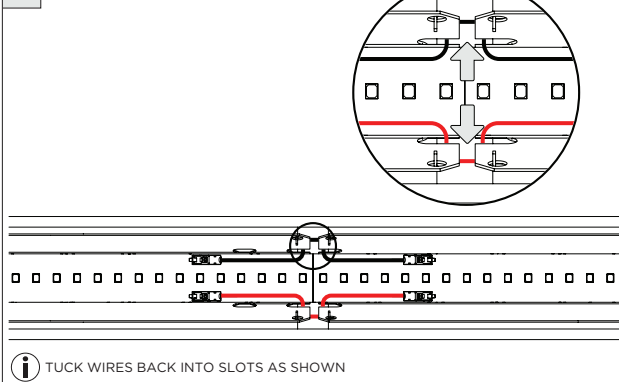
5



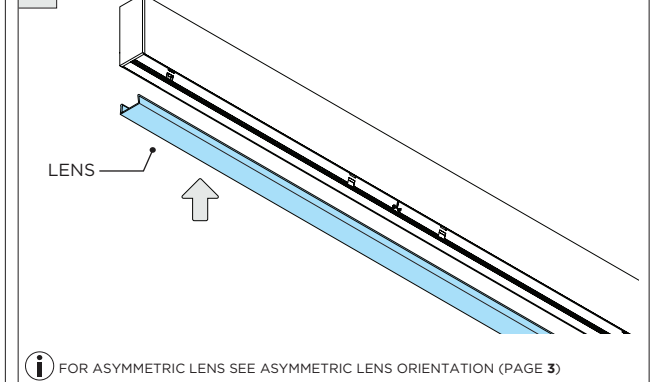
6



7

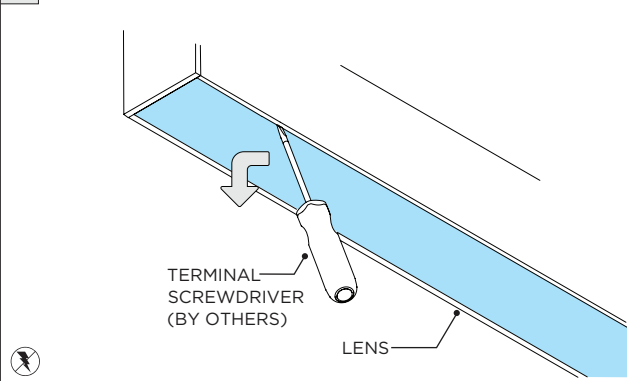


8

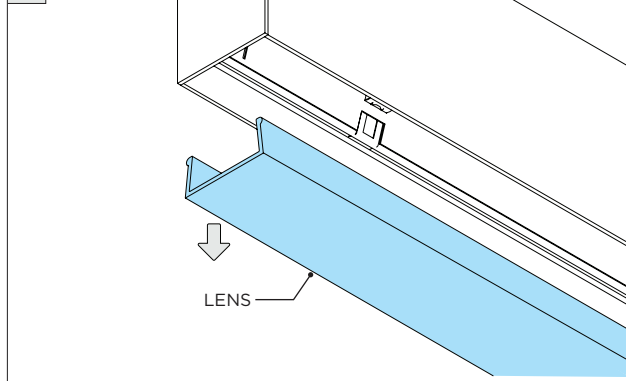


DRIVER SERVICING

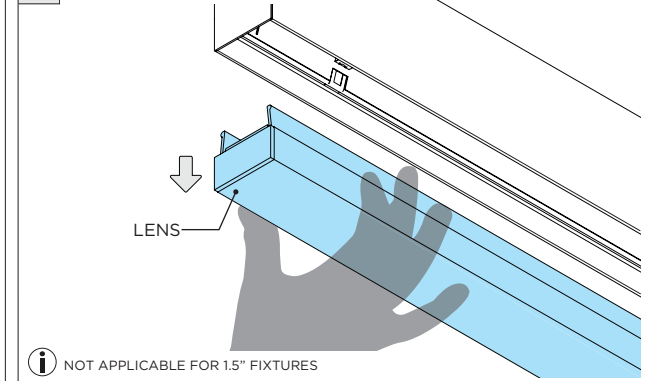
1 FLUSH LENS REMOVAL



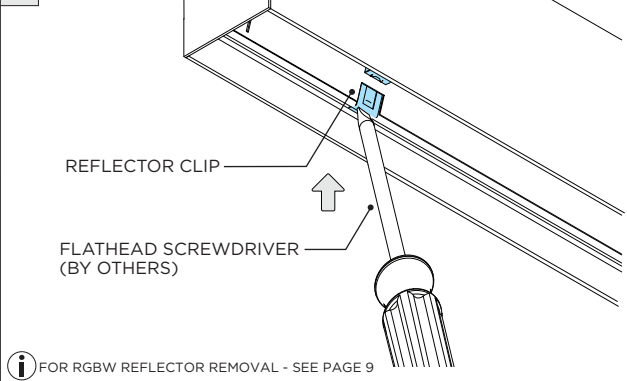
2



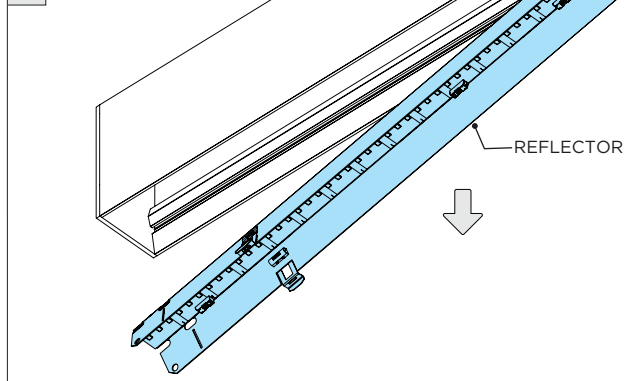
2A DROP LENS REMOVAL



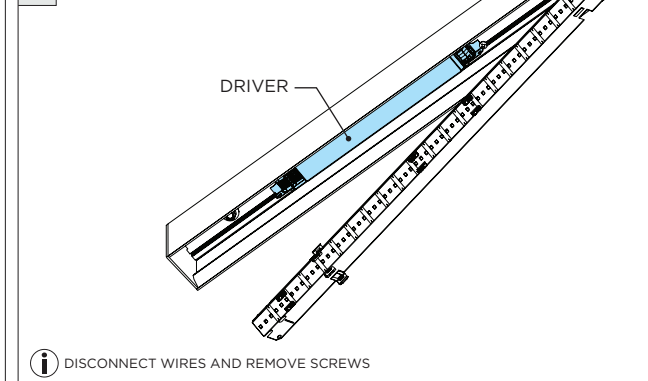
3



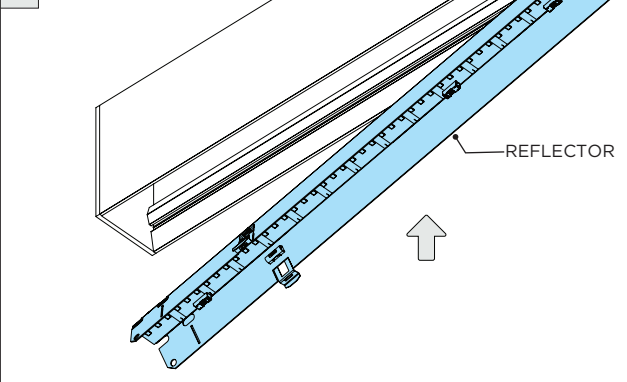
4



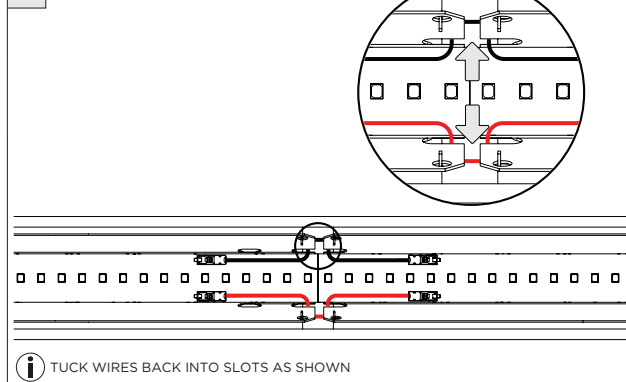
5



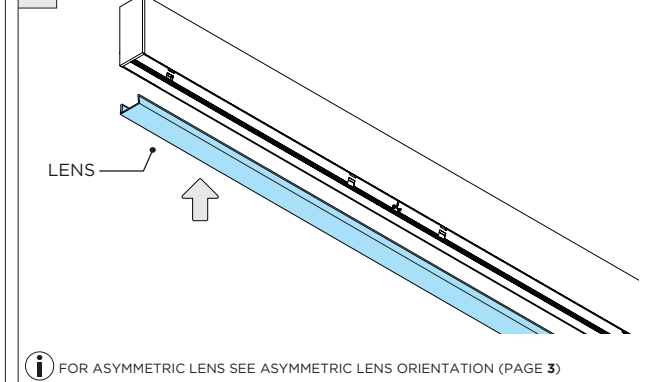
6



7

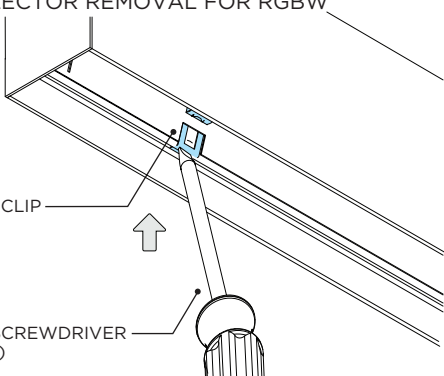


8



DRIVER SERVICING

1 **3GB** REFLECTOR REMOVAL FOR RGBW

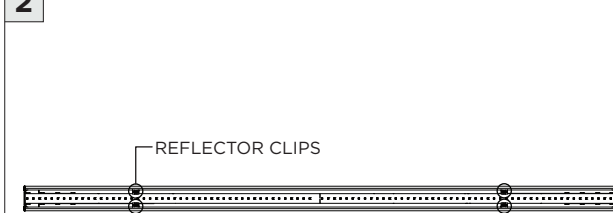


REFLECTOR CLIP

FLATHEAD SCREWDRIVER
(BY OTHERS)

Detailed description: This diagram shows a cross-section of the lighting housing. A blue reflector clip is being pushed upwards by a flathead screwdriver. An upward-pointing arrow indicates the direction of movement. Labels point to the 'REFLECTOR CLIP' and the 'FLATHEAD SCREWDRIVER (BY OTHERS)'.

2

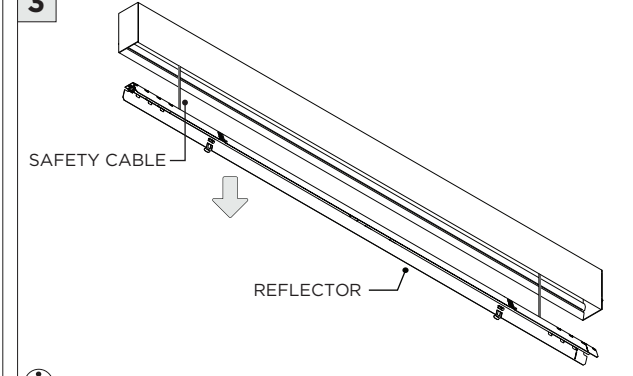


REFLECTOR CLIPS

i EACH REFLECTOR HAS 4 CLIPS TO UNLATCH

Detailed description: This diagram shows a long, thin reflector strip with four circular clips attached to its top surface. A label 'REFLECTOR CLIPS' points to one of the clips. Below the diagram is an information icon and the text 'EACH REFLECTOR HAS 4 CLIPS TO UNLATCH'.

3



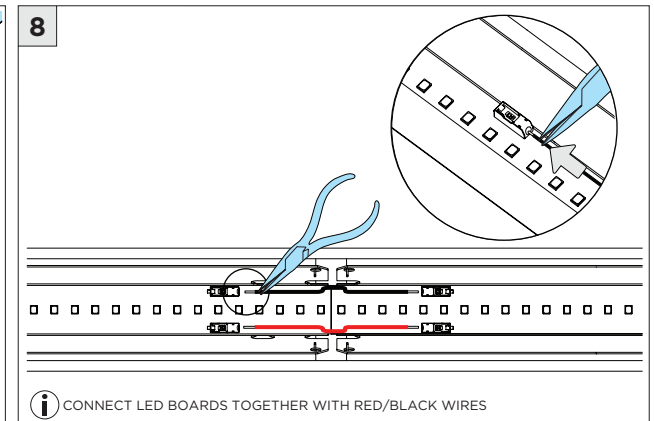
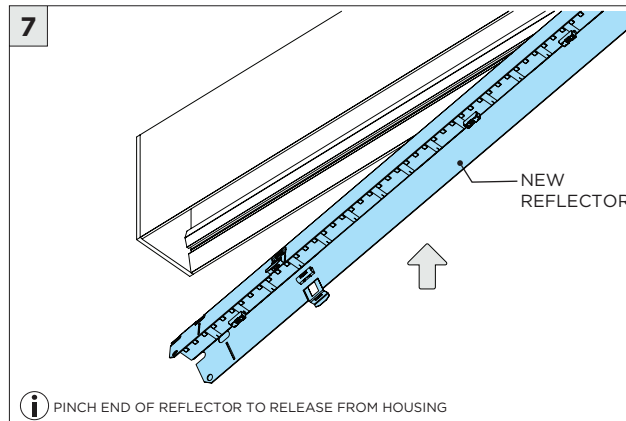
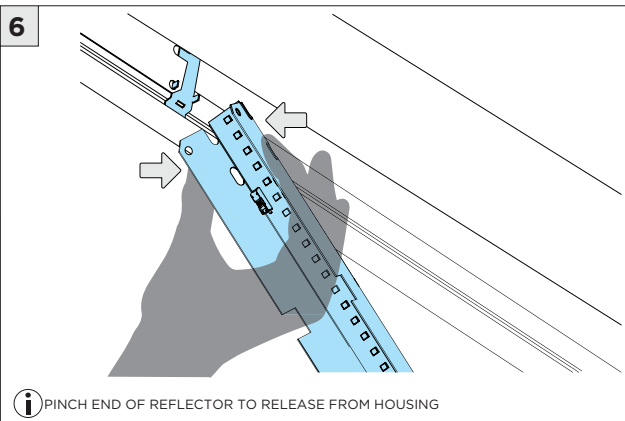
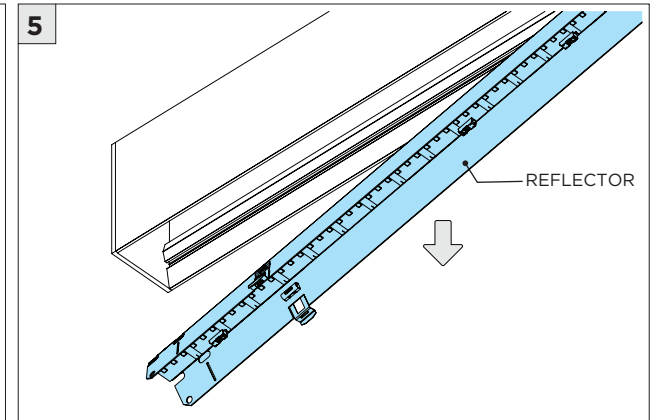
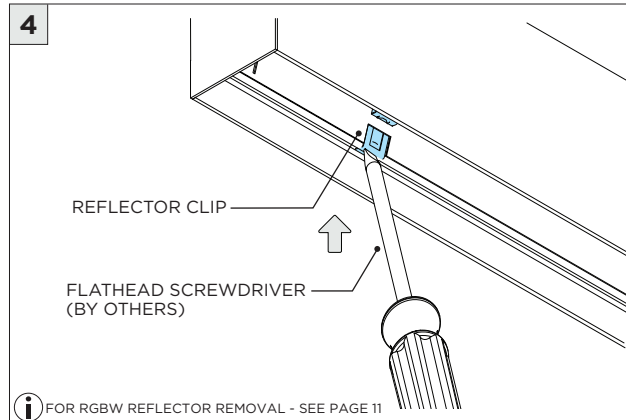
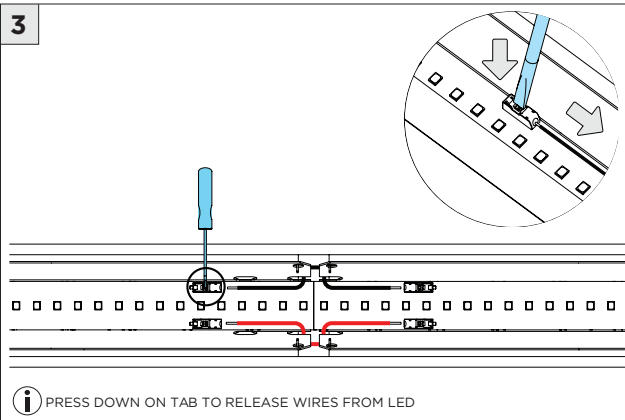
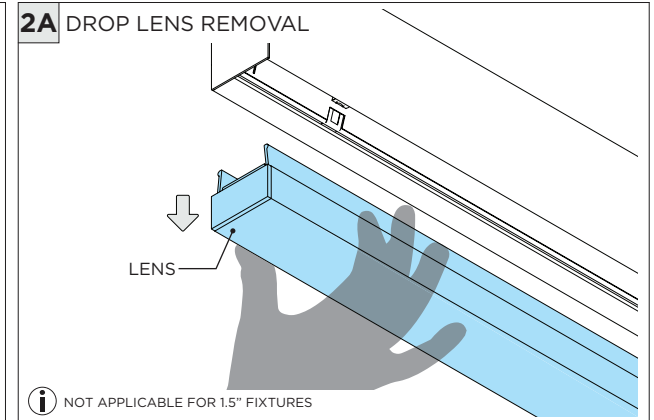
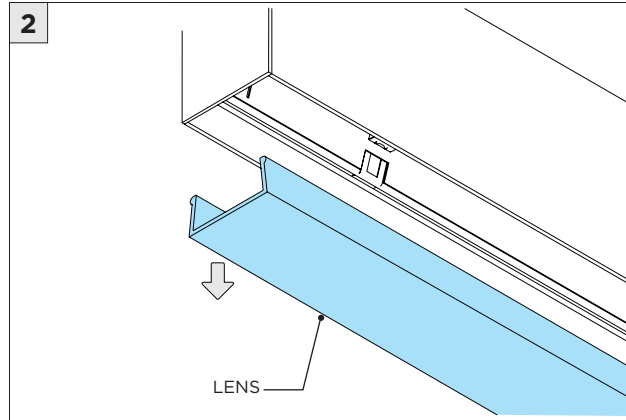
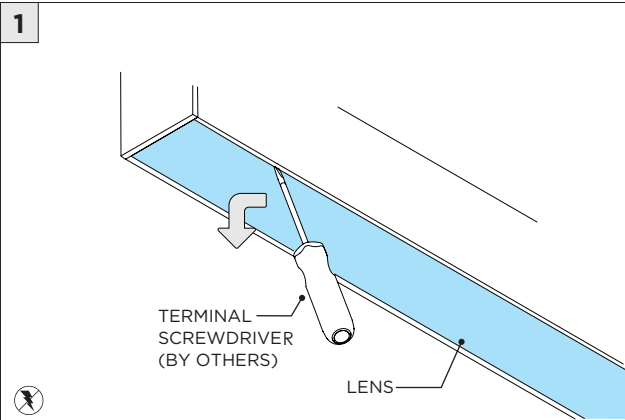
SAFETY CABLE

REFLECTOR

i REFLECTORS SECURED TO HOUSING WITH SAFETY CABLES

Detailed description: This diagram shows the lighting housing with a reflector strip being lowered out. A safety cable is shown attached to the housing and the reflector. A downward-pointing arrow indicates the direction of movement. Labels point to the 'SAFETY CABLE' and the 'REFLECTOR'. Below the diagram is an information icon and the text 'REFLECTORS SECURED TO HOUSING WITH SAFETY CABLES'.

LED SERVICING



LED SERVICING

