

3G LIGHTING

3G-2PLI-D

2" LINEAR PENDANT, DIRECT
TUNABLE WHITE & RGBW



- Narrow 2" aperture with one piece extruded aluminum housing
- Individual or continuous runs available in multiple run configurations
- Direct distribution with multiple lumen output options
- LED system with performance up to 119 lumens per watt
- Extruded acrylic lens available in flush, 1" and 2" drop lens options
- Asymmetric optics available
- 1% dimming standard with several integral driver options



ORDERING INFORMATION

PROJECT:	<input type="text"/>	TYPE:	<input type="text"/>
CATALOG #:	<input type="text"/>	DATE:	<input type="text"/>

CAT. NO	LED SOURCE	LUMEN OUTPUT	CRI	VOLTAGE
3G-2PLI-D	TW - TUNABLE WHITE (2700K-6500K)	L250 - LOW OUTPUT (250 LM/FT) ² L500 - MEDIUM OUTPUT (500 LM/FT) L750 - HIGH OUTPUT (750 LM/FT) L1000 - VERY HIGH OUTPUT (1000 LM/FT) ³ LC___ - CUSTOM OUTPUT (SPECIFY LM/FT)*	S80 - 83+ CRI H90 - 93+ CRI ¹	UNV - 120/277V
	RGBW - INFINITE COLOUR ¹ (3500K WHITE)	<p>*Specify custom lumen outputs in 50lm increments (ie: LC600, LC650, LC700) Custom output cannot exceed LC1000 Lumen outputs suitable for white LED source only</p>		

DRIVER	LENS OPTION	FINISH	CABLE LENGTH
DO1 - 0-10V (100-0.1%) DALI - DALI (eldoLED, 100-1%) DMX - DMX (eldoLED, 100-0%) ¹ DHLT - LUTRON T SERIES (100-1%) (2 CHANNEL TUNABLE WHITE)	FL - FLUSH DD1 - 1" DROP LENS DD2 - 2" DROP LENS DASY - ASYMMETRIC OPTIC ¹	WH - WHITE (STANDARD) SV - SILVER BK - BLACK All mounting canopies provided in white as standard	60 - 60" (STANDARD) 120 - 120"

OPTIONS	LENGTH (FEET)
EMC - INTEGRAL EMERGENCY BATTERY (4' SECTION ONLY) ⁴ EMC - EMERGENCY CIRCUIT ⁴	S - ___' (STRAIGHT RUN)* L - ___'X ___' (L-SHAPE) U - ___'X ___' X ___' (U-SHAPE) R - ___'X ___' (RECTANGLE/SQUARE) T - ___'X ___' (T-SHAPE) X - ___'X ___' (X-SHAPE) CUS - ___ (CUSTOM LAYOUT - PROVIDE DRAWING) *Individual units available in 2', 3', 4', 5', 6', and 8' Continuous runs available in 1' increments as standard

¹ RGBW LED source available with S80 (83+CRI) and DMX driver option only. Not available with asymmetric optic or EM options
² L250 (250LM/FT) not available in 2' and 3' lengths. Specify LC400 for 2' and 3' fixture lengths when outputs lower than 500LM/FT are required
³ L1000 (1000LM/FT) not available for H90 (93+ CRI)
⁴ EMB (emergency battery) and EMC (emergency circuit) options available for tunable white LED source only. Not available with RGBW

3GT - Tunable White
3GB - RGBW

OCTOBER 14, 2020

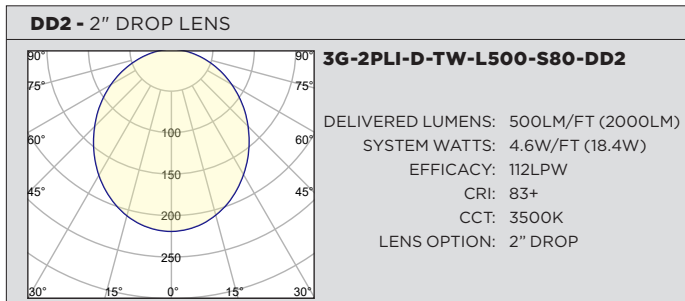
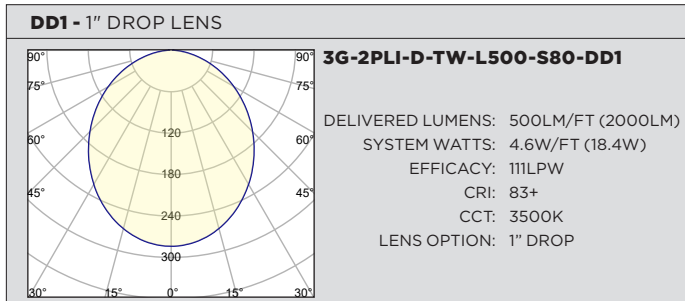
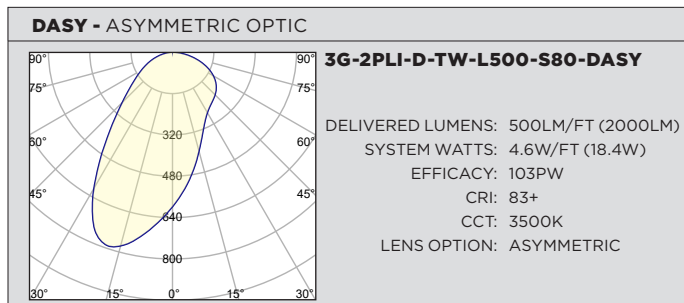
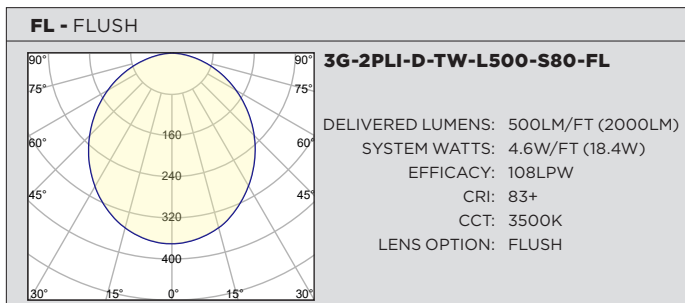


PERFORMANCE CHART BASED ON 4' LENGTH WITH FLUSH LENS (TUNABLE WHITE AND 83+ CRI)

COLOR TEMP	DELIVERED LUMENS (LM/FT)	SYSTEM WATTS (W/FT)	EFFICACY (LPW)
2700K	250	2.3	104
	500	4.6	100
	750	7.0	99
	1000	9.7	98
3500K	250	2.3	111
	500	4.6	108
	750	7.0	105
	1000	9.7	102
6500K	250	2.3	119
	500	4.6	118
	750	7.0	113
	1000	9.7	107

EFFICACY (LPW) ADJUSTMENT FACTOR	CRI	Multiplier
	93+	0.88

PHOTOMETRY BASED ON 4' LENGTH (83+ CRI AND 3500K SOURCE)



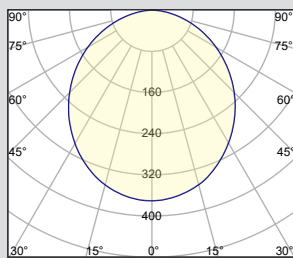
PERFORMANCE CHART BASED ON 4' LENGTH (RGBW WITH 83+ CRI AND 3500K SOURCE)

COLOR TEMP	DELIVERED LUMENS (LM/FT)	SYSTEM WATTS (W/FT)	EFFICACY (LPW)
3500K	250	2.1	119
	500	4.3	117
	750	7.0	107
	1000	10.3	98

LUMINOUS INTENSITY PER LED	RGB	INTENSITY Min - Max (mcd)
	RED	355 - 805
	GREEN	710 - 1400
	BLUE	140 - 355

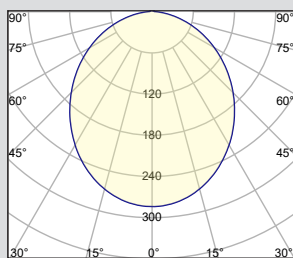
PHOTOMETRY BASED ON 4' LENGTH (83+ CRI AND 3500K SOURCE)

FL - FLUSH



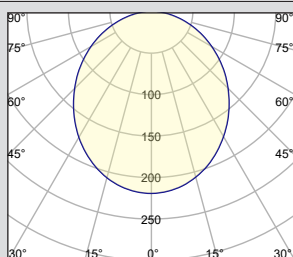
3G-2PLI-D-RGBW-L500-S80-FL
 DELIVERED LUMENS: 500LM/FT (2000LM)
 SYSTEM WATTS: 4.3W/FT (17.2W)
 EFFICACY: 117LPW
 CRI: 83+
 CCT: 3500K
 LENS OPTION: FLUSH

DD1 - 1" DROP LENS



3G-2PLI-D-RGBW-L500-S80-DD1
 DELIVERED LUMENS: 500LM/FT (2000LM)
 SYSTEM WATTS: 4.3W/FT (17.2W)
 EFFICACY: 121LPW
 CRI: 83+
 CCT: 3500K
 LENS OPTION: 1" DROP

DD2 - 2" DROP LENS



3G-2PLI-D-RGBW-L500-S80-DD2
 DELIVERED LUMENS: 500LM/FT (2000LM)
 SYSTEM WATTS: 4.3W/FT (17.2W)
 EFFICACY: 124LPW
 CRI: 83+
 CCT: 3500K
 LENS OPTION: 2" DROP

TECHNICAL**HOUSING**

Extruded aluminum housing with narrow 2" aperture
Machined aluminum end caps add 1/4" to each end of luminaire
Individual units and continuous runs available in 1' increments
24-gauge LED reflector with high reflectance white powder coated finish
Standard polyester powder coated matte white finish.
Optional finishes available

OPTICS

Extruded, satin acrylic lens designed for optimal performance and glare control. Up to 8' continuous
Lens options include flush, 1" and 2" drops with illuminated end caps for all drop lenses
High performance asymmetric optics available

ELECTRICAL

Luminaires are pre-wired with factory installed quick connects and branch circuit wiring
Standard 0-10V, constant current drivers with 100-0.1% dimming range and >0.9 power factor
eldoLED DALI driver option with 100-0.1% dimming range
eldoLED DMX driver option with 100-0% dimming range
Lutron T-series 2 channel tunable white driver option with 100-1% dimming range
All drivers are integral and easily accessible through luminaire aperture
4' length for each integral emergency battery. 10W output for 90 minutes

LED SYSTEM FOR TUNABLE WHITE (TW)

Proprietary LED system with color consistency <3 SDCM
2700K-6500K CCT range
Standard 83+CRI. Optional 93+CRI. (R9 value of 56 for 93+CRI)
L90 >60,000 hours
5 Year Warranty

LED SYSTEM FOR RGBW

Proprietary LED system with color consistency <3 SDCM
White LED available in 35K with 83+ CRI
L80 >72,000 hours
Red (335-805 mcd)
Green (710-1400 mcd)
Blue (140-355 mcd)
5 Year Warranty

MOUNTING

Toolless installation with 3G's proprietary mounting system
Internal, toolless joiner system (latch and hook) easily connects multiple sections together
LED reflectors remain within each fixture section during installation with 3G's click and lock spring system
Adjustable aircraft cable suspension with locking fasteners (60" length standard)
Standard, 18-gauge, 5 conductor single circuit power feed (clear braided finish)
All mounting canopies provided in white finish as standard
Suitable for various architectural ceilings (see mounting details)
Fixture weight: +/- 2.5 lb/ft

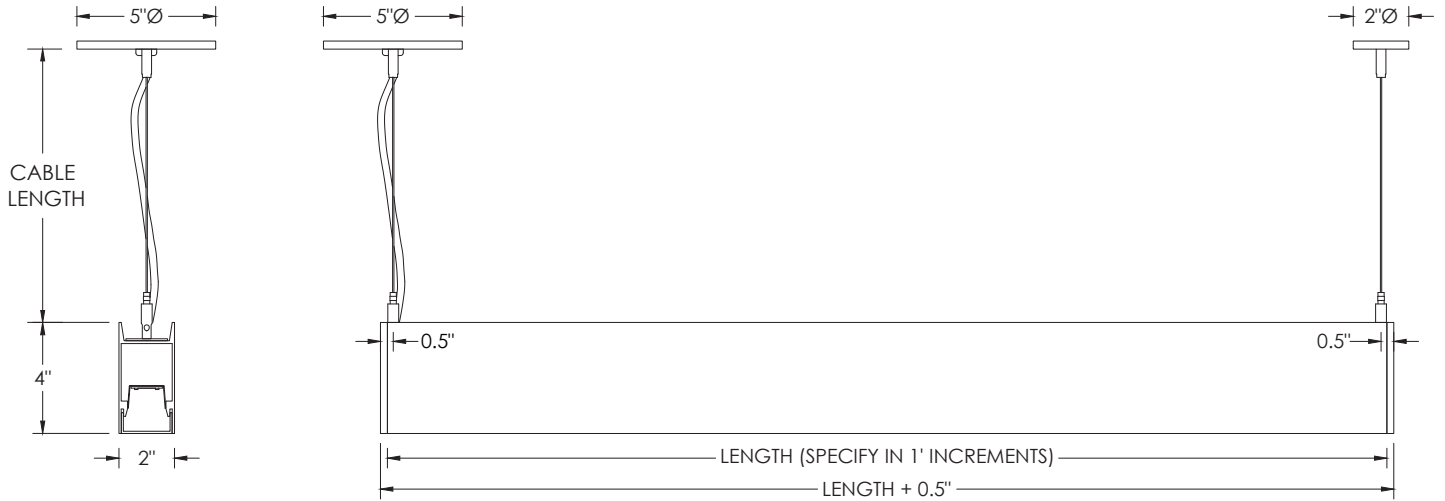
LISTING

ETL listed and tested to cUL standards. Suitable for dry and damp locations

WARRANTY

5 Year Warranty on LED and drivers
Manufacturer 1 Year Warranty for defects in material and workmanship under normal use
Ambient temperature at fixture should not exceed 25°C

DRAWINGS AND DIMENSIONS



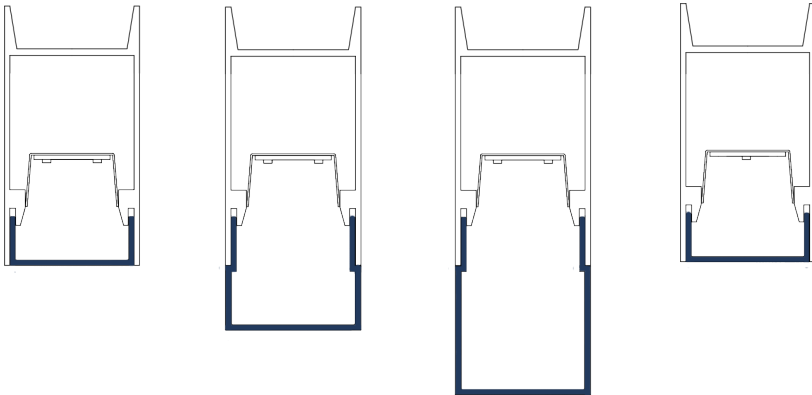
LENS OPTION

FL - FLUSH

DD1 - 1" DROP

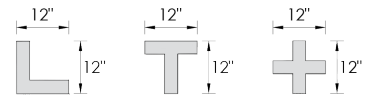
DD2 - 2" DROP

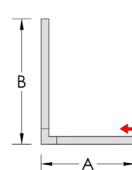
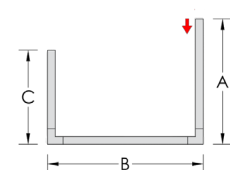
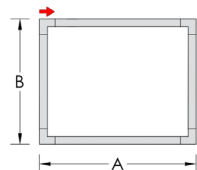
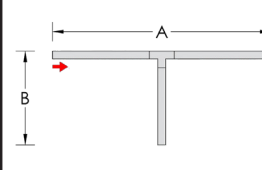
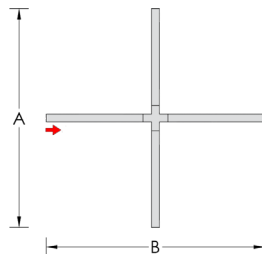
DASY - ASYMMETRIC



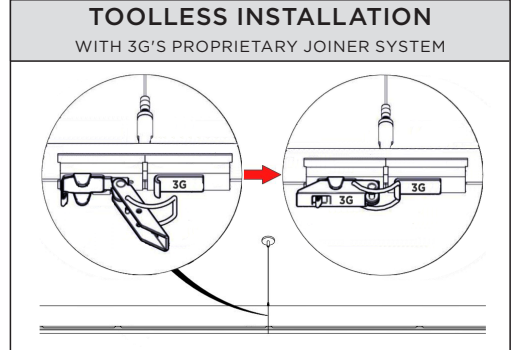
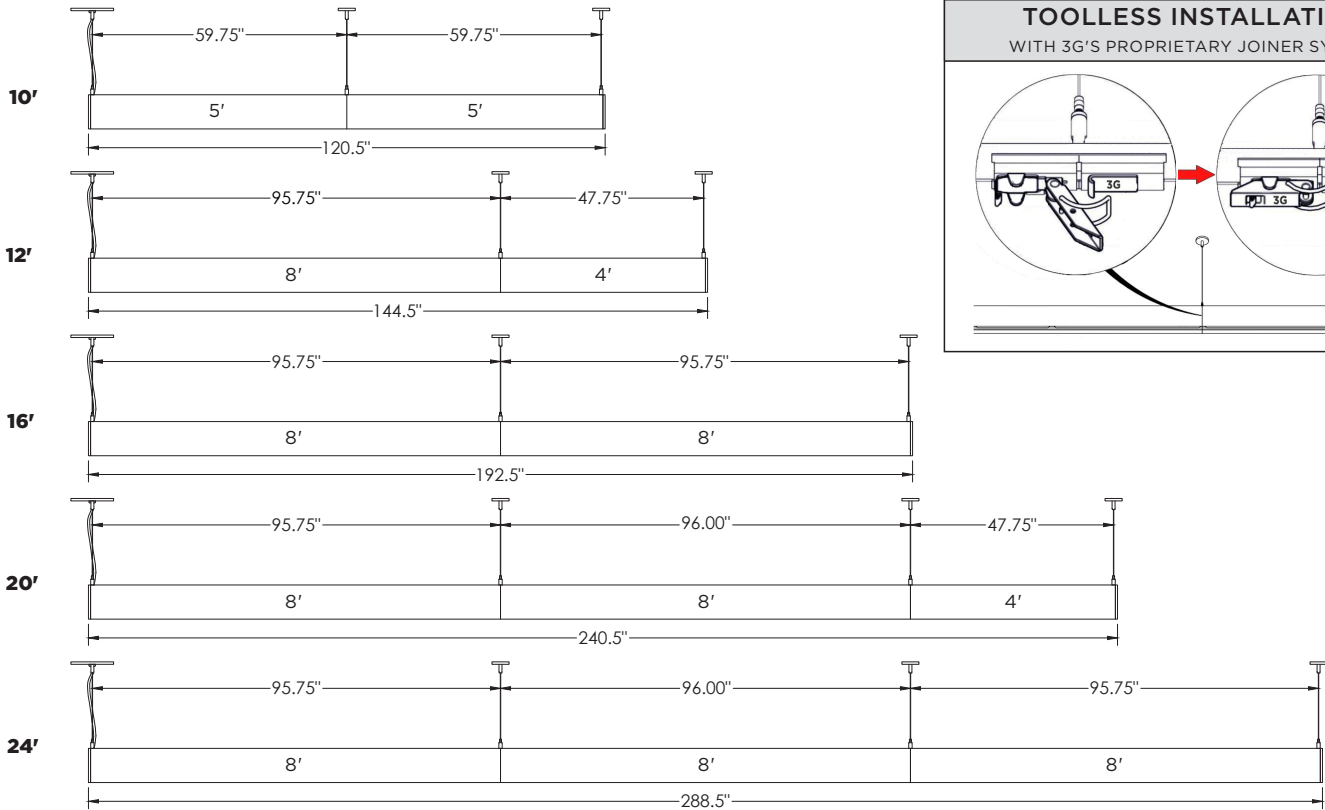
PATTERNS

Specify pattern shape and overall dimensions as shown below. Available in 1' increments only. Patterns are connected with fully illuminated 12"x12" L, T, and X-shaped sections.



L-SHAPE	U-SHAPE	RECTANGLE/SQUARE	T-SHAPE	X-SHAPE
Provide dimensions of AxB Example: L - 6'x8'	Provide dimensions of AxBxC Example: U - 8'x10'x6'	Provide dimensions of AxB Example: R - 10'x8'	Provide dimensions of AxB Example: T - 14'x6'	Provide dimensions of AxB Example: X - 14'x14'
				

TYPICAL SECTION MOUNTING (AVAILABLE IN 1' INCREMENTS AS STANDARD)



MOUNTING DETAILS

