

3G LIGHTING

3G-4PLI-DI

3.5" LINEAR PENDANT
DIRECT/INDIRECT

3.5" aperture with one piece extruded aluminum housing
Individual or continuous runs available in multiple run configurations
Direct/Indirect distribution with multiple lumen output options
LED system with performance up to 144 lumens per watt
Extruded acrylic lens available in flush, 1" and 2" drop lens options
Widespread and asymmetric optics available
1% dimming standard with several driver options



ORDERING INFORMATION

PROJECT:	<input type="text"/>	TYPE:	<input type="text"/>
CATALOG #:	<input type="text"/>	DATE:	<input type="text"/>

CAT. NO	LUMEN OUTPUT (DIRECT DELIVERED LUMENS)	LUMEN OUTPUT (INDIRECT DELIVERED LUMENS)	CRI	COLOR TEMP
3G-4PLI-DI	D250 - 250 LM/FT	L250 - 250 LM/FT	S80 - 80+ CRI ³ H90 - 90+ CRI	27K - 2700K
	D500 - 500 LM/FT	L500 - 500 LM/FT		30K - 3000K
	D750 - 750 LM/FT	L750 - 750 LM/FT ¹		35K - 3500K
	D1000 - 1000 LM/FT	L1000 - 1000 LM/FT ²		40K - 4000K
	DC___ - CUSTOM OUTPUT (SPECIFY LM/FT)*	LC___ - CUSTOM OUTPUT (SPECIFY LM/FT)*		
	*Specify custom lumen outputs in 50lm increments (ie: DC600, DC650, DC700) Custom output cannot exceed D1000	*Specify custom lumen outputs in 50lm increments (ie: LC600, LC650, LC700) Custom output cannot exceed L1000		

VOLTAGE	DRIVER	LENS OPTION (DIRECT)	LENS OPTION (INDIRECT)	FINISH
UNV - 120/277V 347 - 347V	DIM - 0-10V (STANDARD 100-1%) DHL2 - LUTRON HI-LUME LDE1 (100-1% ECOSYSTEM) DALI - DALI (eIdoLED, 100-1%) ⁴ D01 - 0-10V (eIdoLED, 100-0.1%) DMX - DMX (eIdoLED, 100-0%)	FL - FLUSH DD1 - 1" DROP LENS DD2 - 2" DROP LENS DASY - ASYMMETRIC OPTIC	FL - FLUSH WSO - WIDESPREAD OPTIC ASY - ASYMMETRIC OPTIC	WH - WHITE (STANDARD) SV - SILVER BK - BLACK All mounting canopies provided in white as standard

CABLE LENGTH	CIRCUITING	OPTIONS	LENGTH (FEET)
60 - 60" 120 - 120"	1C - 1 CIRCUIT 2C - 2 CIRCUIT	EMB - INTEGRAL EMERGENCY BATTERY (MIN 4' SECTION) EMC - EMERGENCY CIRCUIT	S - ___' (STRAIGHT RUN)* L - ___' X ___' (L-SHAPE) U - ___' X ___' X ___' (U-SHAPE) R - ___' X ___' (RECTANGLE/SQUARE) T - ___' X ___' (T-SHAPE) X - ___' X ___' (X-SHAPE) CUS - ___ (CUSTOM LAYOUT - PROVIDE DRAWING)
			* Individual units available from 3' to 8' Continuous runs available in 1" increments as standard

¹ L750 (750LM/FT) and 90CRI not available with ASY (indirect asymmetric option)
² L1000 (1000LM/FT) not available with ASY (indirect asymmetric option)
³ S80 (80+ CRI) not available with 27K and 40K
⁴ DALI-2 (Type 6) provided as standard. Please consult factory for DALI (Type 8) options

NOVEMBER 15, 2022



**3G-4PLI-DI**

LIGHTING 3.5" LINEAR PENDANT - DIRECT/INDIRECT

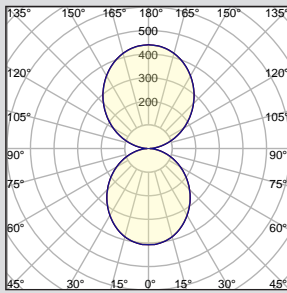
PERFORMANCE CHART BASED ON 4' LENGTH (80+ CRI AND 3500K SOURCE)

LENS OPTION	DELIVERED LUMENS (LM/FT)			SYSTEM WATTS (W/FT)			EFFICACY (LPW)		
	DIRECT	INDIRECT	TOTAL	DIRECT	INDIRECT	TOTAL	DIRECT	INDIRECT	TOTAL
FLUSH + FLUSH	250	250	500	1.9	1.7	3.6	129	150	138
	500	500	1000	3.9	3.4	7.3	129	153	140
	750	750	1500	6.0	5.0	11.0	127	150	137
	1000	1000	2000	8.1	7.0	15.0	123	144	133
FLUSH + WSO	250	250	500	1.9	1.7	3.6	129	143	135
	500	500	1000	3.9	3.4	7.3	129	143	136
	750	750	1500	6.0	5.0	11.0	127	141	133
	1000	1000	2000	8.1	7.0	15.0	123	137	130
FLUSH + ASYMMETRIC	250	250	500	1.9	3.4	5.3	129	74	94
	500	500	1000	3.9	6.5	10.4	129	78	97
	750	750	1500	6.0	10.1	16.1	127	73	93
	1000	750	1750	8.1	10.1	18.2	123	73	96
1" DROP + FLUSH	250	250	500	1.9	1.7	3.6	133	150	141
	525	500	1025	3.9	3.4	7.3	134	153	143
	775	750	1525	6.0	5.0	11.0	132	150	140
	1025	1000	2025	8.1	7.0	15.0	128	144	135
2" DROP + FLUSH	275	250	525	1.9	1.7	3.6	136	150	142
	525	500	1025	3.9	3.4	7.3	136	153	144
	800	750	1550	6.0	5.0	11.0	134	150	141
	1050	1000	2050	8.1	6.9	14.9	129	144	136
ASYMMETRIC + FLUSH	250	250	500	1.9	1.7	3.6	131	150	140
	500	500	1000	3.9	3.4	7.3	132	153	142
	750	750	1500	6.0	5.0	11.0	128	150	138
	1000	1000	2000	8.1	7.0	15.0	124	144	133

LUMEN OUTPUT MULTIPLIER: 27K=0.94, 30K=0.97, 35K=1.00, 40K=1.01, 90CRI=0.88

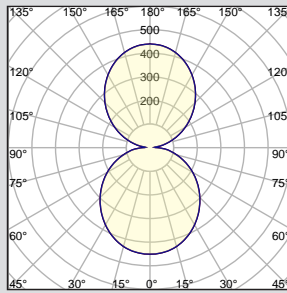
PHOTOMETRY BASED ON 4' LENGTH (80+ CRI AND 3500K SOURCE)

FL + FL - FLUSH (DIRECT) + FLUSH (INDIRECT)



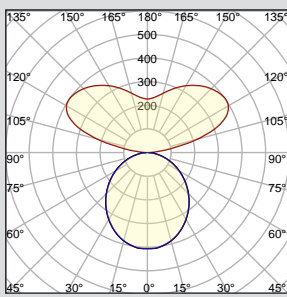
3G-4PLI-DI-D500-L500-FL-FL
 DELIVERED LUMENS: 1000LM/FT (4000LM)
 SYSTEM WATTS: 7.3W/FT (29.2W)
 EFFICACY: 140LPW
 CRI: 80+
 CCT: 3500K
 LENS OPTION: FLUSH (DIRECT)
 FLUSH (INDIRECT)

DD1 + FL - 1" DROP (DIRECT) + FLUSH (INDIRECT)



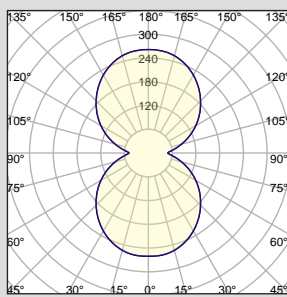
3G-4PLI-DI-D500-L500-DD1-FL
 DELIVERED LUMENS: 1025LM/FT (4100LM)
 SYSTEM WATTS: 7.3W/FT (29.2W)
 EFFICACY: 143LPW
 CRI: 80+
 CCT: 3500K
 LENS OPTION: 1" DROP (DIRECT)
 FLUSH (INDIRECT)

FL + WSO - FLUSH (DIRECT) + WIDESPREAD OPTIC (INDIRECT)



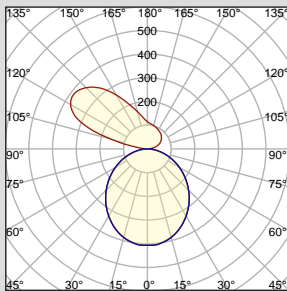
3G-4PLI-DI-D500-L500-FL-WSO
 DELIVERED LUMENS: 1000LM/FT (4000LM)
 SYSTEM WATTS: 7.3W/FT (29.2W)
 EFFICACY: 136LPW
 CRI: 80+
 CCT: 3500K
 LENS OPTION: FLUSH (DIRECT)
 WSO (INDIRECT)

DD2 + FL - 2" DROP (DIRECT) + FLUSH (INDIRECT)



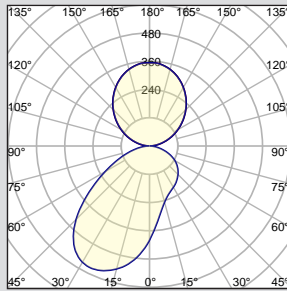
3G-4PLI-DI-D500-L500-DD2-FL
 DELIVERED LUMENS: 1025LM/FT (4100LM)
 SYSTEM WATTS: 7.3W/FT (29.2W)
 EFFICACY: 144LPW
 CRI: 80+
 CCT: 3500K
 LENS OPTION: 2" DROP (DIRECT)
 FLUSH (INDIRECT)

FL + ASY - FLUSH (DIRECT) + ASYMMETRIC (INDIRECT)



3G-4PLI-DI-D500-L500-FL-ASY
 DELIVERED LUMENS: 1000LM/FT (4000LM)
 SYSTEM WATTS: 10.4W/FT (41.6W)
 EFFICACY: 97LPW
 CRI: 80+
 CCT: 3500K
 LENS OPTION: FLUSH (DIRECT)
 ASY (INDIRECT)

DASY + FL - ASYMMETRIC (DIRECT) + FLUSH (INDIRECT)



3G-4PLI-DI-D500-L500-DASY-FL
 DELIVERED LUMENS: 1000LM/FT (4000LM)
 SYSTEM WATTS: 7.2W/FT (28.8W)
 EFFICACY: 142LPW
 CRI: 80+
 CCT: 3500K
 LENS OPTION: DASY (DIRECT)
 FLUSH (INDIRECT)



3G-4PLI-DI

3.5" LINEAR PENDANT - DIRECT/INDIRECT

TECHNICAL

HOUSING

- Extruded aluminum housing with 3.5" aperture
- Die cast aluminum end caps add 1/4" to each end of luminaire
- Individual units and continuous runs available in 1" increments as standard
- 24-gauge LED reflector with high reflectance white powder coated finish
- Standard polyester powder coated matte white finish. Optional finishes available

OPTICS

- Extruded, satin acrylic lens designed for optimal performance and glare control. Up to 8' continuous
- Lens options include flush, 1" and 2": drops with illuminated end caps for all drop lenses
- High performance asymmetric optics available
- Widespread Optic peak intensity at 120° with optimal mounting distance at 12" to 30" from ceiling

ELECTRICAL

- Standard 0-10V, constant current drivers with 100-1% dimming range and >0.9 power factor
- Standard 120/277V universal voltage with several driver options
- Luminaires are pre-wired with factory installed quick connects and branch circuit wiring
- All drivers are integral and easily accessible through luminaire aperture
- Minimum 4' and maximum 6' length for each integral emergency battery. 10W output for 90 minutes

LED SYSTEM

- Proprietary LED system with color consistency <3 SDCM
- Available in 27K, 30K, 35K, and 40K
- Standard 80+CRI. Optional 90+CRI
- R9 value of 56 for 90+CRI
- L90 >60,000 hours
- 5 Year Warranty

MOUNTING

- Toolless installation with 3G's proprietary mounting system
- Internal, toolless joiner system (latch and hook) easily connects multiple sections together
- LED reflectors remain within each fixture section during installation with 3G's click and lock spring system
- Adjustable aircraft cable suspension with locking fasteners (60" length standard)
- Standard, 18-gauge, 5 conductor single circuit power feed (clear braided finish)
- All mounting canopies provided in white finish as standard
- Suitable for various architectural ceilings (see mounting details)
- Fixture weight: +/- 3 lb/ft

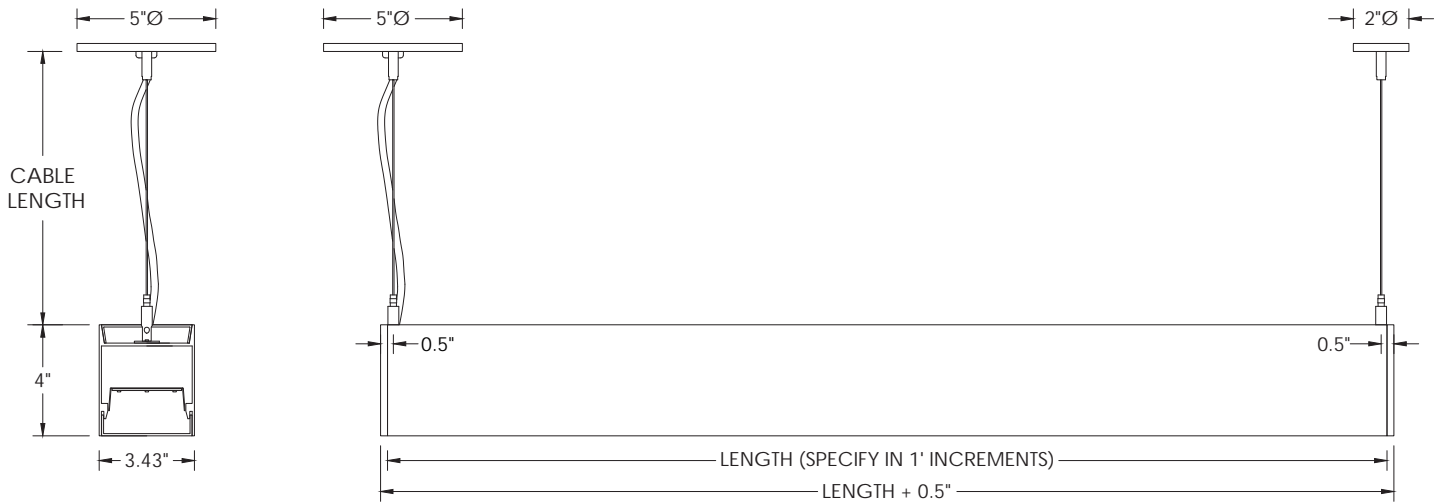
LISTING

- ETL listed and conforms to UL1598 standard. Certified to CSA22.2 NO.250.0. Rated for indoor dry or damp locations
- DLC certified. Consult factory for details

WARRANTY

- 5 Year Warranty on LED and drivers
- Manufacturer 1 Year Warranty for defects in material and workmanship under normal use
- Ambient temperature at fixture should not exceed 25°C

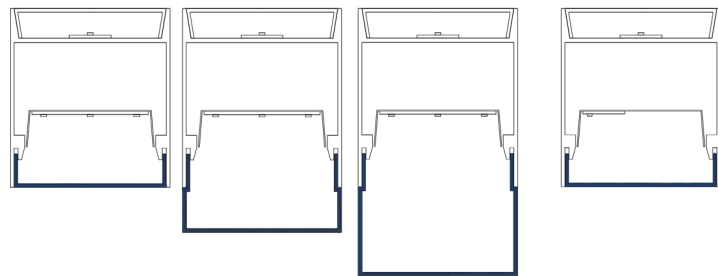
DRAWINGS AND DIMENSIONS



LENS OPTION

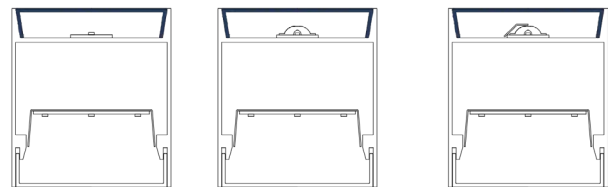
DIRECT LENS OPTION

FL - FLUSH **DD1 - 1" DROP** **DD2 - 2" DROP** **DASY - ASYMMETRIC**



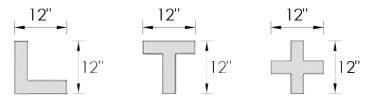
INDIRECT LENS OPTION

FL - FLUSH **WSO - WIDESPREAD** **ASY - ASYMMETRIC**



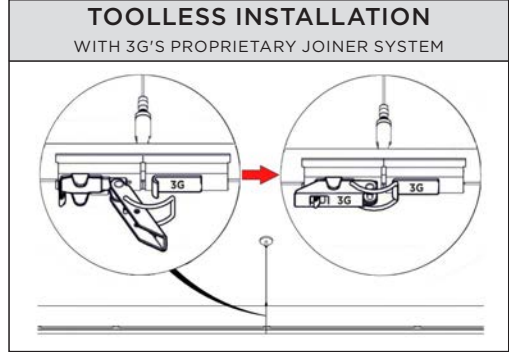
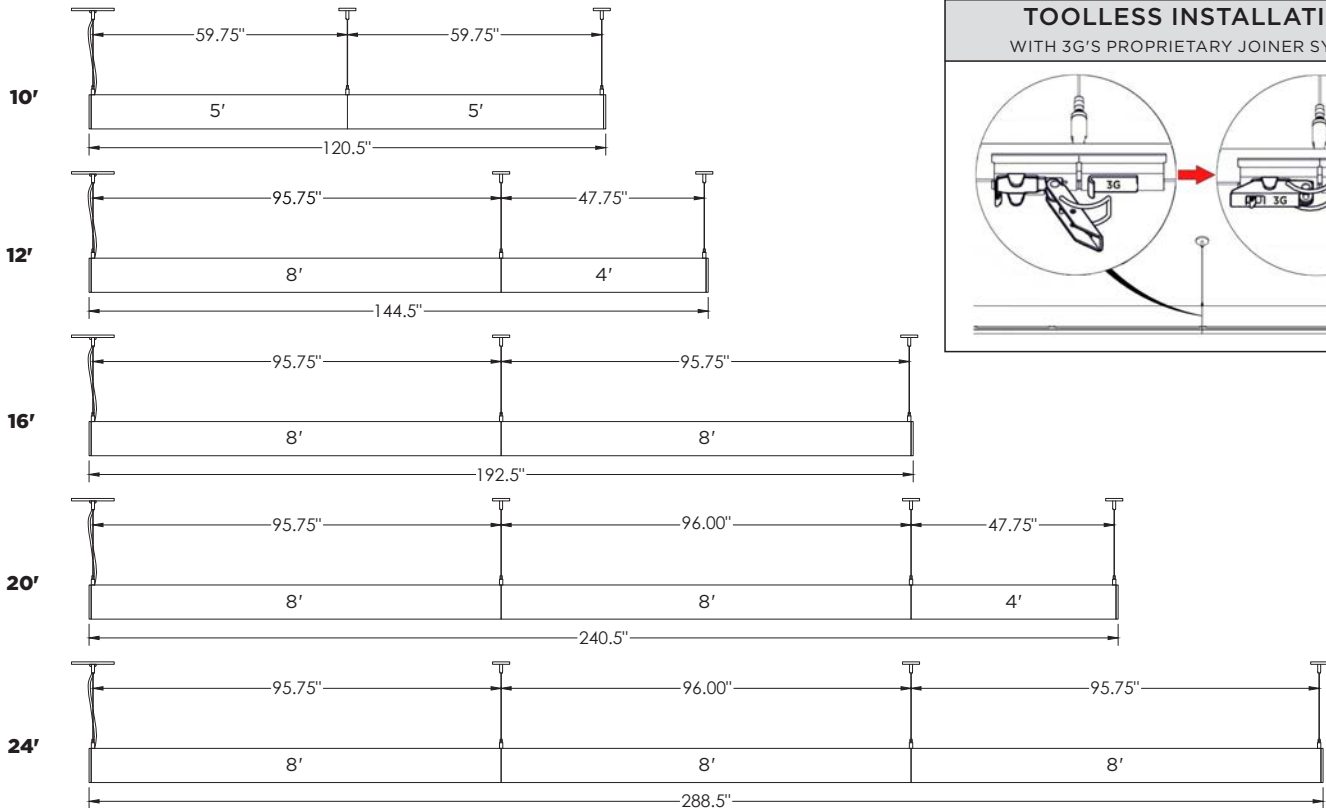
PATTERNS

Specify pattern shape and overall dimensions as shown below
 Patterns are connected with fully illuminated 12"x12" L, T, and X-shaped sections
 Please consult factory for custom patterns and shapes not shown below



L-SHAPE	U-SHAPE	RECTANGLE/SQUARE	T-SHAPE	X-SHAPE
Provide dimensions of AxB Example: L - 6'x8'	Provide dimensions of AxBxC Example: U - 8'x10'x6'	Provide dimensions of AxB Example: R - 10'x8'	Provide dimensions of AxB Example: T - 14'x6'	Provide dimensions of AxB Example: X - 14'x14'

TYPICAL SECTION MOUNTING



NOTE:

Run lengths and configurations not shown are available in 1" increments as standard

MOUNTING DETAILS

