



3G-DL33RF70

3.3" ROUND FIXED
DEEP REGRESS
DYNAMIC WHITE



Small 3.3" round, adjustable high performance dynamic white downlight
Dim to Warm and Tunable White LED options up to 2000lm (90+ CRI)
Regressed LED source for enhanced glare control
Proprietary hot aiming mechanism with sliding center beam optimization
0° - 40° lockable tilt and 362° lockable rotation
Shallow housing available along with remodel and other housing options
1% dimming standard with several integral driver options

3GD 3GT

PROJECT:		TYPE:	
CATALOG#:		DATE:	QTY:

CAT. NO	LED SOURCE	LUMEN OUTPUT	CRI	BEAM ANGLE	VOLTAGE
3G-DL33RF70	DW - DIM TO WARM (1800K-3000K) TW - TUNABLE WHITE ¹ (2700K-6500K)	08 - 800 LUMENS 12 - 1200 LUMENS 20 - 2000 LUMENS	H90 - 90+ CRI	10D - 10° ² 20D - 20° 30D - 30° 40D - 40° 50D - 50° 60D - 60°	UNV - 120/277V 120 - 120V 347 - 347V ³

DRIVER	FLANGE TYPE	BEVELED INSERT	HOUSING TYPE
DIM - 0-10V (100-1%) LE - PHASE DIM ⁴ (TRIAC/ELV, 100-1%) DO1 - 0-10V (100-0.1%) ¹ DALI - DALI (100-1%) ^{1,5} DHL2 - LUTRON HI-LUME (1% ECOSYSTEM) DMX - DMX (100-0%) ¹	WT - WHITE TRIM BT - BLACK TRIM ST - SILVER TRIM XTR - TRIMLESS (MUD-IN DRYWALL) MWF - FLANGELESS MILLWORK ⁶	WI - WHITE BI - BLACK SI - SILVER	RMD - REMODEL (NON-IC) NCF - NEW CONSTRUCTION FRAME (NON-IC) SH - SHALLOW HOUSING ⁷ (IC RATED) NC - NEW CONSTRUCTION ⁷ HOUSING IC - NEW CONSTRUCTION IC HOUSING

OPTIONS
WL - WET LOCATION ⁸ CP - CHICAGO PLENUM ⁷ BH - C-CHANNEL BAR HANGERS EMR - EMERGENCY BATTERY (REMOTE) ⁹

¹ Tunable White option available with DO1, DALI and DMX drivers

² 10D reflector available with 800 lumen output only

³ 347 available in "DIM" 0-10V only (100-1%)

⁴ Phase dimming options available in 120V only

⁵ DALI-2 (Type 6) provided as standard. Please consult factory for DALI (Type 8) options

⁶ MWF not available with Remodel (NON-IC)

⁷ Chicago Plenum option available with Shallow Housing and New Construction Housing

⁸ Wet location option provided standard with sealed softening lens. Not available with trimless option

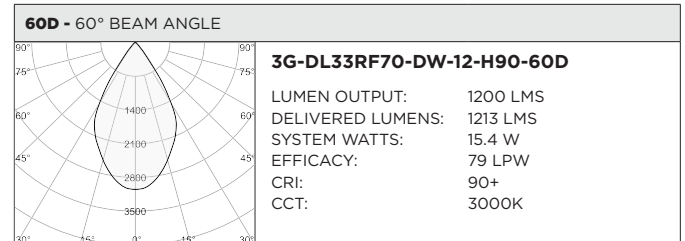
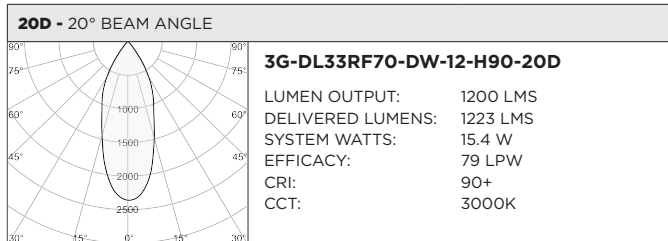
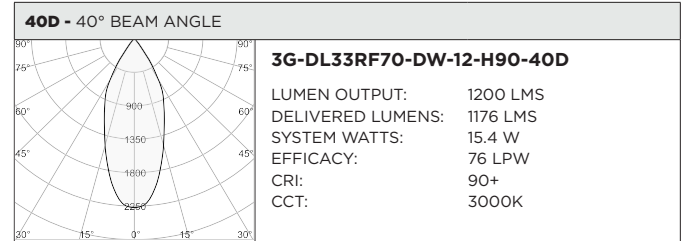
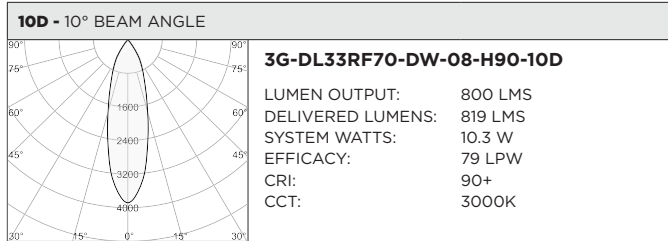
⁹ Fixture operates at 6500K in emergency mode. Emergency battery installed remotely by others. Not accessible through the inside of the fixture

3GD - Warm Dim

3GT - Tunable White

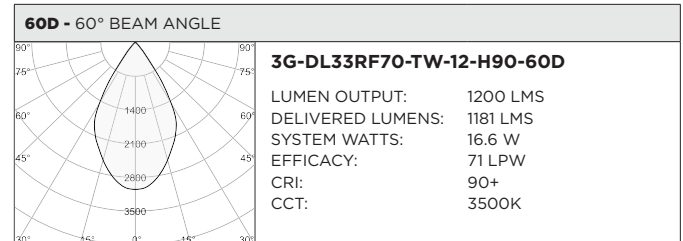
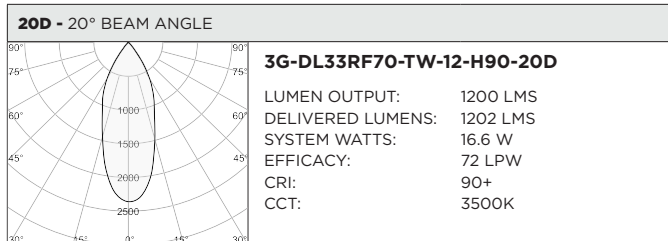
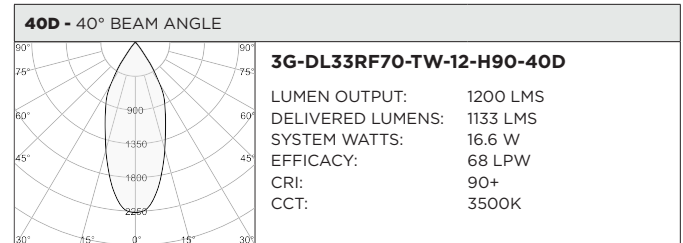
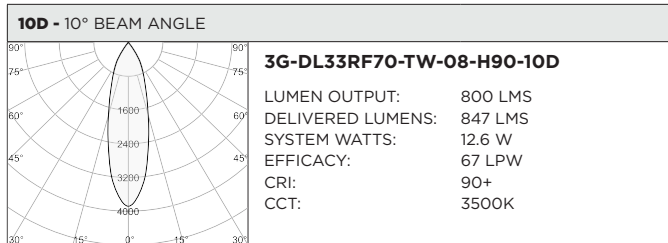
BASED ON 60° BEAM AND 3000K SOURCE

LUMEN OUTPUT	90+ CRI (3000K)		
	DELIVERED LUMENS	SYSTEM WATTS	EFFICACY (LPW)
800LMs	N/A	N/A	N/A
1200LMs	1223	15.4	79
2000LMs	1721	23.2	74



BASED ON 60° BEAM

LUMEN OUTPUT	90+ CRI (2700K)			90+ CRI (3500K)			90+ CRI (6500K)		
	DELIVERED LUMENS	SYSTEM WATTS	EFFICACY (LPW)	DELIVERED LUMENS	SYSTEM WATTS	EFFICACY (LPW)	DELIVERED LUMENS	SYSTEM WATTS	EFFICACY (LPW)
800LMs	N/A	N/A	N/A	N/A	N/A	N/A	N/A	N/A	N/A
1200LMs	1164	16.6	70	1202	16.6	72	1308	16.6	79
2000LMs	1653	24.5	67	1726	24.5	70	1842	24.5	75



HOUSING

Remodel, new construction frame, shallow housing, and IC housing options available

Maximum ceiling thickness of 1" (1.5" for Millwork Flangeless and Remodel options). Consult factory for modifications

All housing options designed to be easily converted in field to trim or trimless with minimal components

Housing rated for #12 AWG (4 in, 4 out), 90°C conductors and through branch wiring

BEVELED INSERT

Cast aluminum beveled insert with matte powder coated finish
3.3" aperture with regressed LED source for enhanced glare control

TRIM

Machined aluminum trim flange with matte powder coated finish and minimal 0.375" overlap

TRIMLESS

Mudding flange features a perforated surface for easy mud-in application
Integral blocking support provided to ensure fixture is properly secured within ceiling structure

OPTICS

Regressed LED source for enhanced glare control

Proprietary anodized, aluminum reflectors are field replaceable (20° reflector not interchangeable)

Available in 10°, 20°, 30°, 40°, 50° and 60°

Wet location option supplied standard with sealed softening lens

LISTING

ETL listed and conforms to UL1598 standard. Certified to CSA22.2 NO.250.0. Rated for indoor dry or damp locations

WARRANTY

5 Year Warranty on LED and drivers

Manufacturer 1 Year Warranty for defects in material and workmanship under normal use

Ambient temperature at fixture should not exceed 25°C

ELECTRICAL

Standard 0-10V, constant current drivers with 100-1% dimming range and >0.9 power factor

Standard 120/277V universal voltage drivers. Optional 347V, 0-10V drivers
120V Forward Phase/Reverse Phase driver option with 100-1% dimming range
eldoLED 0-10V driver option available with 100-0.01% dimming range
eldoLED DALI and Lutron EcoSystem driver options available with 100-1% dimming range

DMX driver option available with 100-0% dimming range

All drivers are integral and easily accessible through fixture aperture

EMERGENCY

Remote emergency battery installed by others (not accessible through fixture aperture)

7W output for 90 minutes (+/- 700lm at 80+ CRI)

CA Title 24 Certified

Maximum remote mounting distance:

50ft (12AWG) or 25ft (14AWG) for fixtures operating at 3000lm or below
30ft (12AWG) or 20ft (14AWG) for fixtures operating above 3000lm

Caution: Emergency Battery utilizes more than one power source and servicing should be performed by qualified personnel

LED SYSTEM

<3 SDCM LED module (field replaceable)

Standard 90+ CRI

Dim to Warm (1800K-3000K)

Tunable White (2700K-6500K)

L70 >50,000 hours

5 Year Warranty

MOUNTING

Trim fixture designed for use in drywall, wood, acoustic, and other architectural ceilings

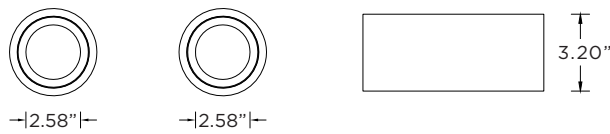
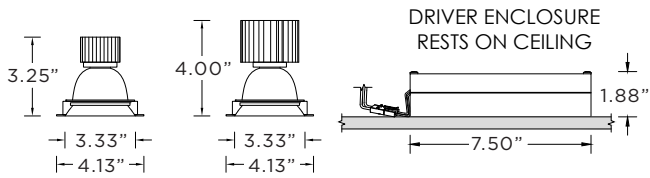
Trimless fixture designed for use in drywall, mud-in ceiling applications
Recommended ceiling cut-out for Millwork Flangeless option (3.525" diameter for ceilings up to 1"). Contact 3G for thicker ceilings

Recommended ceiling cut-out for all other housing options (3 13/16" diameter)
New construction frame and IC rated shallow housings ship with bar hangers (14" to 26" extension)

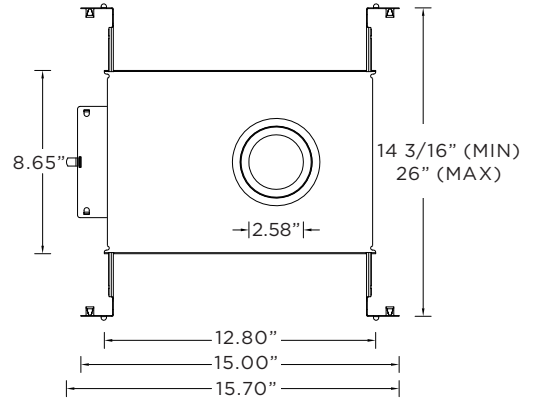
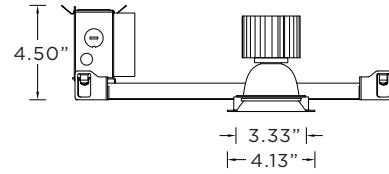
Standard new construction and IC housings available with optional c-channel bar hangers

RMD - REMODEL (NON-IC)

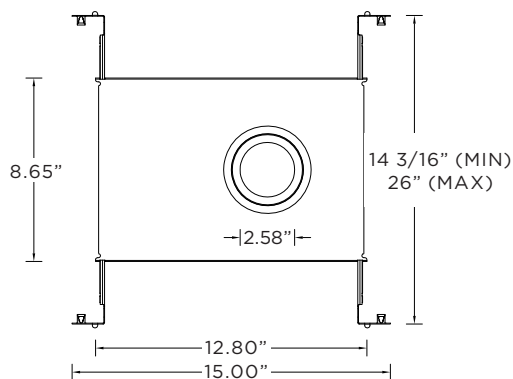
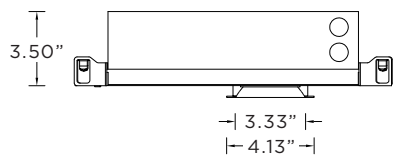
800lm/1200lm 2000lm



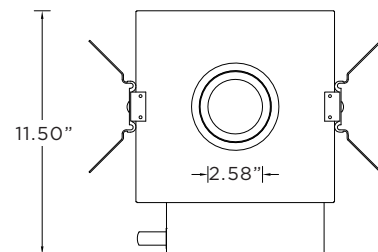
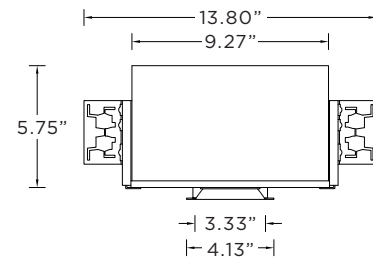
NCF - NEW CONSTRUCTION FRAME (NON-IC)



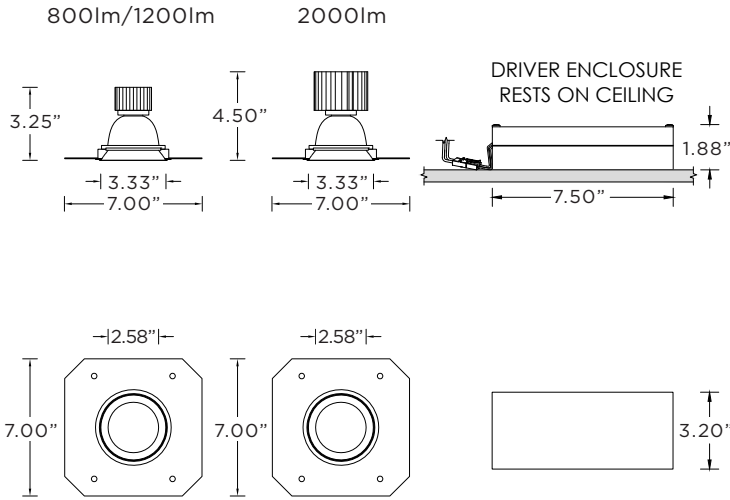
SH - SHALLOW HOUSING (IC AND CHICAGO PLENUM RATED)



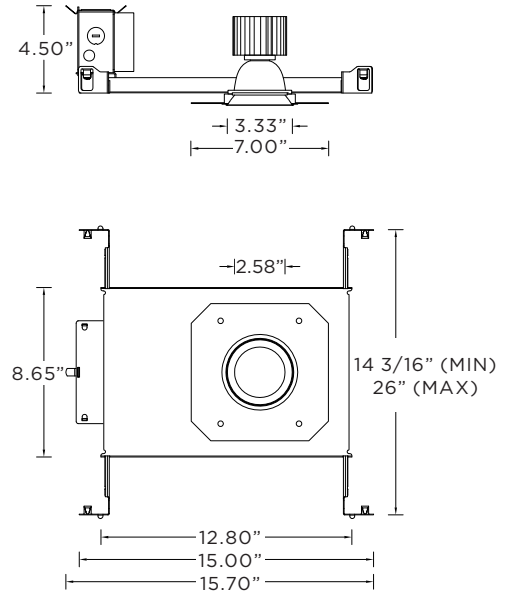
NC - NEW CONSTRUCTION HOUSING (NON-IC AND CP RATED)
IC - NEW CONSTRUCTION IC HOUSING



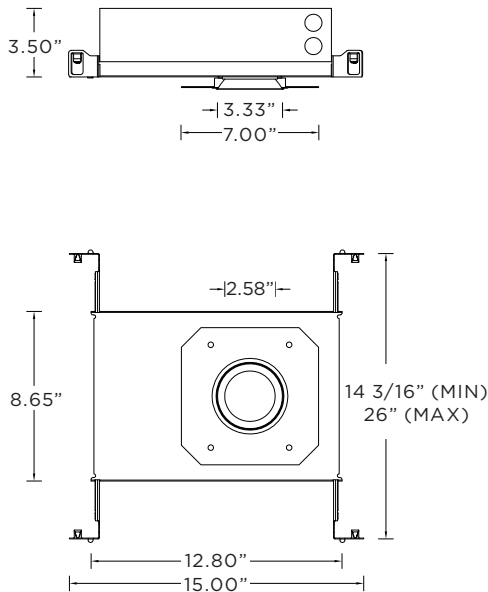
RMD - REMODEL (NON-IC)



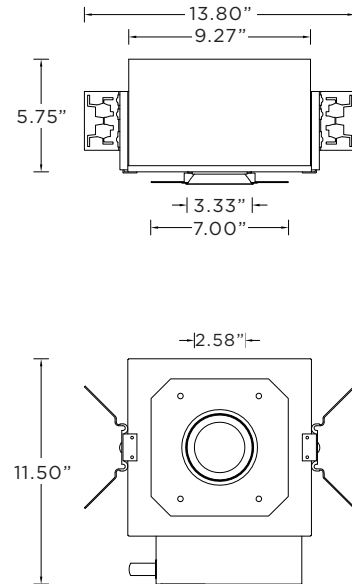
NCF - NEW CONSTRUCTION FRAME (NON-IC)



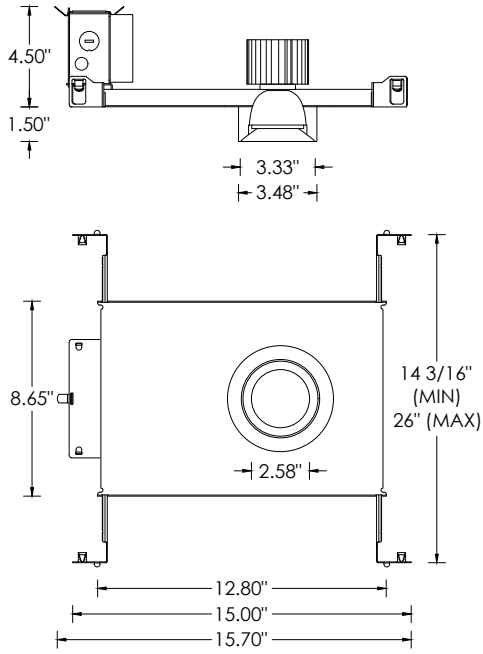
SH - SHALLOW HOUSING (IC AND CHICAGO PLENUM RATED)



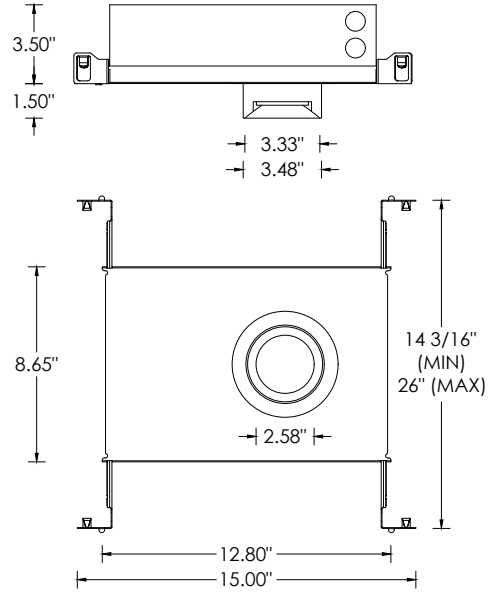
NC - NEW CONSTRUCTION HOUSING (NON-IC AND CP RATED)
IC - NEW CONSTRUCTION IC HOUSING



NCF - NEW CONSTRUCTION FRAME (NON-IC)



**SH - SHALLOW HOUSING (IC AND CHICAGO PLENUM RATED)
(2200LM MAX)**



**NC - NEW CONSTRUCTION HOUSING (NON-IC AND CP RATED)
IC - NEW CONSTRUCTION IC HOUSING (2200LM MAX)**

