
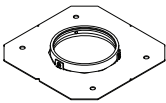
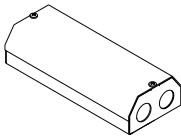
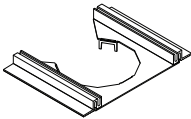


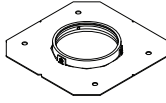
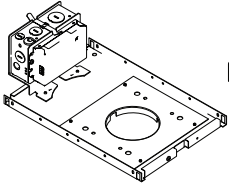
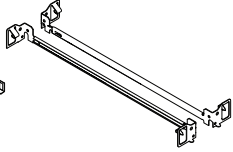


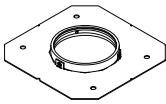
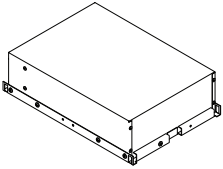
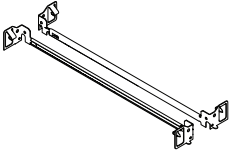
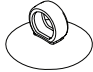

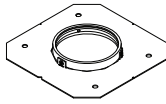
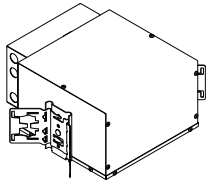
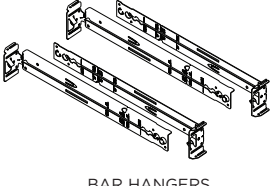







3.3" ROUND FIXED DEEP REGRESS DOWNLIGHT TRIMLESS



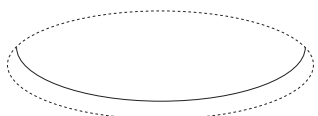
i THE IMAGES SHOWN ARE FOR ILLUSTRATION PURPOSES ONLY AND MAY NOT BE AN EXACT REPRESENTATION OF THE PRODUCT

INCLUDED COMPONENTS				
RMD - REMODEL				
				
LED INSERT	MUDDING FLANGE	DRIVER ENCLOSURE	BLOCKING SUPPORT PLATE	SUCTION CUP
NCF - NEW CONSTRUCTION FRAME (FOR NEW CONSTRUCTION ONLY)				
				
LED INSERT	MUDDING FLANGE	NEW CONSTRUCTION FRAME	BAR HANGERS	SUCTION CUP
SH - SHALLOW HOUSING (FOR NEW CONSTRUCTION ONLY)				
				
LED INSERT	MUDDING FLANGE	SHALLOW HOUSING	BAR HANGERS	SUCTION CUP
NC/IC - NEW CONSTRUCTION HOUSING (FOR NEW CONSTRUCTION ONLY)				
				
LED INSERT	MUDDING FLANGE	NEW CONSTRUCTION HOUSING	BAR HANGERS (OPTIONAL)	SUCTION CUP

INSTRUCTION KEY	INFORMATION
 ADDITIONAL	INSTALLATION SHOULD ONLY BE PERFORMED BY A CERTIFIED ELECTRICIAN
 ATTENTION	REFER TO LOCAL/NATIONAL CODES FOR PROPER INSTALLATION
 POWER ON	FAILURE TO FOLLOW INSTALLATION INSTRUCTION MAY VOID THE WARRANTY
 POWER OFF	DO NOT TOUCH LEDS. LEDS MUST BE PROTECTED FROM MECHANICAL STRESS OR DEBRIS
	TURN OFF POWER DURING INSTALLATION OR SERVICING

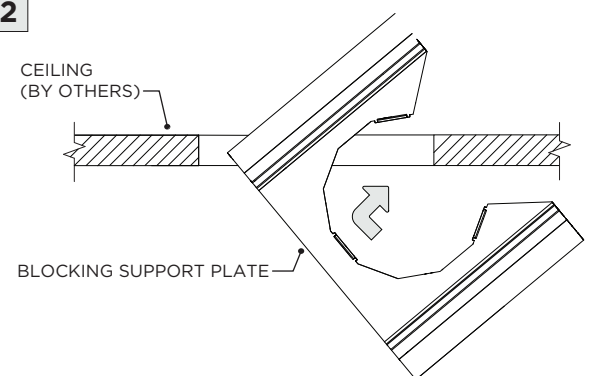
RMD - REMODEL

1



FIXTURE TYPE	CEILING HOLE SIZE
DL33RF	Ø 3.8125"
DL45RF	Ø 5.1250"

2

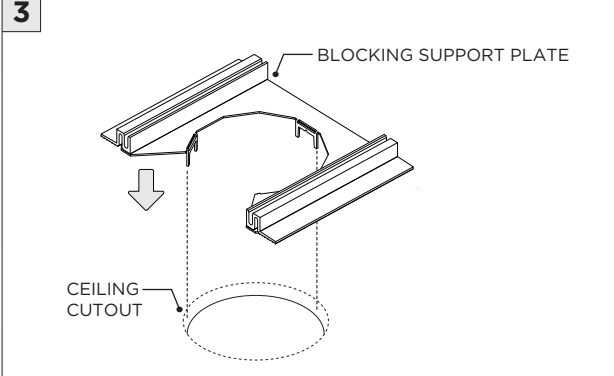


CEILING (BY OTHERS)

BLOCKING SUPPORT PLATE

ROTATE BLOCKING SUPPORT PLATE THROUGH CEILING CUTOUT

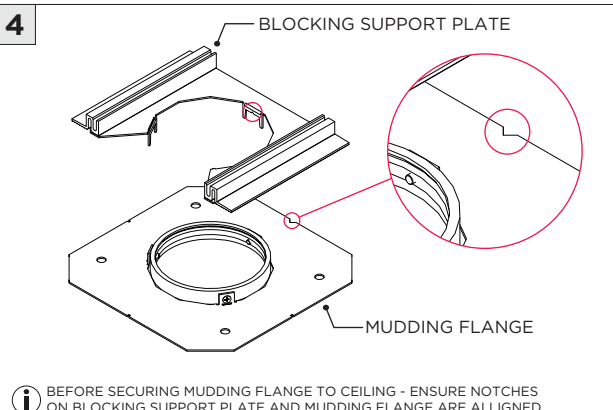
3



BLOCKING SUPPORT PLATE

CEILING CUTOUT

4

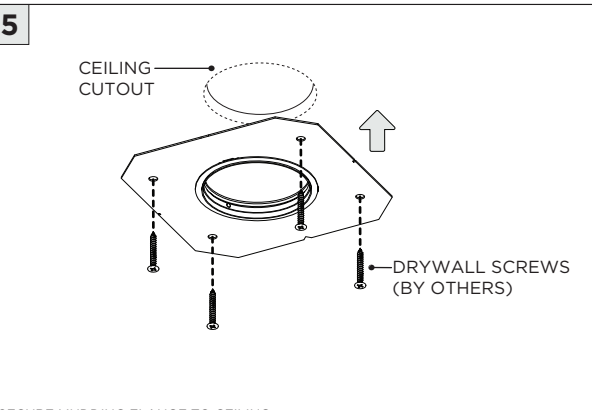


BLOCKING SUPPORT PLATE

MUDDING FLANGE

i BEFORE SECURING MUDDING FLANGE TO CEILING - ENSURE NOTCHES ON BLOCKING SUPPORT PLATE AND MUDDING FLANGE ARE ALLIGNED

5

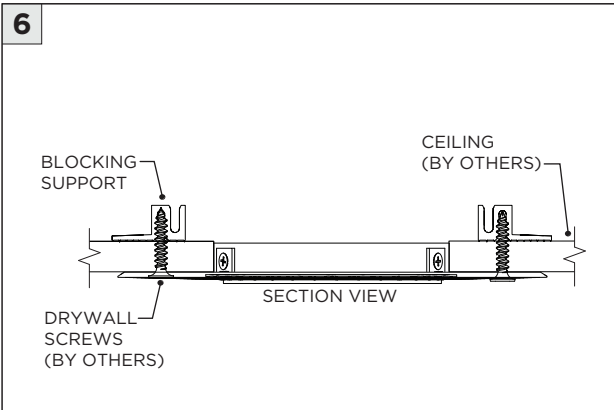


CEILING CUTOUT

DRYWALL SCREWS (BY OTHERS)

SECURE MUDDING FLANGE TO CEILING

6



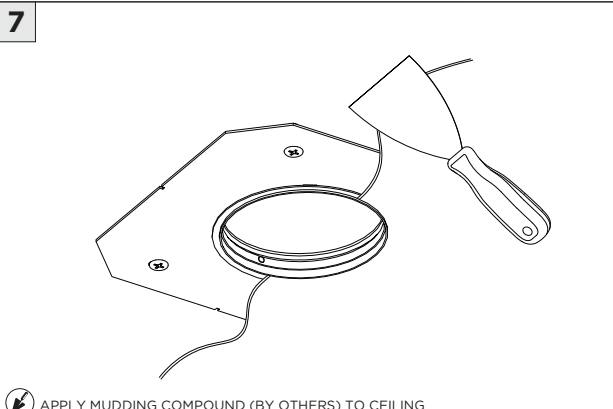
BLOCKING SUPPORT

CEILING (BY OTHERS)

DRYWALL SCREWS (BY OTHERS)

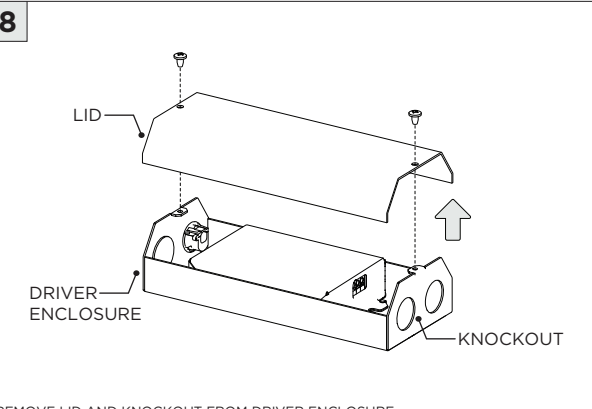
SECTION VIEW

7



APPLY MUDDING COMPOUND (BY OTHERS) TO CEILING

8



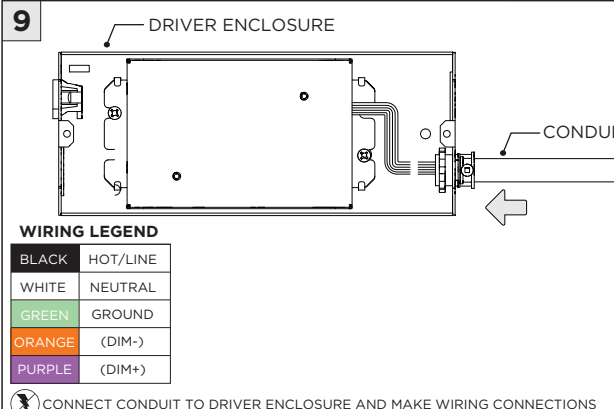
LID

DRIVER ENCLOSURE

KNOCKOUT

REMOVE LID AND KNOCKOUT FROM DRIVER ENCLOSURE

9



DRIVER ENCLOSURE

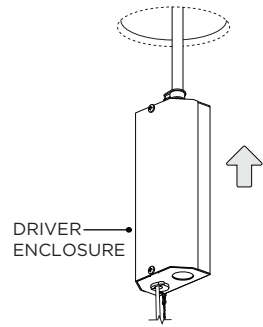
CONDUIT

WIRING LEGEND

BLACK	HOT/LINE
WHITE	NEUTRAL
GREEN	GROUND
ORANGE	(DIM-)
PURPLE	(DIM+)

⚡ CONNECT CONDUIT TO DRIVER ENCLOSURE AND MAKE WIRING CONNECTIONS

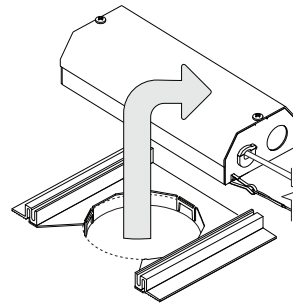
10



DRIVER
ENCLOSURE

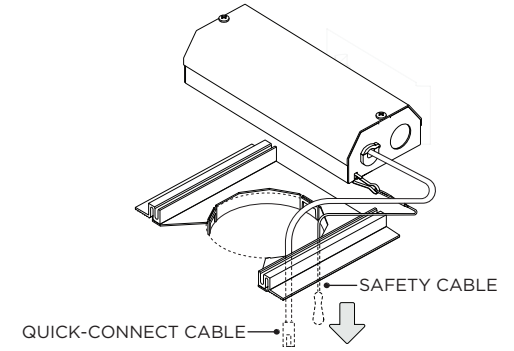
SECURE LID ONTO DRIVER ENCLOSURE AND INSERT INTO CEILING

10A



INSERT DRIVER ENCLOSURE THROUGH CUTOUT AND REST ABOVE CEILING

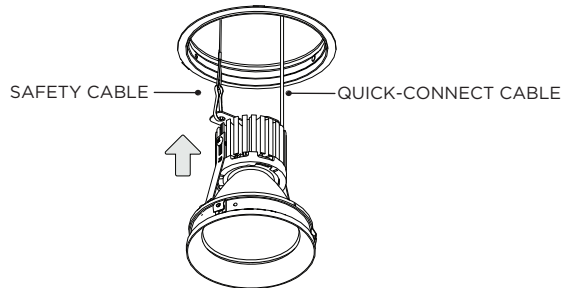
11



SAFETY CABLE
QUICK-CONNECT CABLE

FEED SAFETY CABLE & QUICK-CONNECT CABLE THROUGH CEILING CUTOUT

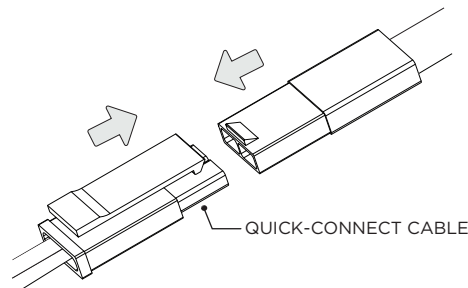
12



SAFETY CABLE
QUICK-CONNECT CABLE

INSERT LED ASSEMBLY INTO CEILING

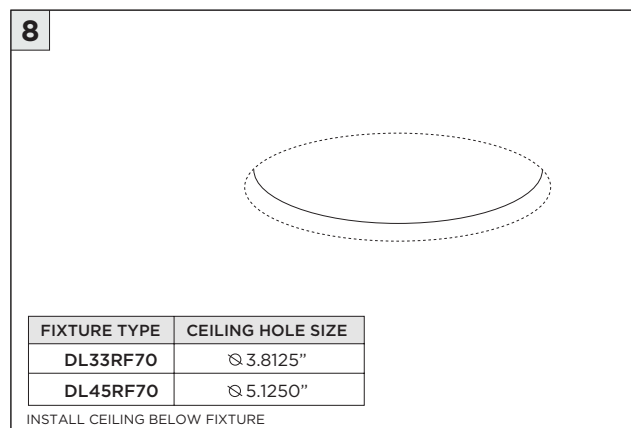
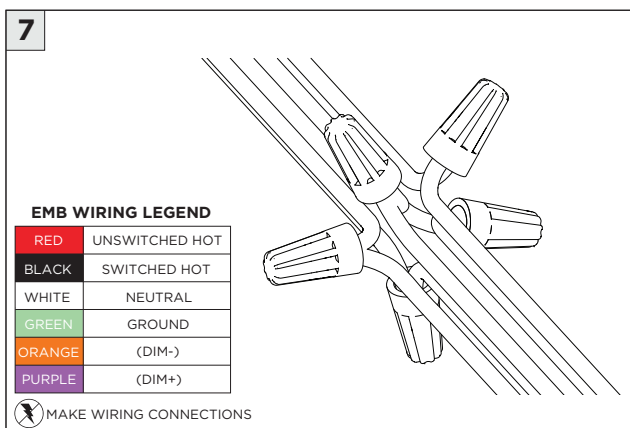
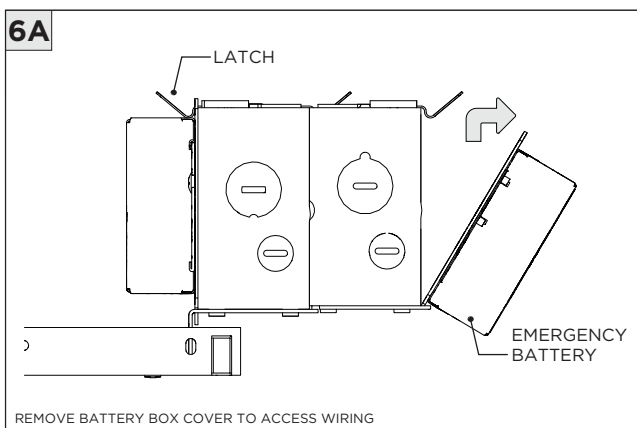
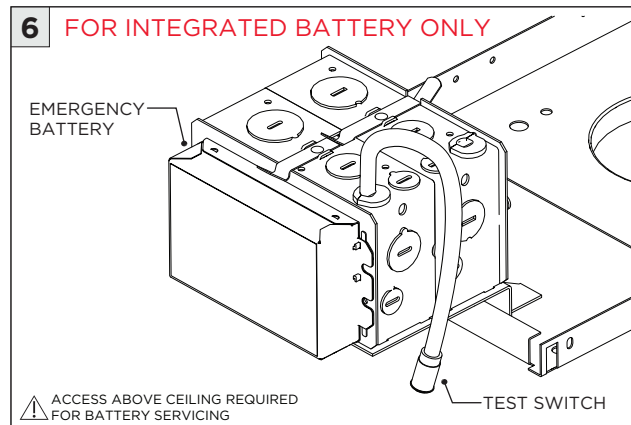
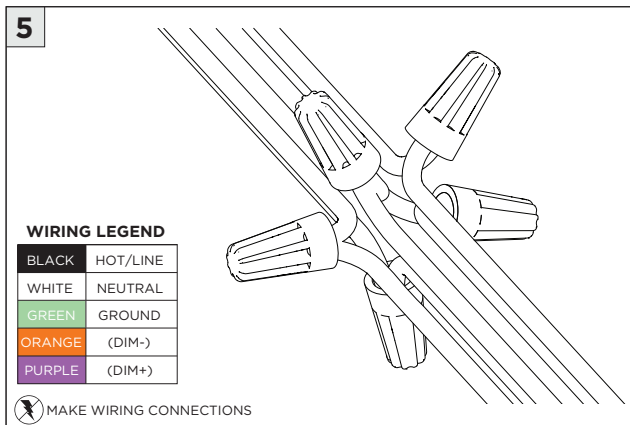
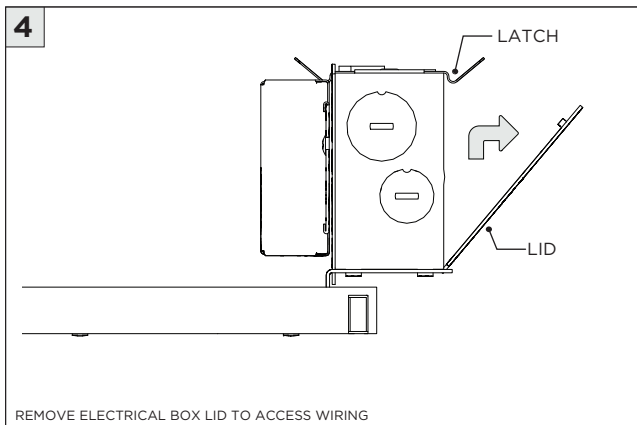
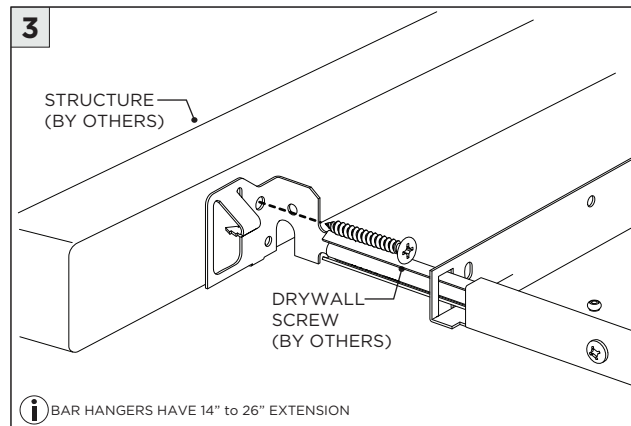
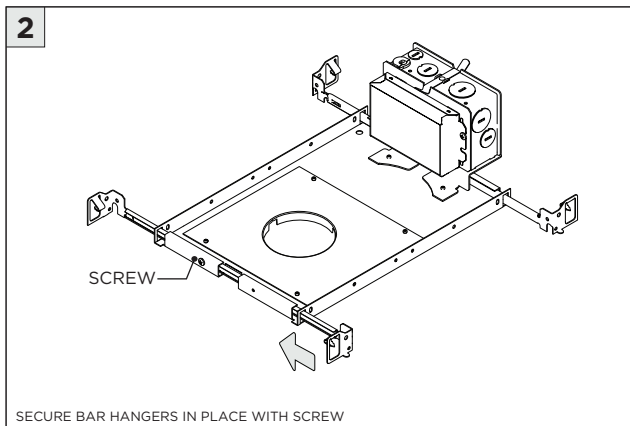
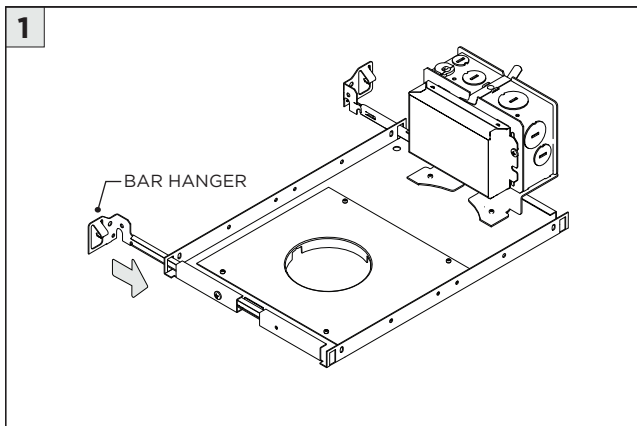
12A

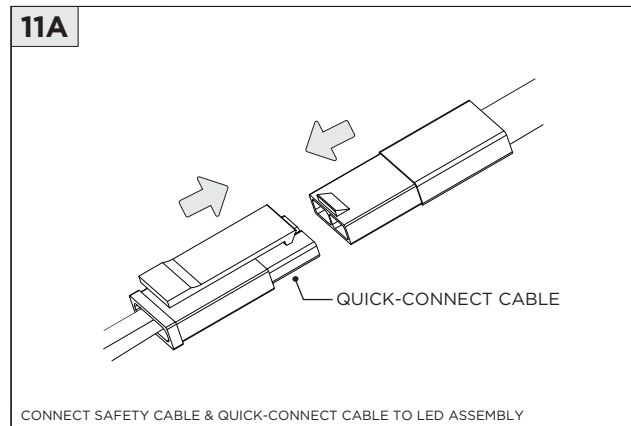
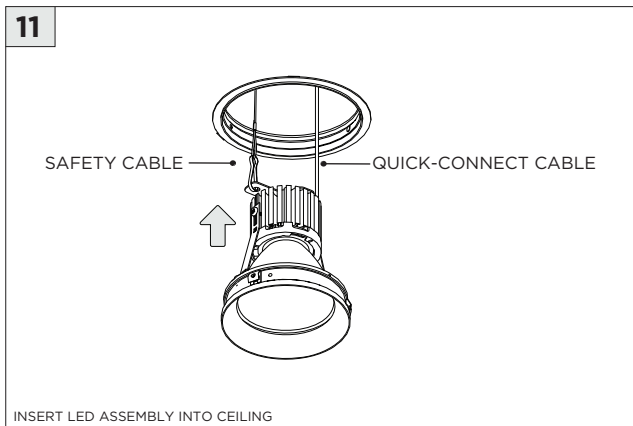
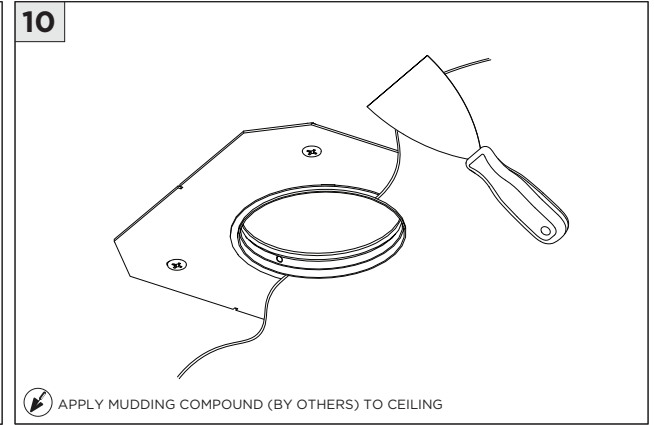
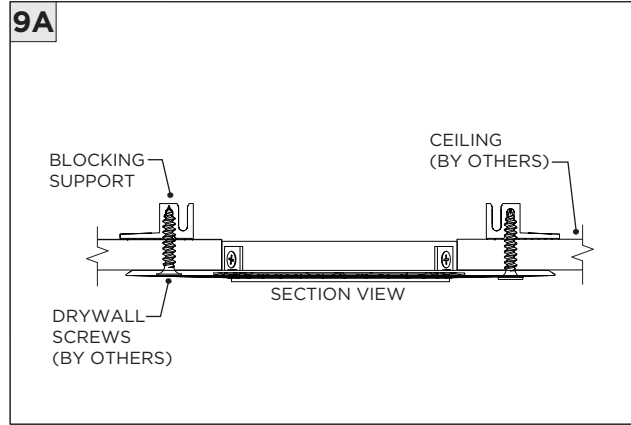
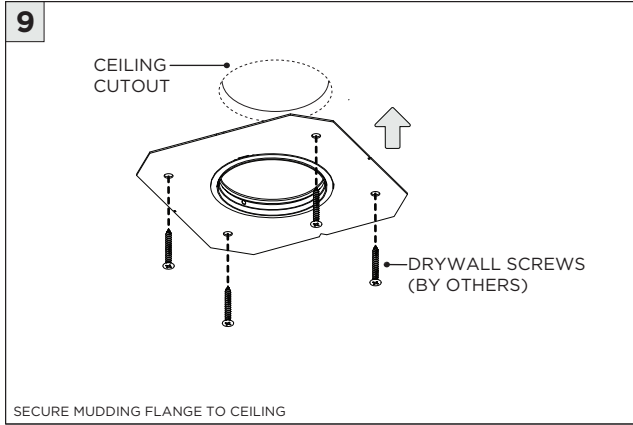


QUICK-CONNECT CABLE

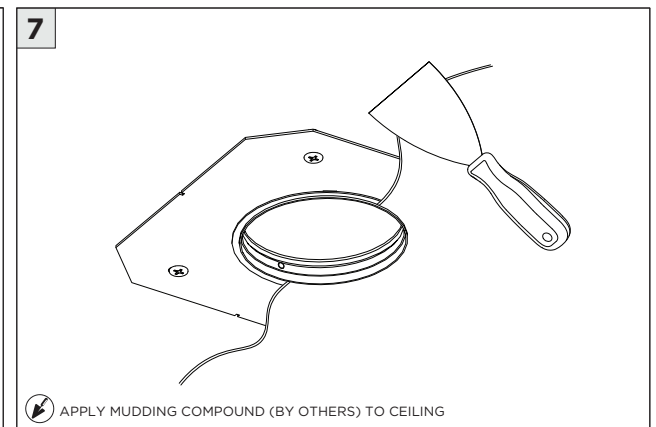
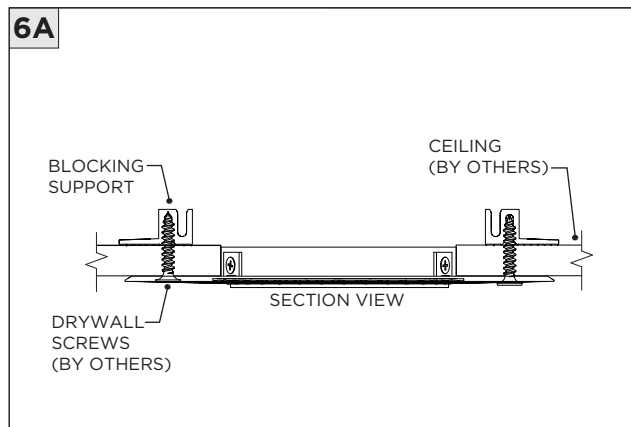
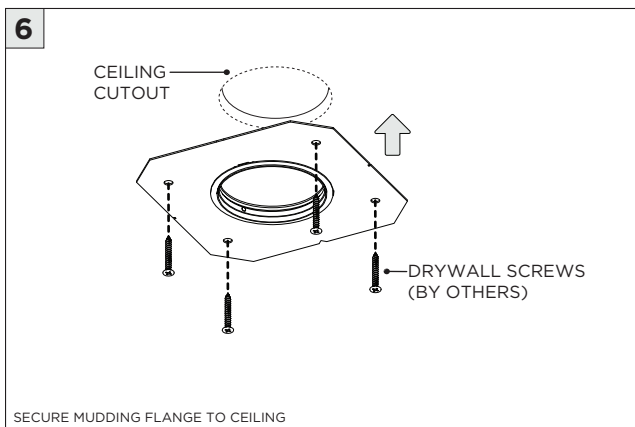
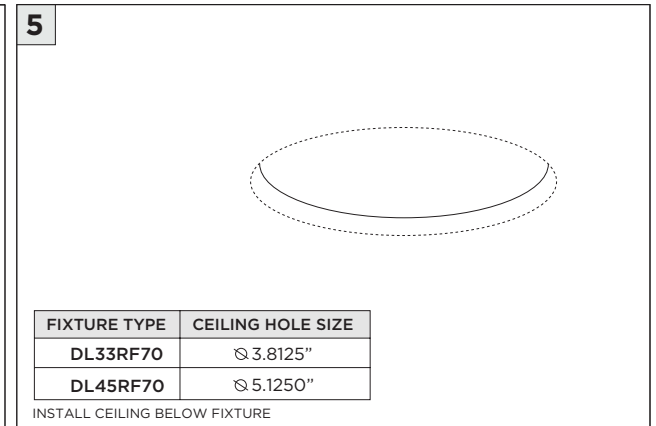
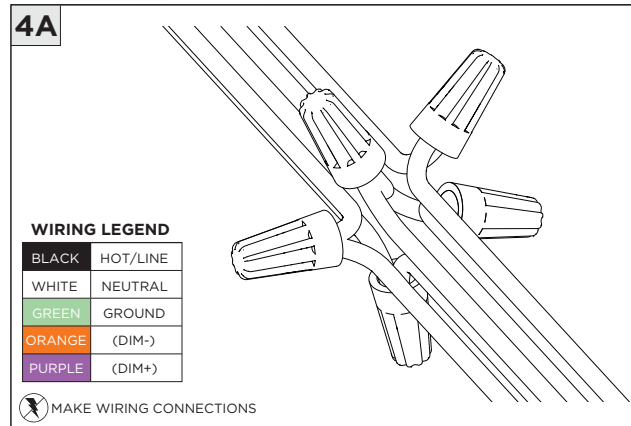
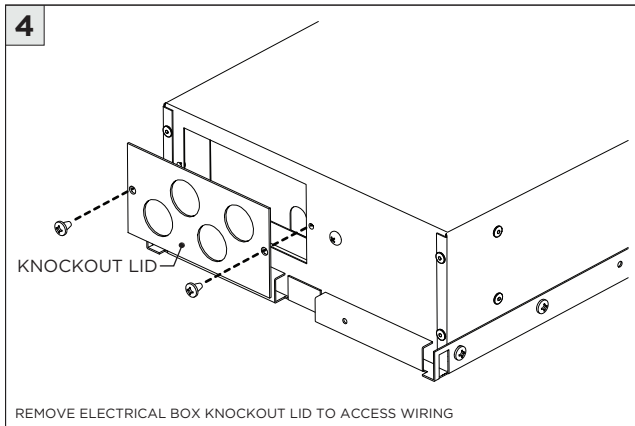
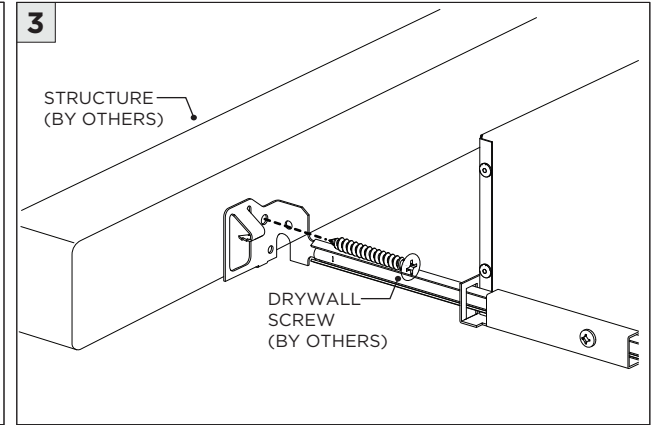
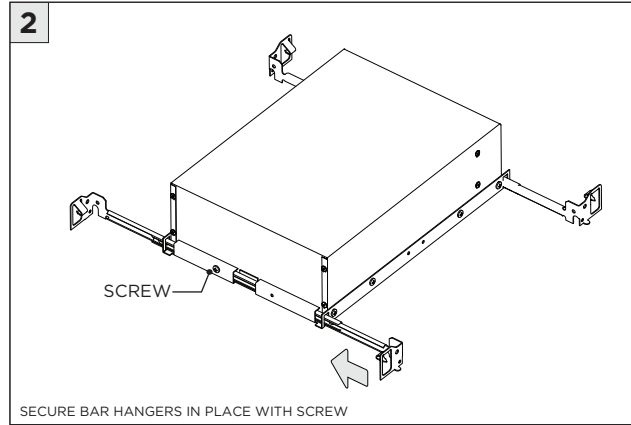
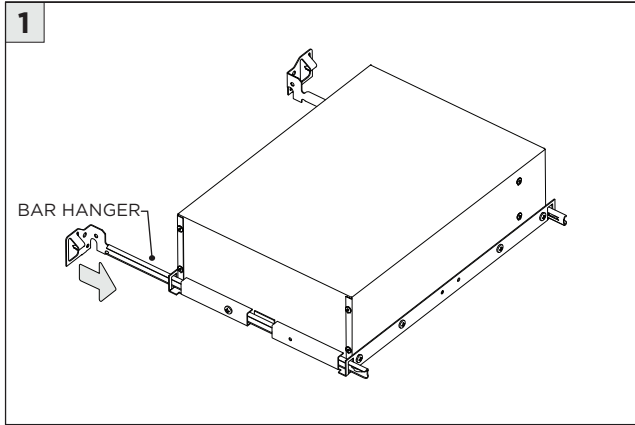
CONNECT SAFETY CABLE & QUICK-CONNECT CABLE TO LED ASSEMBLY

NCF - NEW CONSTRUCTION FRAME (FOR NEW CONSTRUCTION ONLY)

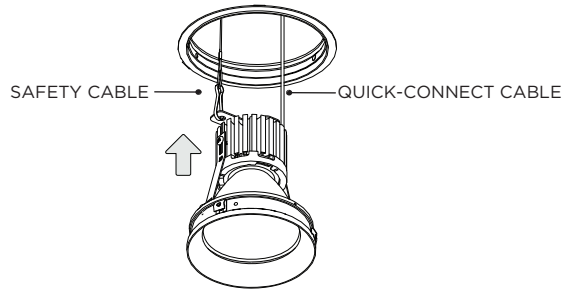




SH - SHALLOW HOUSING (FOR NEW CONSTRUCTION ONLY)

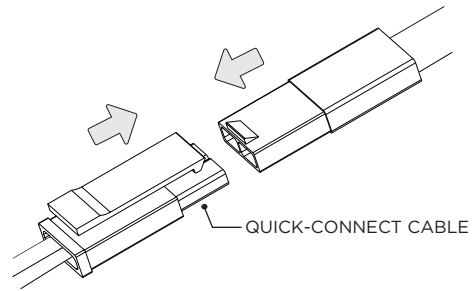


8



INSERT LED ASSEMBLY INTO CEILING

8A



CONNECT SAFETY CABLE & QUICK-CONNECT CABLE TO LED ASSEMBLY

NC/IC - NEW CONSTRUCTION HOUSING (FOR NEW CONSTRUCTION ONLY)

1 BAR HANGER INSTALLATION
(IF SUPPLIED BY 3G)

BAR HANGER (OPTIONAL)

1A

STRUCTURE (BY OTHERS)

DRYWALL SCREW (BY OTHERS)

DRYWALL SCREW (BY OTHERS)

2 OTHER BAR HANGER INSTALLATION
(NOT PROVIDED BY 3G)

FURRING STRIP CHANNEL

1/2" EMT (x2)

1/2" x 1-1/2" CHANNEL

POSITION 5/8" - 3/4" BAR HANGERS

2 POSITIONS FOR 1/2" BAR HANGERS

BUTTERFLY BRACKET SIDE VIEW

3

KNOCKOUT LID

REMOVE ELECTRICAL BOX KNOCKOUT LID TO ACCESS WIRING

3A

WIRING LEGEND

BLACK	HOT/LINE
WHITE	NEUTRAL
GREEN	GROUND
ORANGE	(DIM-)
PURPLE	(DIM+)

MAKE WIRING CONNECTIONS

4

FIXTURE TYPE	CEILING HOLE SIZE
DL33RF70	Ø 3.8125"
DL45RF70	Ø 5.1250"

INSTALL CEILING BELOW FIXTURE

5

CEILING CUTOUT

DRYWALL SCREWS (BY OTHERS)

SECURE MUDDING FLANGE TO CEILING

5A

BLOCKING SUPPORT

CEILING (BY OTHERS)

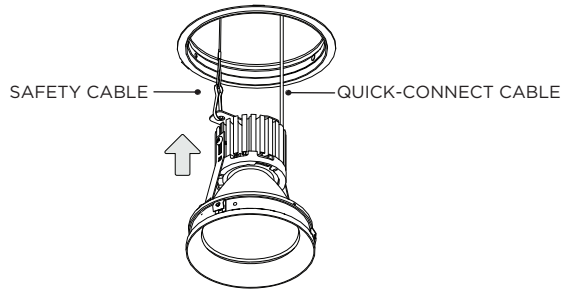
SECTION VIEW

DRYWALL SCREWS (BY OTHERS)

6

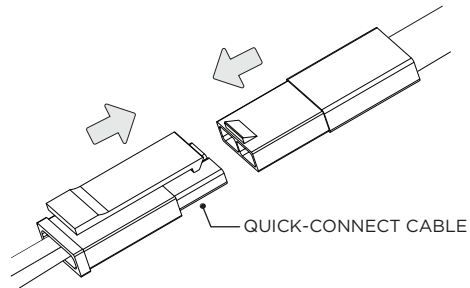
APPLY MUDDING COMPOUND (BY OTHERS) TO CEILING

7



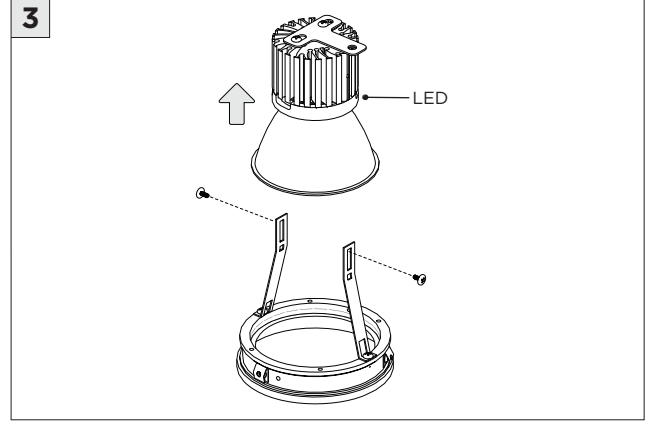
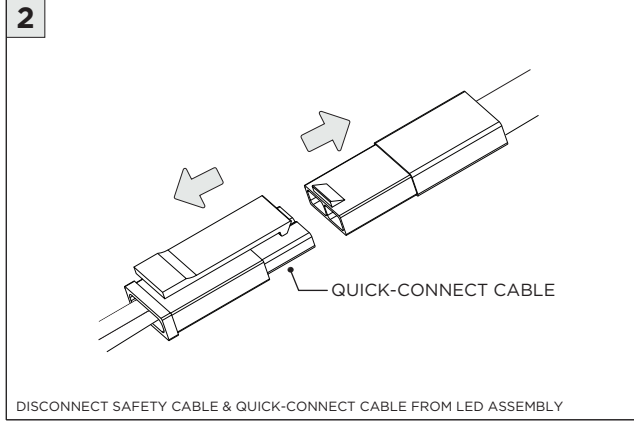
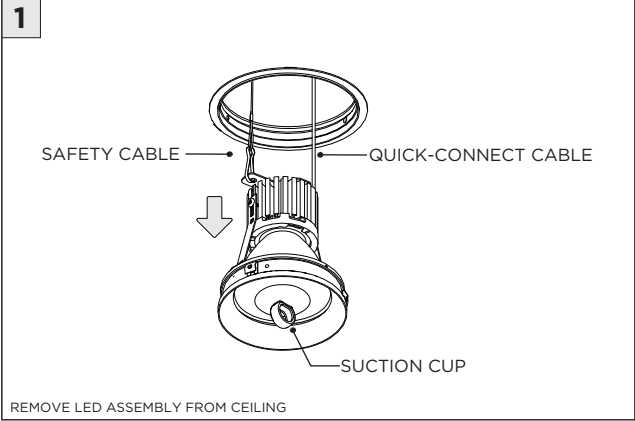
INSERT LED ASSEMBLY INTO CEILING

7A



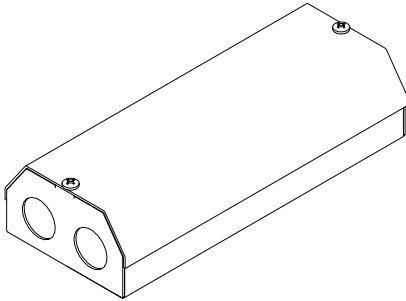
CONNECT SAFETY CABLE & QUICK-CONNECT CABLE TO LED ASSEMBLY

LED SERVICING



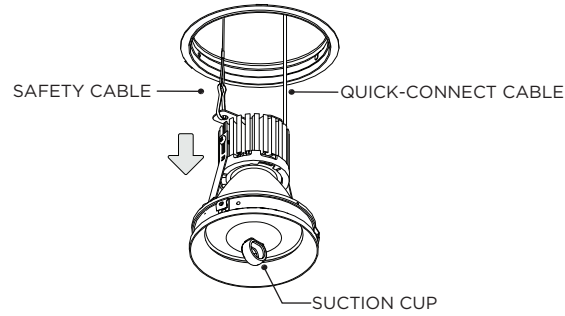
DRIVER SERVICING

1 RMD - REMODEL



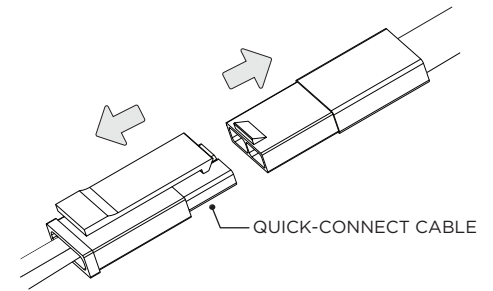
 DISCONNECT POWER BEFORE SERVICING

2



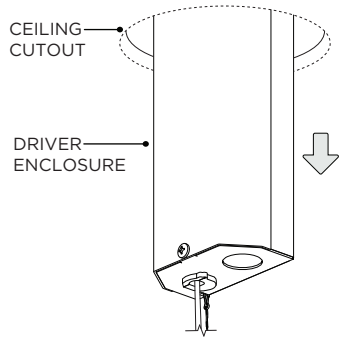
REMOVE LED ASSEMBLY FROM CEILING

2A

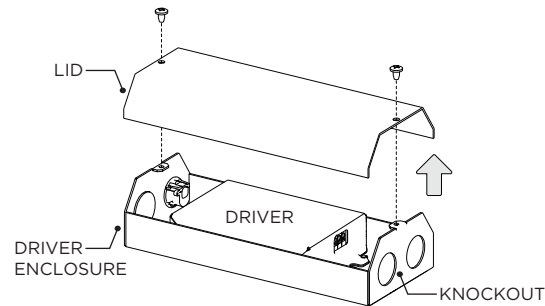


DISCONNECT SAFETY CABLE & QUICK-CONNECT CABLE FROM LED ASSEMBLY

3

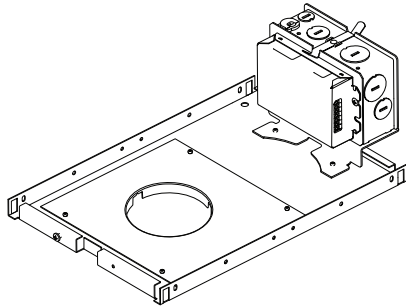


4



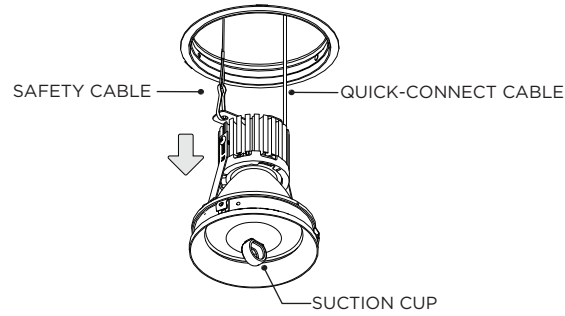
DRIVER SERVICING

1 NCF - NEW CONSTRUCTION FRAME



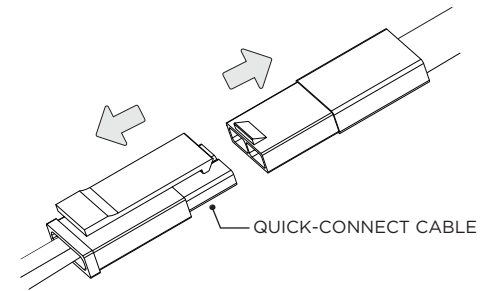
DISCONNECT POWER BEFORE SERVICING

2



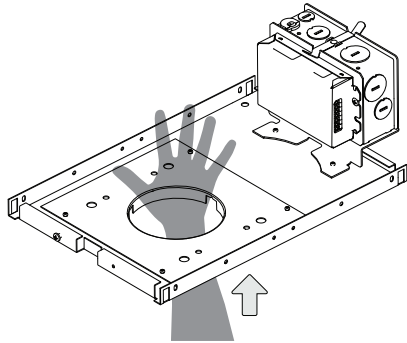
REMOVE LED ASSEMBLY FROM CEILING

2A

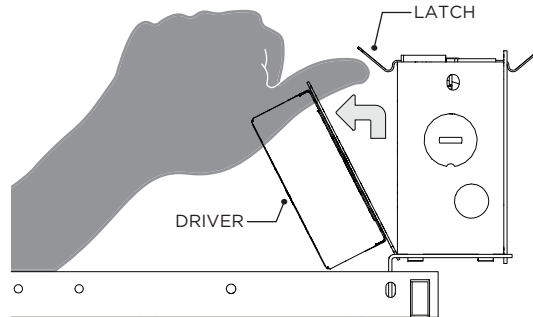


DISCONNECT SAFETY CABLE & QUICK-CONNECT CABLE FROM LED ASSEMBLY

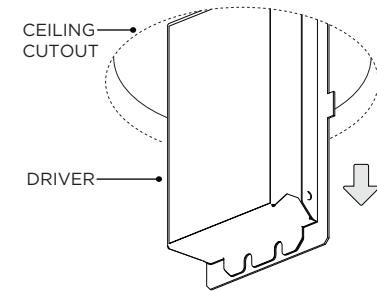
3



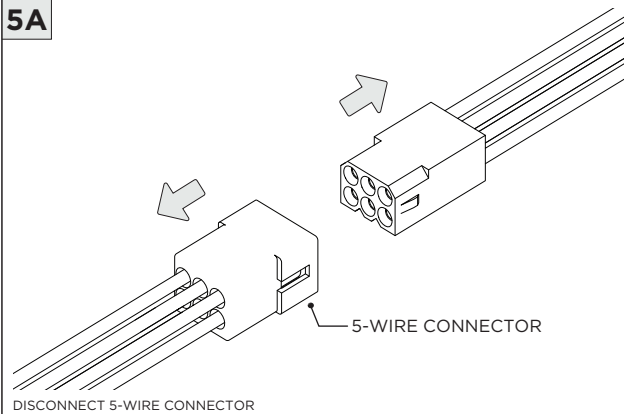
4



5



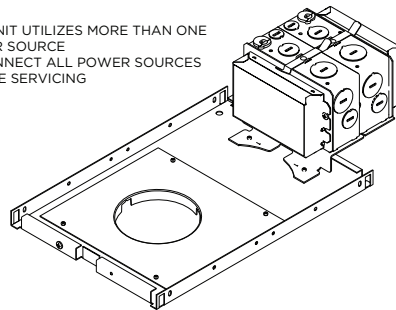
5A



DISCONNECT 5-WIRE CONNECTOR

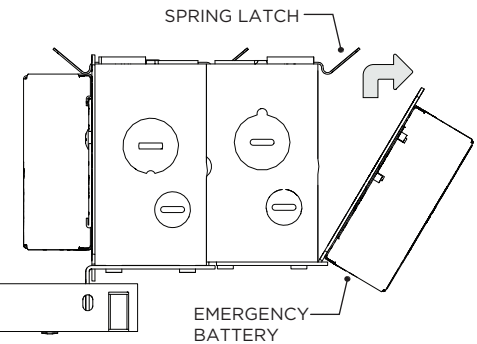
6 NCF - NEW CONSTRUCTION FRAME FOR INTEGRATED BATTERY ONLY

THIS UNIT UTILIZES MORE THAN ONE POWER SOURCE
DISCONNECT ALL POWER SOURCES BEFORE SERVICING



ACCESS ABOVE CEILING REQUIRED FOR DRIVER SERVICING

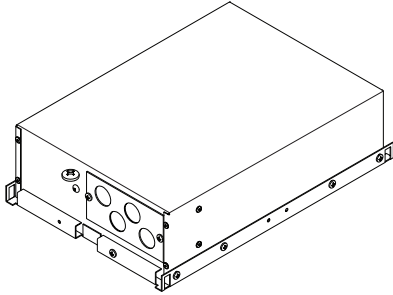
7



REMOVE BATTERY BOX COVER TO ACCESS WIRING

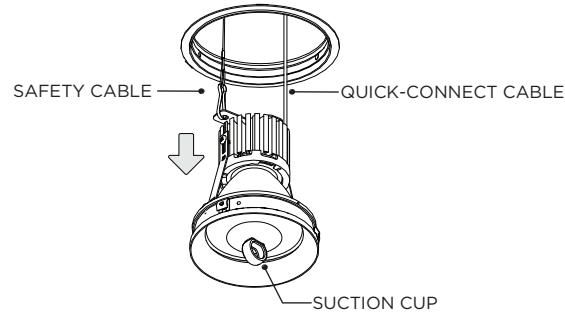
DRIVER SERVICING

1 SH - SHALLOW HOUSING



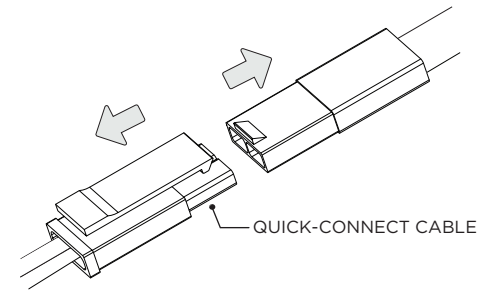
DISCONNECT POWER BEFORE SERVICING

2



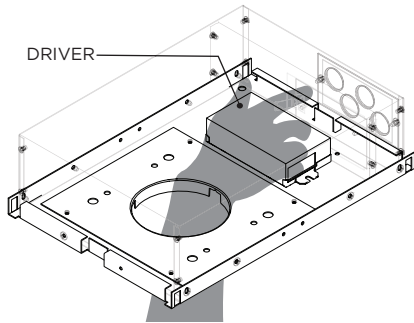
REMOVE LED ASSEMBLY FROM CEILING

2A



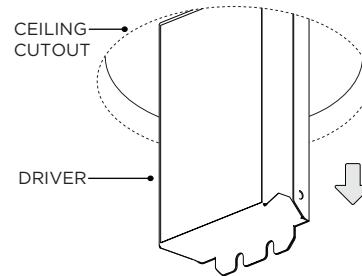
DISCONNECT SAFETY CABLE & QUICK-CONNECT CABLE FROM LED ASSEMBLY

3

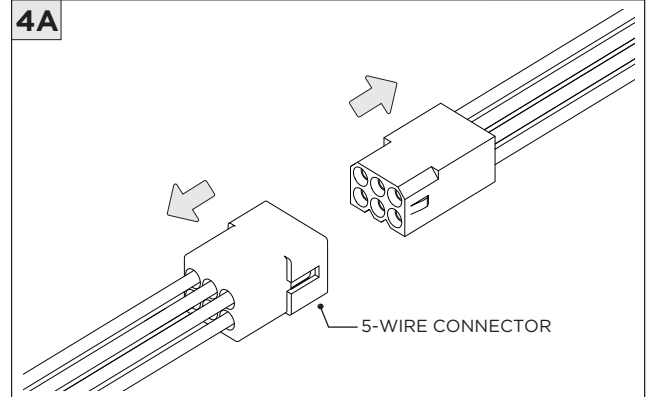


REMOVE DRIVER - SECURED WITH HOOK-AND-LOOP FASTENER

4



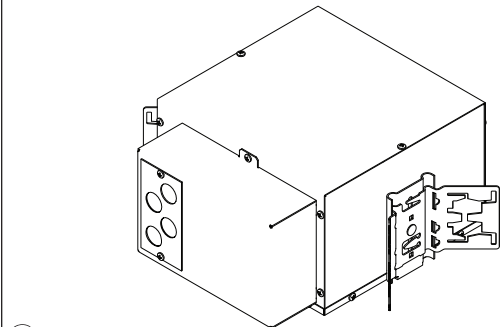
4A



DISCONNECT 5-WIRE CONNECTOR

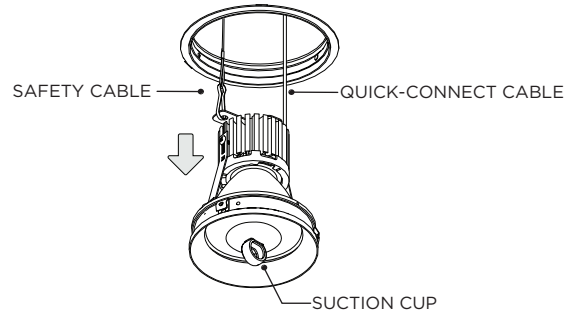
DRIVER SERVICING

1 NC/IC - NEW CONSTRUCTION HOUSING



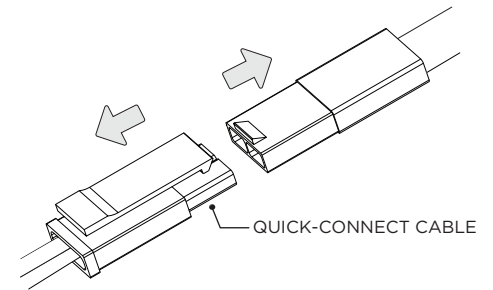
DISCONNECT POWER BEFORE SERVICING

2



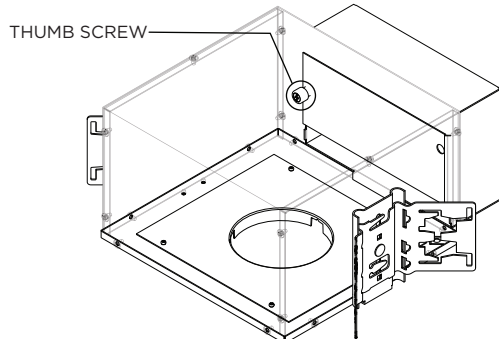
REMOVE LED ASSEMBLY FROM CEILING

2A



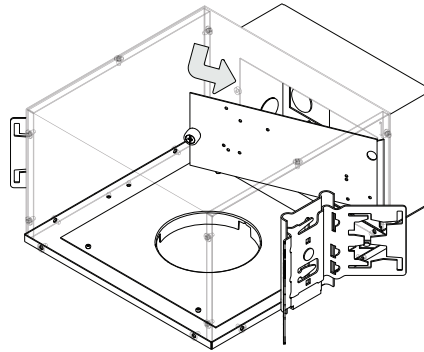
DISCONNECT SAFETY CABLE & QUICK-CONNECT CABLE FROM LED ASSEMBLY

3

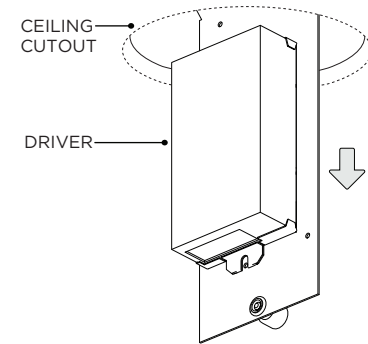


THUMB SCREW

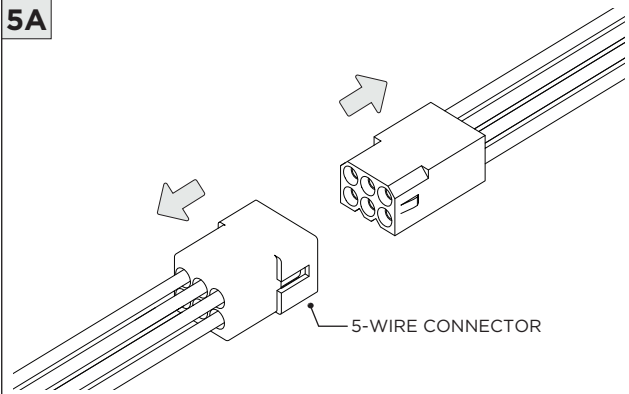
4



5



5A



5-WIRE CONNECTOR

DISCONNECT 5-WIRE CONNECTOR