



3GQ-DL33RF70

3.3" ROUND FIXED
DEEP REGRESS



Small 3.3" deep regress, high performance downlight
 Regressed LED source for enhanced glare control
 Lumen range up to 2200lm
 2 SCDM, Citizen LED source available in 30K and 35K (80+ CRI)
 Universal voltage, 0-10V integral driver with 100-1% dimming range
 Shallow housing available along with other housing options

10 DAY QUICKSHIP
 MAX ORDER SIZE: 50 pcs

PROJECT:		TYPE:	
CATALOG#:		DATE:	QTY:

CAT. NO	LUMEN OUTPUT	CRI	COLOR TEMP	BEAM ANGLE	VOLTAGE
3GQ-DL33RF70	10 - 1000 LUMENS 15 - 1500 LUMENS * 22 - 2200 LUMENS <small>*JA8 (Title 24) max lumen output is 1500lm.</small>	S80 - 80+ CRI	30K - 3000K 35K - 3500K	20D - 20° 40D - 40° 60D - 60°	UNV - 120/277

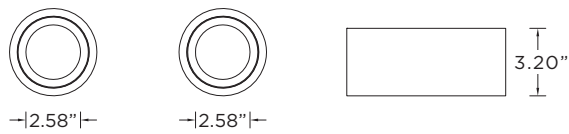
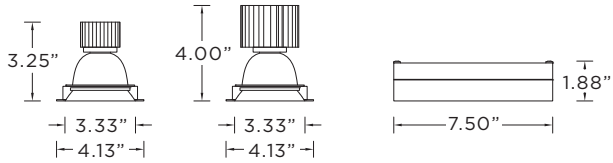
DRIVER	FLANGE TYPE	BEVELED INSERT	HOUSING TYPE	OPTIONS
DIM - 0-10V (100-1%)	WT - WHITE TRIM XTR - TRIMLESS <small>(MUD-IN DRYWALL)</small>	WI - WHITE	RMD - REMODEL (NON-IC) NCF - NEW CONSTRUCTION FRAME (NON-IC) SH - SHALLOW HOUSING (IC RATED & CP RATED) NC - NEW CONSTRUCTION HOUSING (NON-IC & CP RATED)	BH - C-CHANNEL BAR HANGERS CP - CHICAGO PLENUM ¹

¹ Chicago Plenum option available with Shallow Housing and New Construction Housing

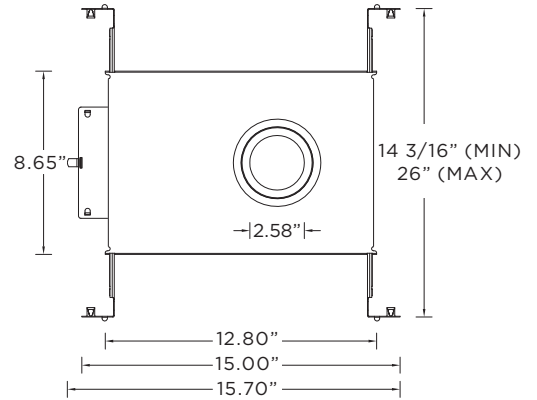
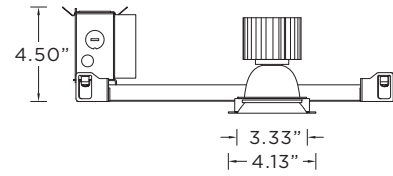
Refer to standard specification sheets for complete details. Please note that only options shown above qualify for 10 day 3GQ program



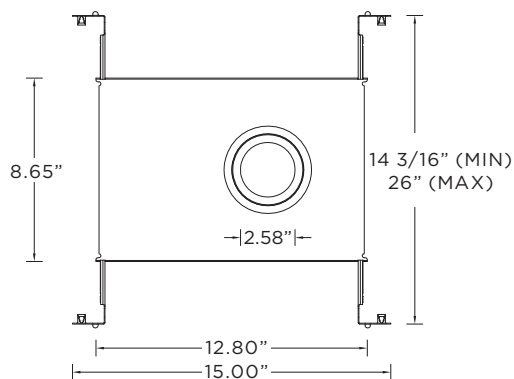
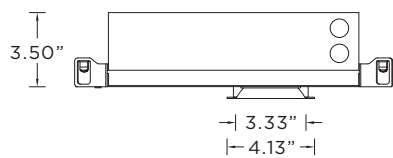
RMD - REMODEL (NON-IC)



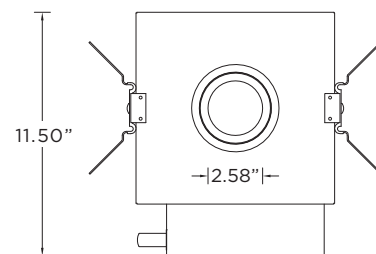
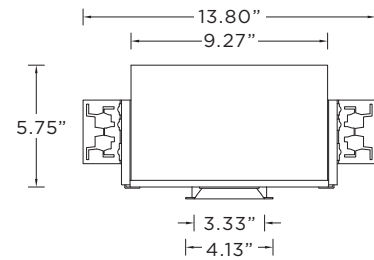
NCF - NEW CONSTRUCTION FRAME (NON-IC)



SH - SHALLOW HOUSING (IC AND CHICAGO PLENUM RATED)

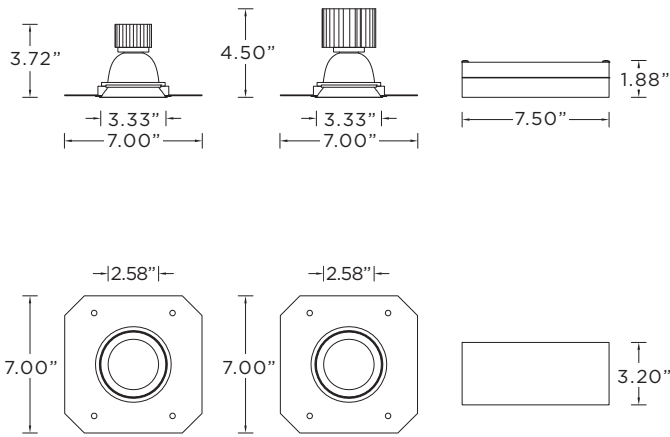


NC - NEW CONSTRUCTION HOUSING (NON-IC AND CP RATED)

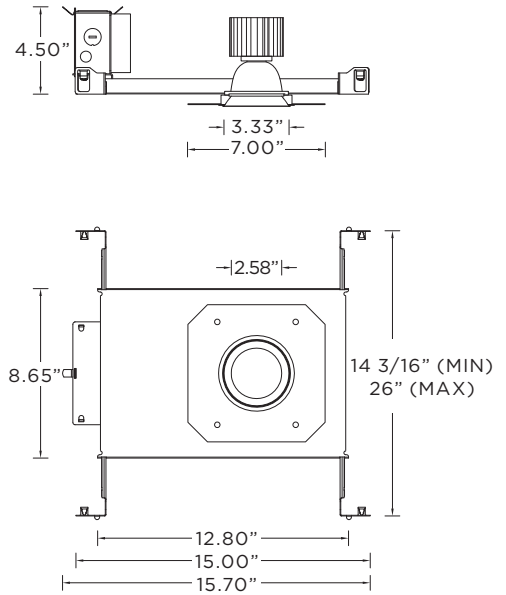




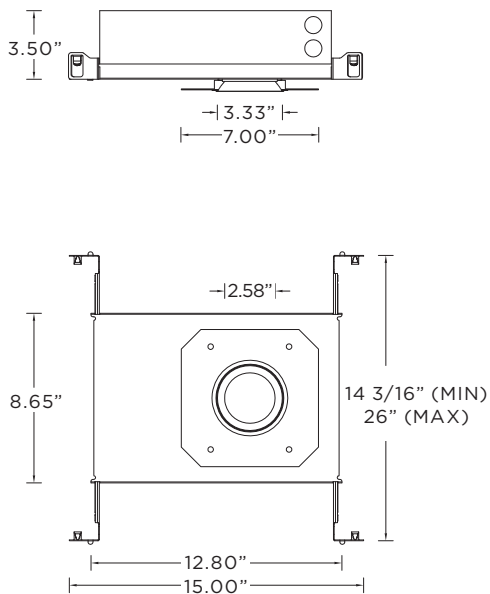
RMD - REMODEL (NON-IC)



NCF - NEW CONSTRUCTION FRAME (NON-IC)



SH - SHALLOW HOUSING (IC AND CHICAGO PLENUM RATED)



NC - NEW CONSTRUCTION HOUSING (NON-IC AND CP RATED)

