

3.3"/4.5" ROUND ADJUSTABLE DOWNLIGHT FLANGELESS MILLWORK

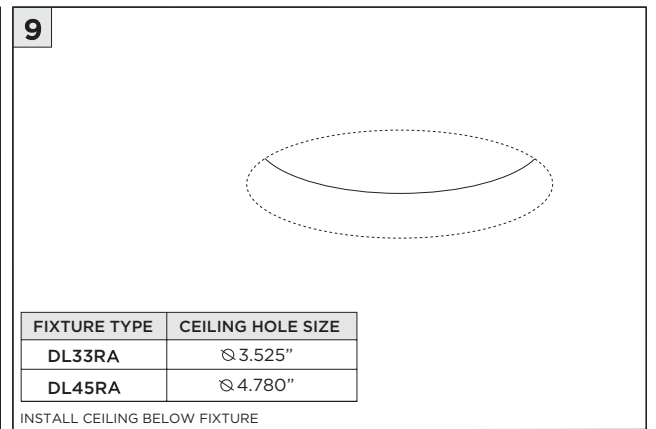
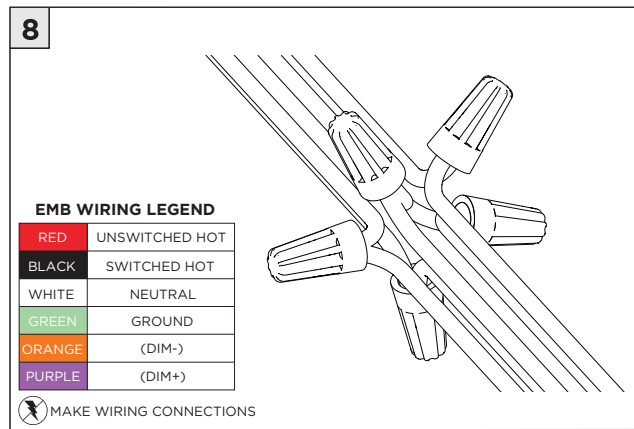
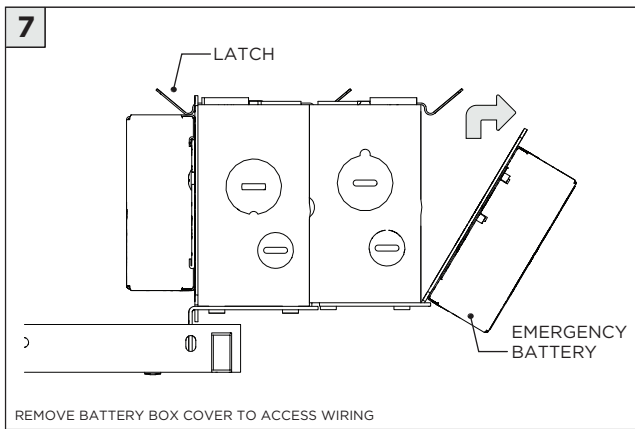
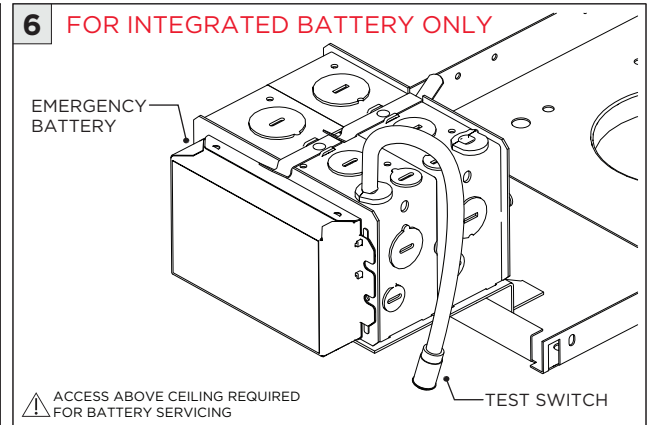
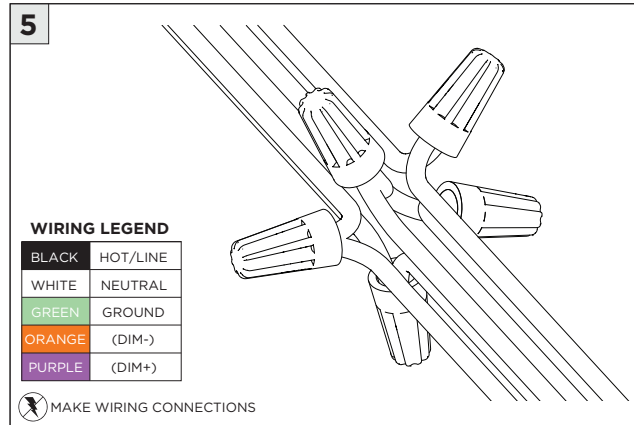
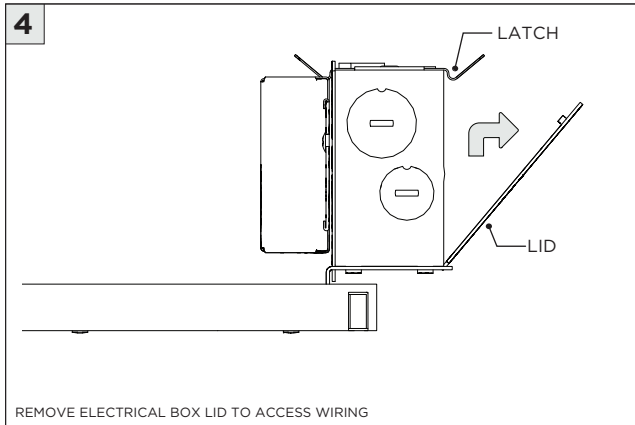
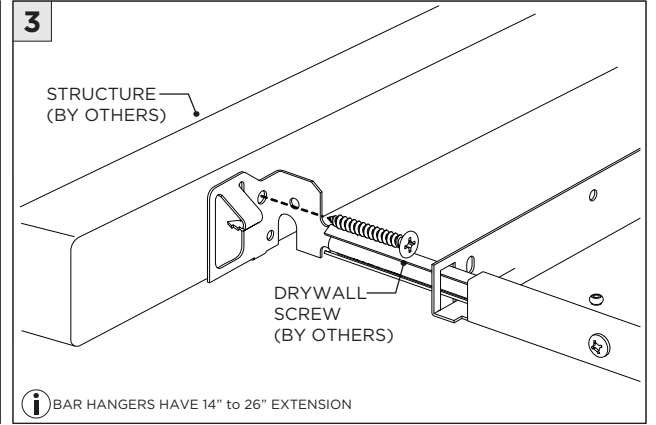
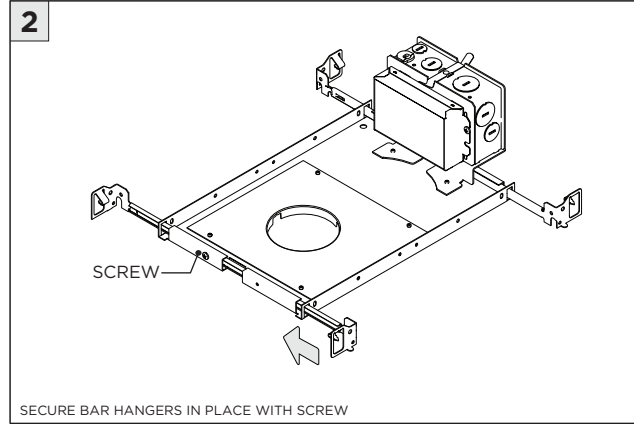
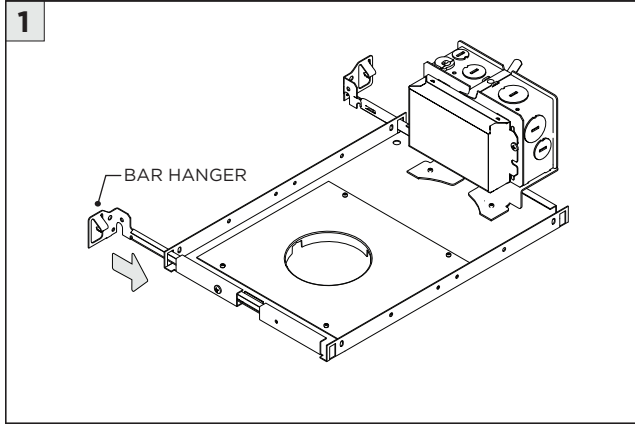


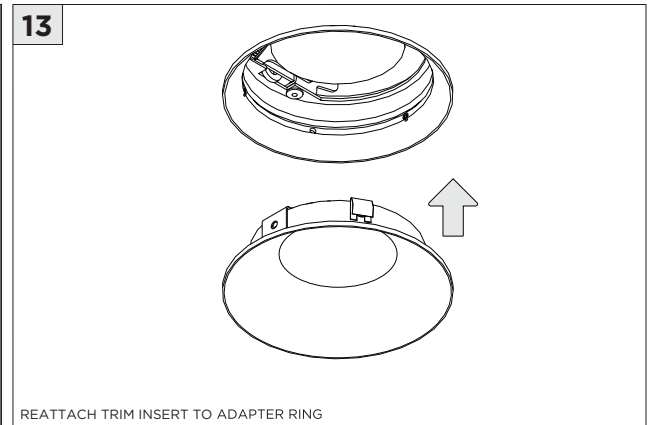
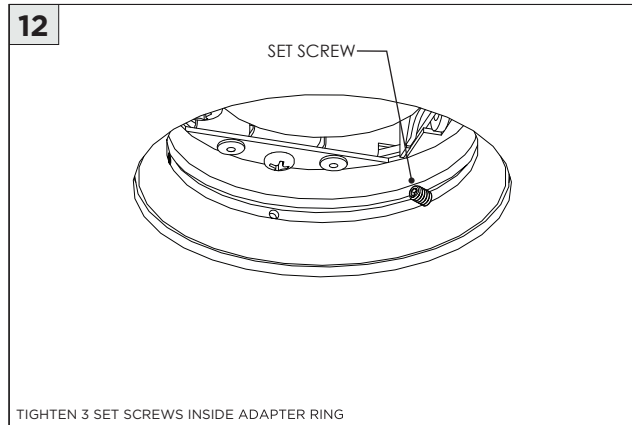
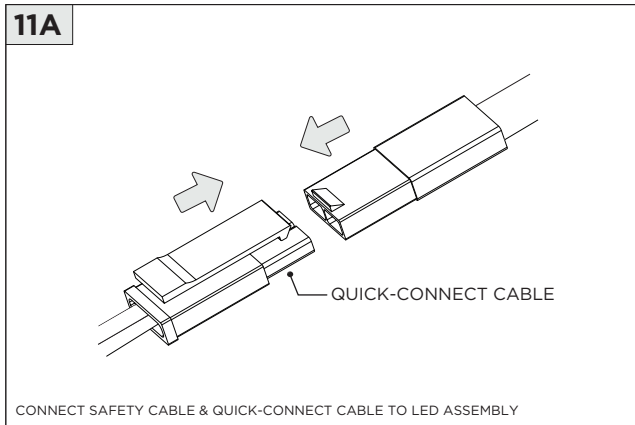
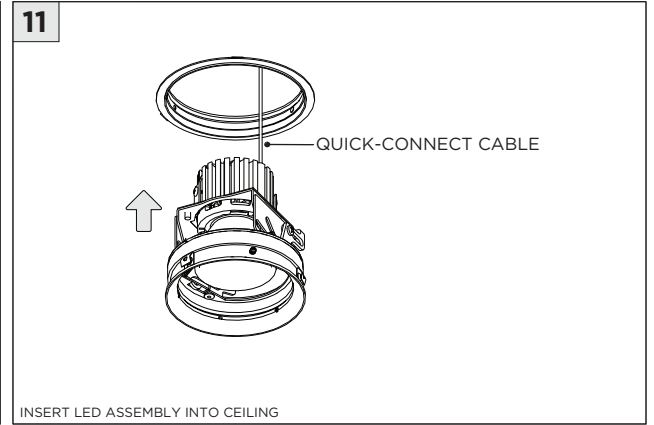
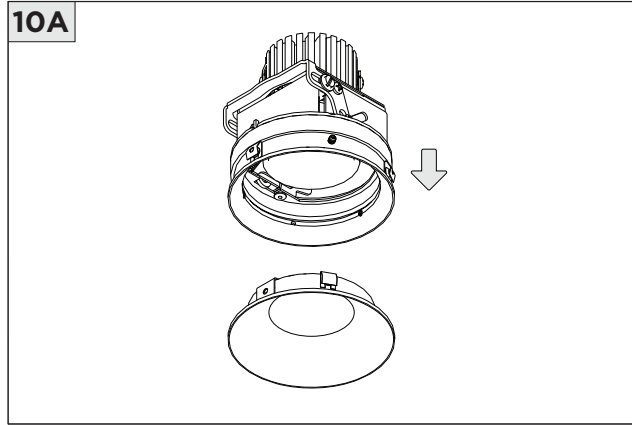
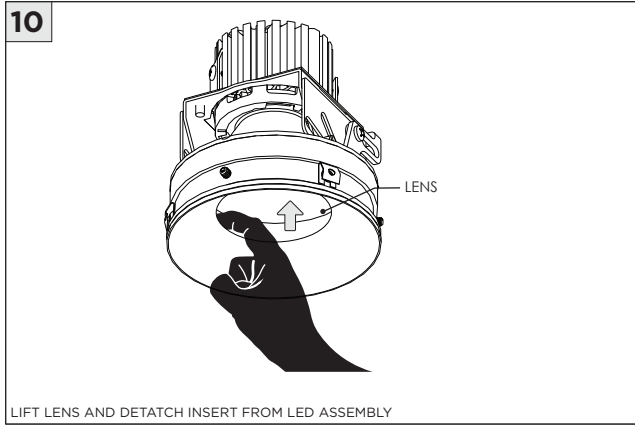
i THE IMAGES SHOWN ARE FOR ILLUSTRATION PURPOSES ONLY AND MAY NOT BE AN EXACT REPRESENTATION OF THE PRODUCT

INCLUDED COMPONENTS	
<p>NCF - NEW CONSTRUCTION FRAME (FOR NEW CONSTRUCTION ONLY)</p> <p>LED INSERT NEW CONSTRUCTION FRAME BAR HANGERS</p>	<p>SH - SHALLOW HOUSING (FOR NEW CONSTRUCTION ONLY)</p> <p>LED INSERT SHALLOW HOUSING BAR HANGERS</p>
<p>NC/IC - NEW CONSTRUCTION HOUSING (FOR NEW CONSTRUCTION ONLY)</p> <p>LED INSERT NEW CONSTRUCTION HOUSING BAR HANGERS (OPTIONAL)</p>	

INSTRUCTION KEY	INFORMATION
	ADDITIONAL INSTALLATION SHOULD ONLY BE PERFORMED BY A CERTIFIED ELECTRICIAN
	ATTENTION REFER TO LOCAL/NATIONAL CODES FOR PROPER INSTALLATION FAILURE TO FOLLOW INSTALLATION INSTRUCTION MAY VOID THE WARRANTY
	POWER ON DO NOT TOUCH LEDS. LEDS MUST BE PROTECTED FROM MECHANICAL STRESS OR DEBRIS
	POWER OFF TURN OFF POWER DURING INSTALLATION OR SERVICING

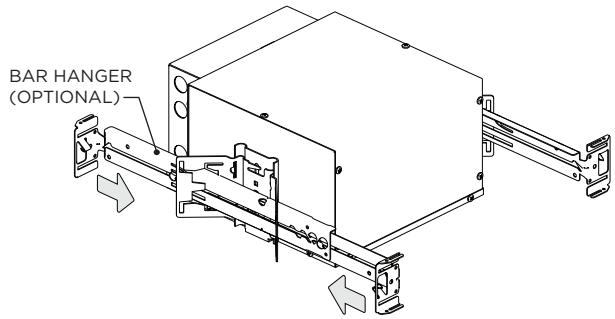
NCF - NEW CONSTRUCTION FRAME (FOR NEW CONSTRUCTION ONLY)



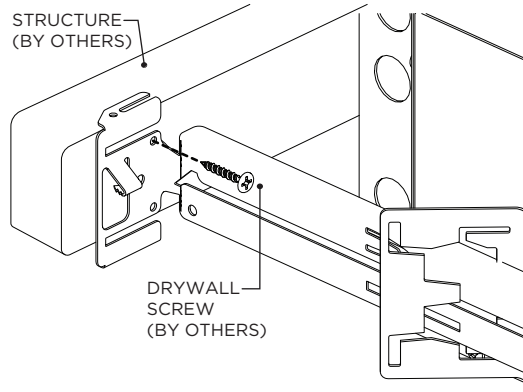


NC/IC - NEW CONSTRUCTION HOUSING (FOR NEW CONSTRUCTION ONLY)

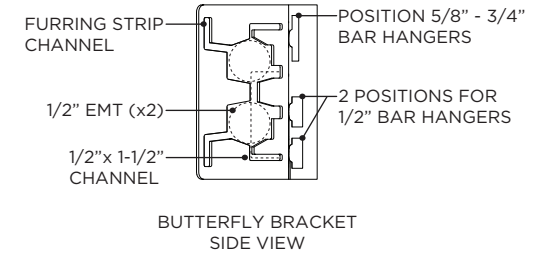
1 BAR HANGER INSTALLATION
(IF SUPPLIED BY 3G)



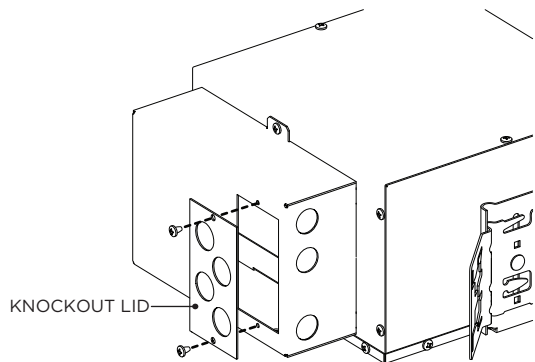
1A



2 OTHER BAR HANGER INSTALLATION
(NOT PROVIDED BY 3G)



3



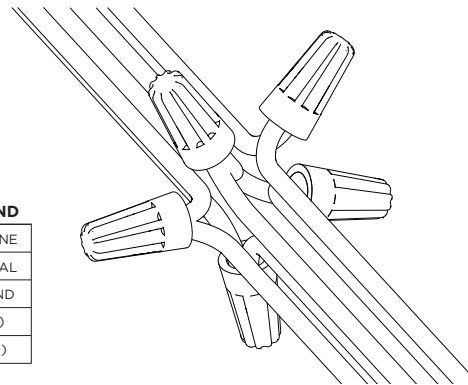
REMOVE ELECTRICAL BOX KNOCKOUT LID TO ACCESS WIRING

3A

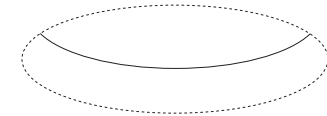
WIRING LEGEND

BLACK	HOT/LINE
WHITE	NEUTRAL
GREEN	GROUND
ORANGE	(DIM-)
PURPLE	(DIM+)

MAKE WIRING CONNECTIONS

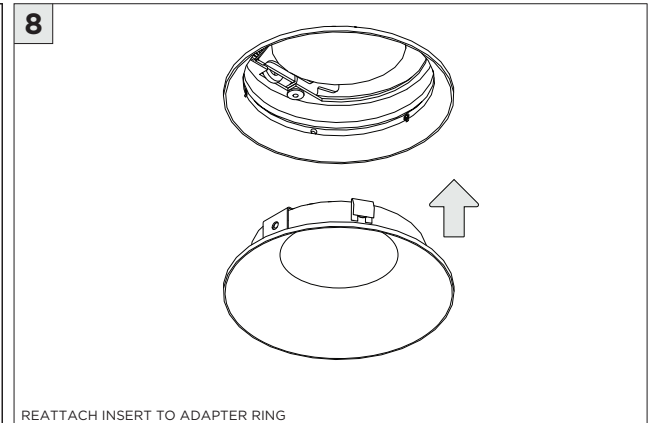
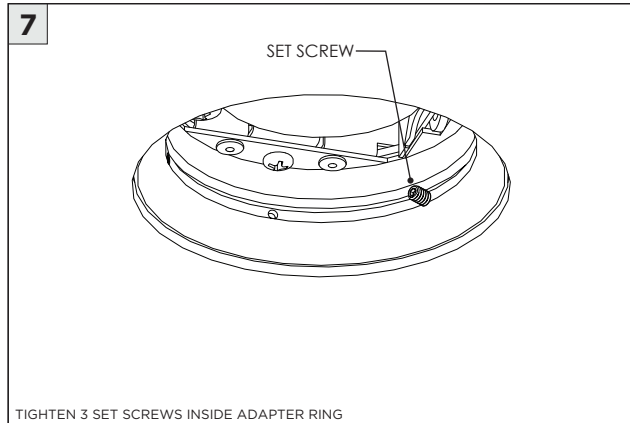
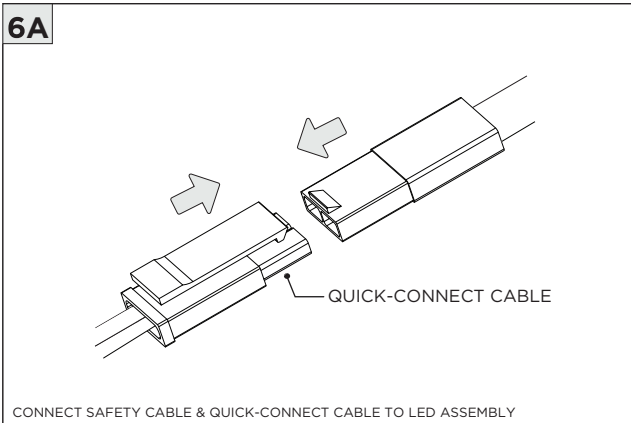
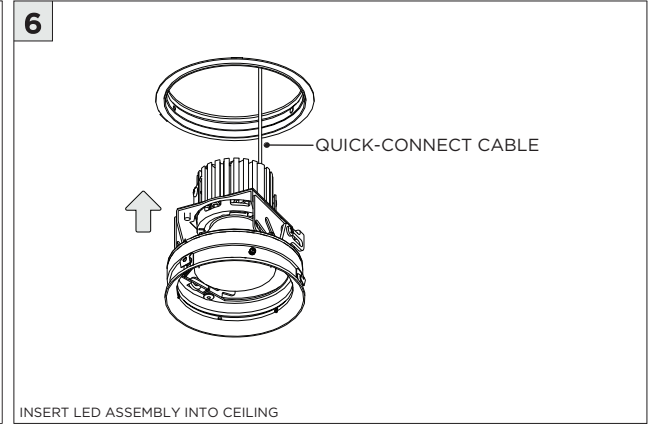
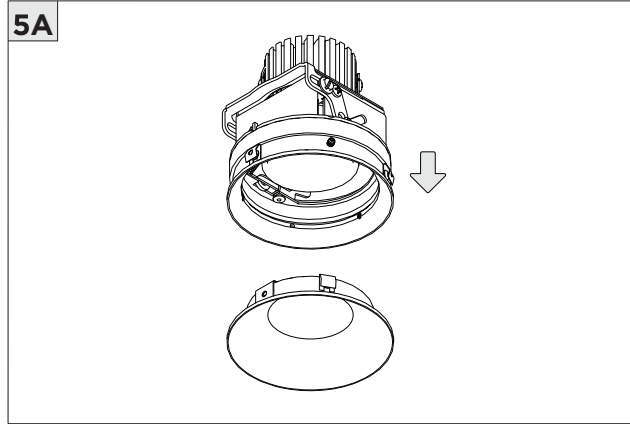
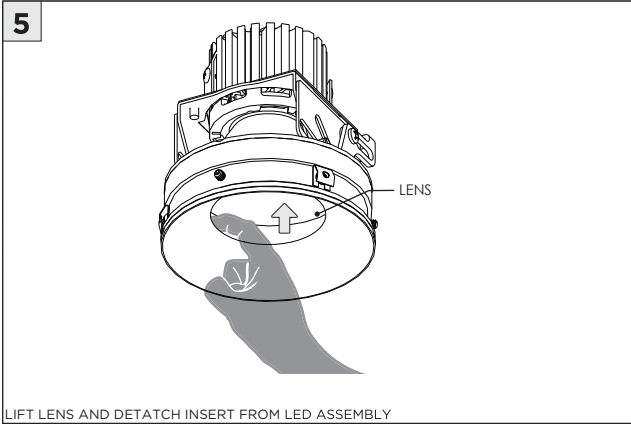


4

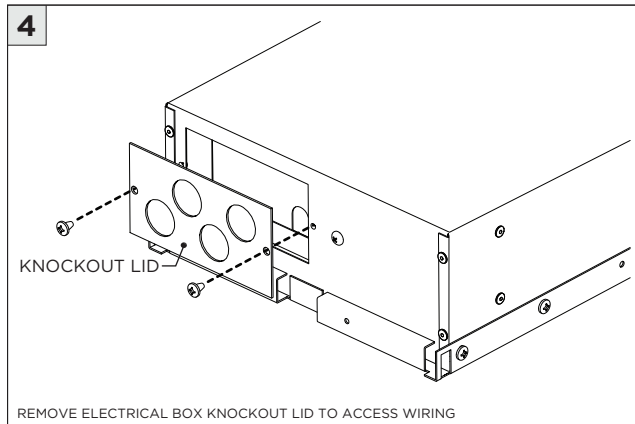
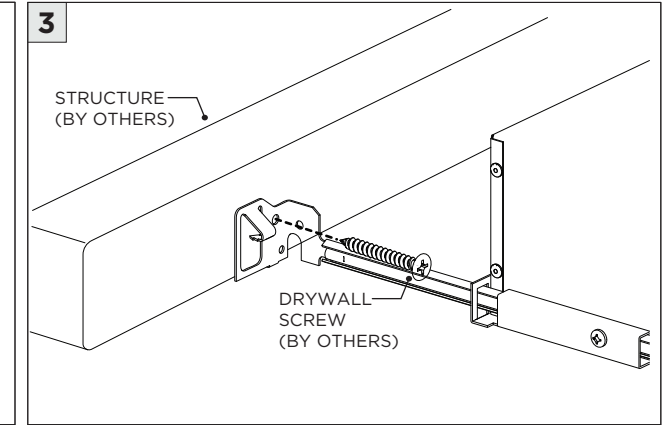
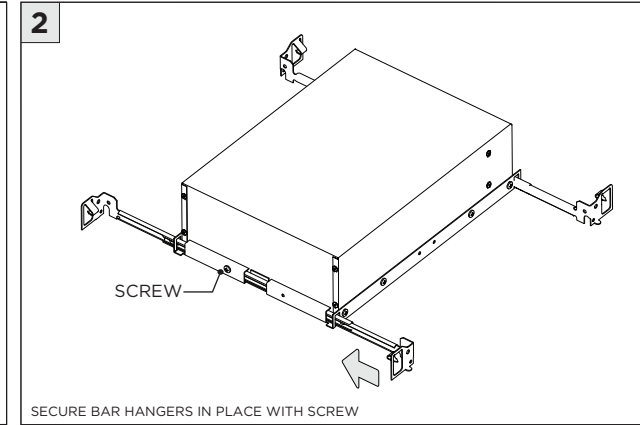
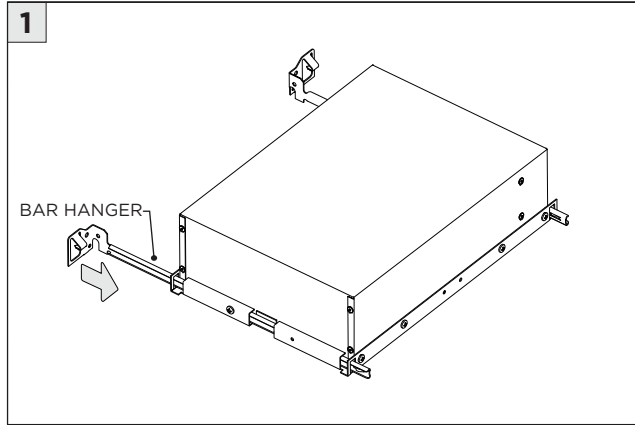


FIXTURE TYPE	CEILING HOLE SIZE
DL33RA	∅ 3.525"
DL45RA	∅ 4.780"

INSTALL CEILING BELOW FIXTURE



SH - SHALLOW HOUSING (FOR NEW CONSTRUCTION ONLY)



4A

WIRING LEGEND

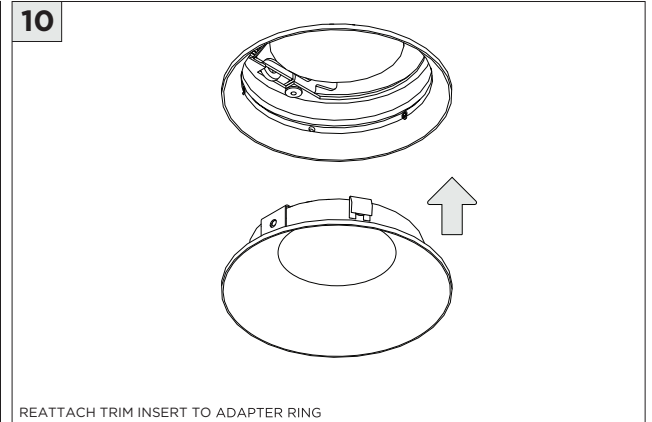
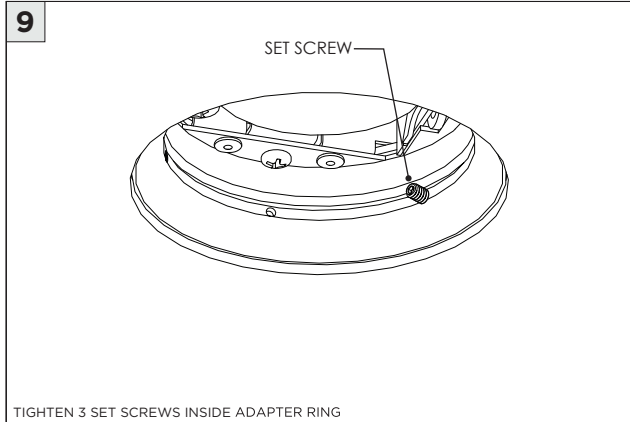
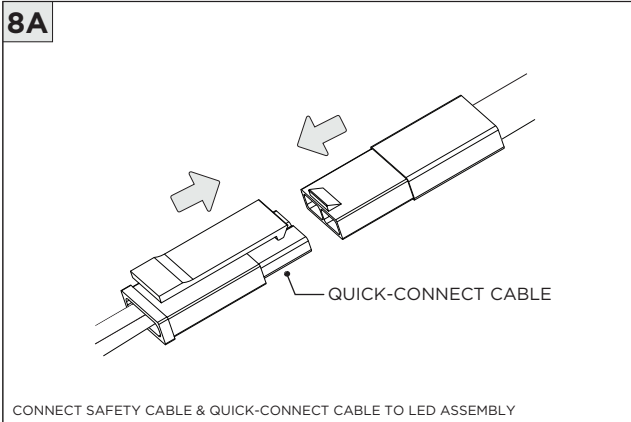
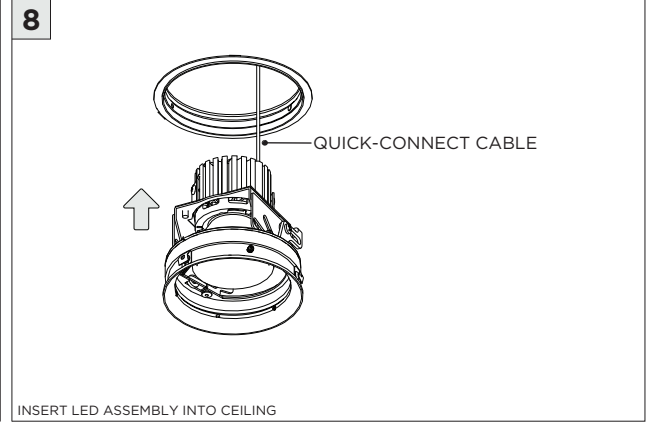
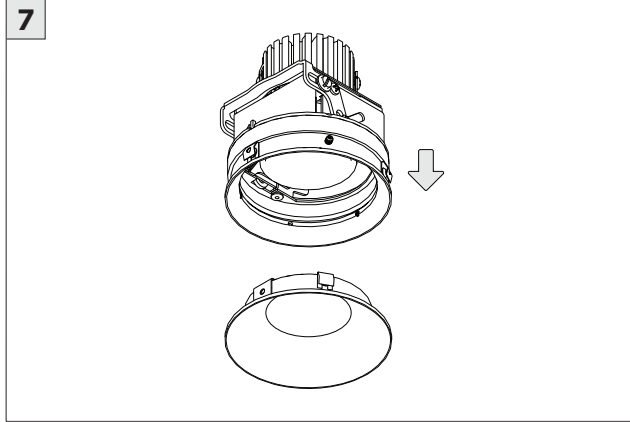
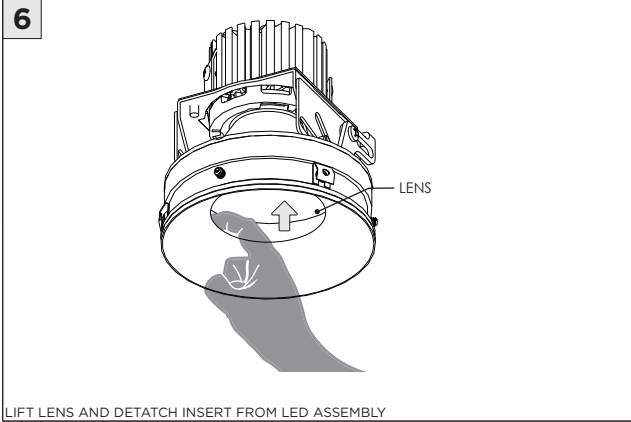
BLACK	HOT/LINE
WHITE	NEUTRAL
GREEN	GROUND
ORANGE	(DIM-)
PURPLE	(DIM+)

⚡ MAKE WIRING CONNECTIONS

5

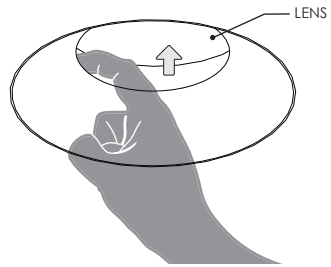
FIXTURE TYPE	CEILING HOLE SIZE
DL33RA	∅ 3.525"
DL45RA	∅ 4.780"

INSTALL CEILING BELOW FIXTURE



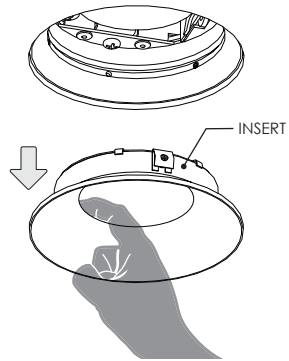
ADJUSTING LED ANGLE

1

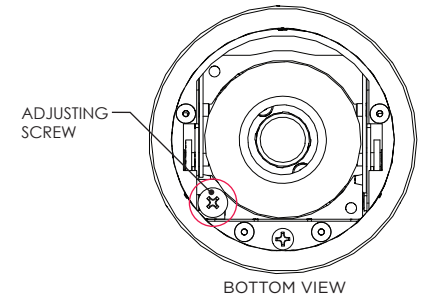


LIFT LENS AND DETACH INSERT FROM ADAPTER RING

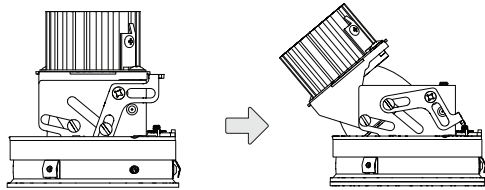
1A



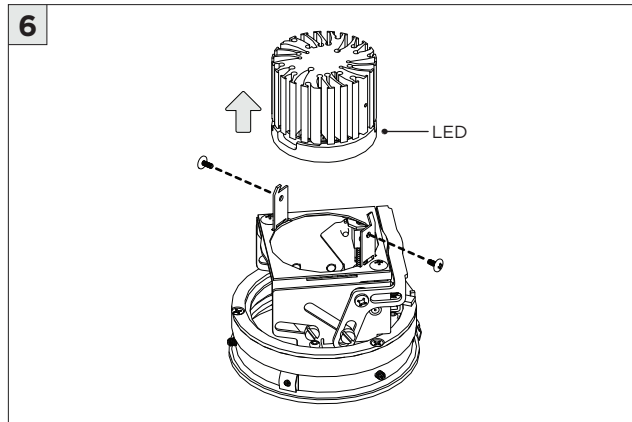
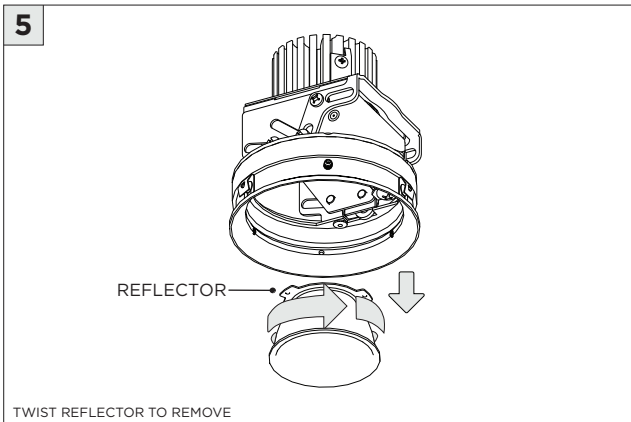
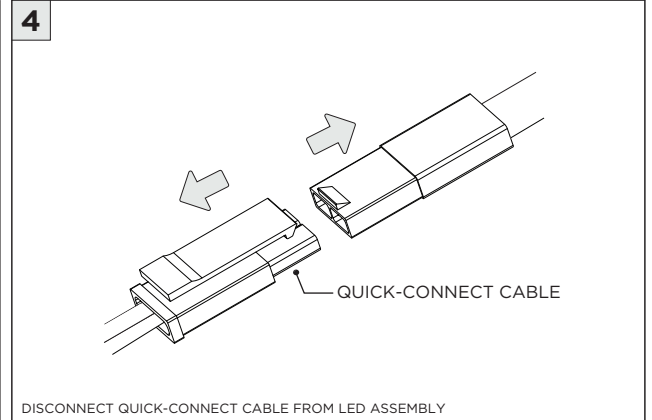
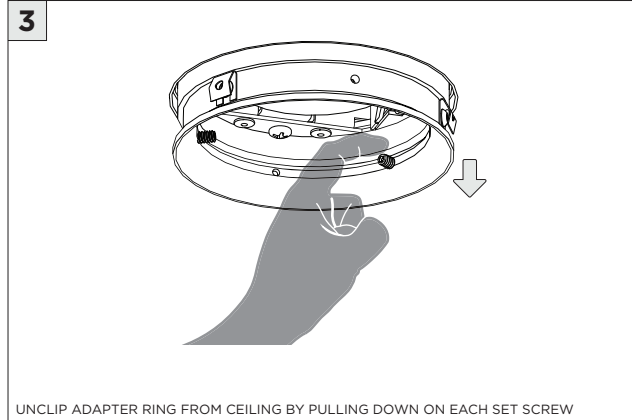
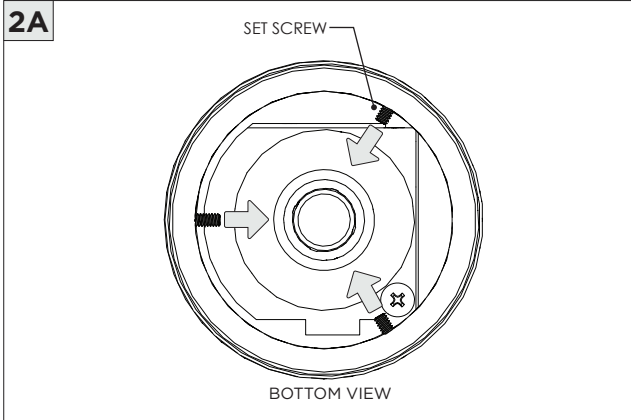
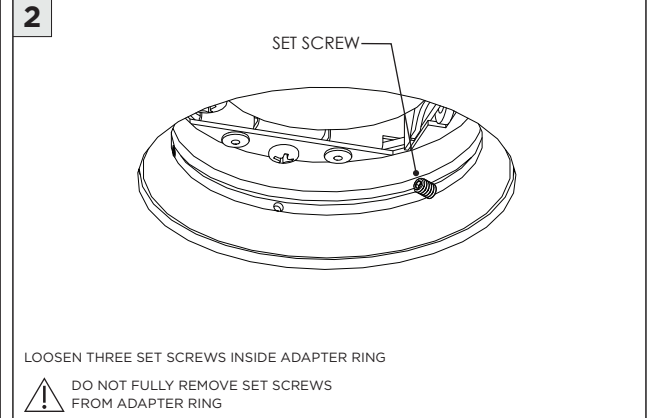
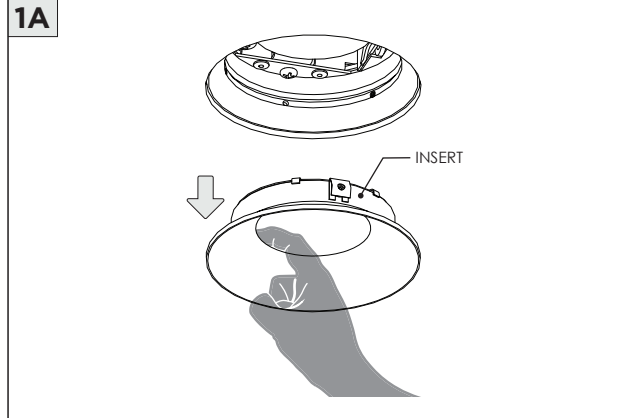
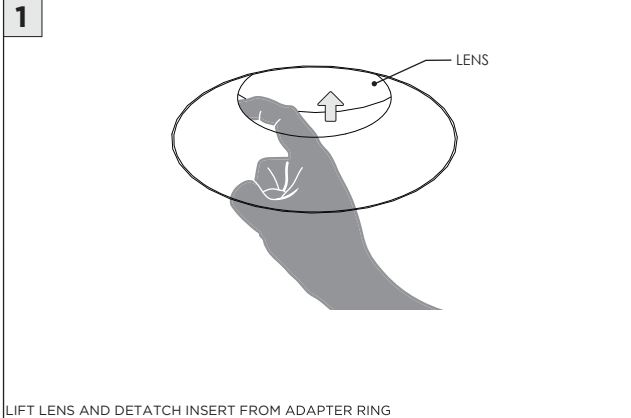
2



2A

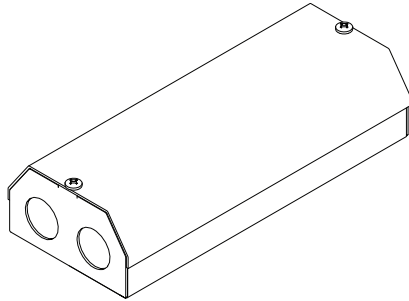


LED SERVICING



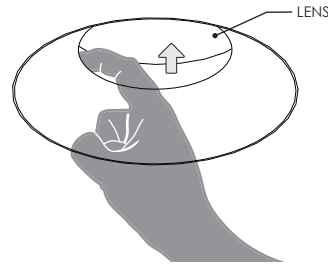
DRIVER SERVICING

1 RMD - REMODEL



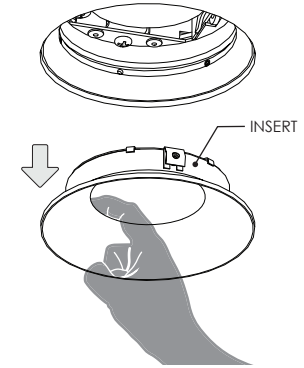
DISCONNECT POWER BEFORE SERVICING

2

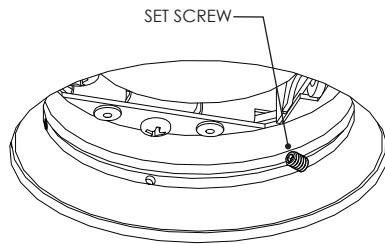


LIFT LENS AND DETACH INSERT FROM ADAPTER RING

2A



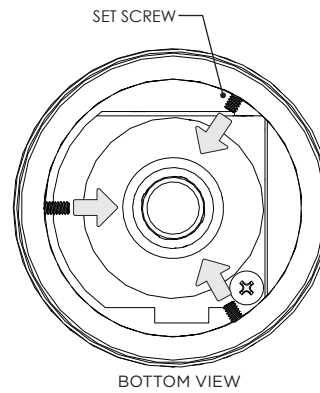
3



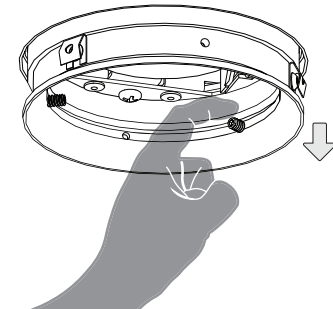
LOOSEN THREE SET SCREWS INSIDE ADAPTER RING

DO NOT FULLY REMOVE SET SCREWS FROM HOUSING

3A

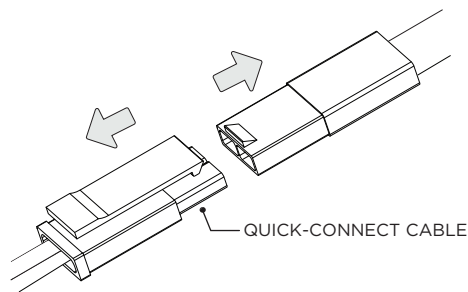


4



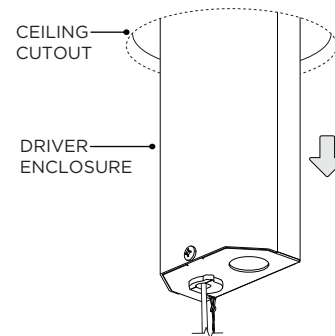
UNCLIP ADAPTER RING FROM CEILING BY PULLING DOWN ON EACH SET SCREW

4A

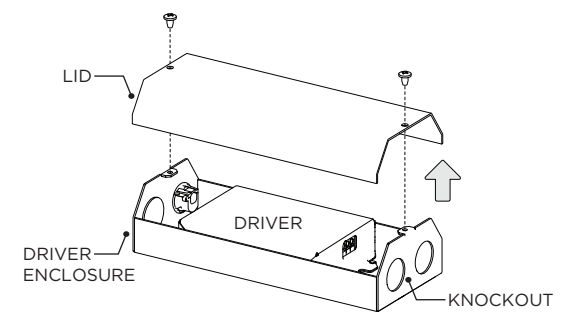


DISCONNECT SAFETY CABLE & QUICK-CONNECT CABLE FROM LED ASSEMBLY

5

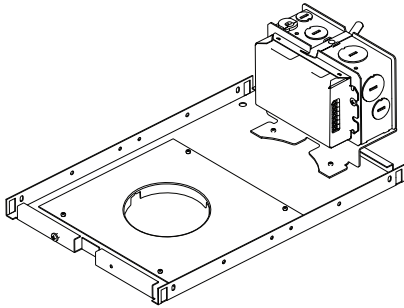


6



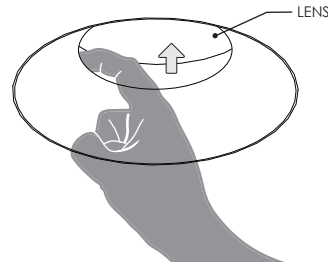
DRIVER SERVICING

1 NCF - NEW CONSTRUCTION FRAME



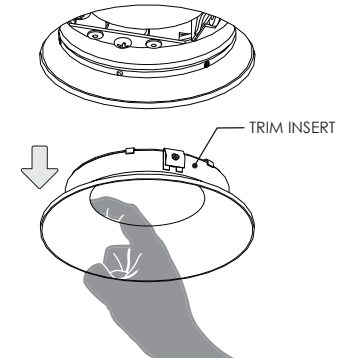
DISCONNECT POWER BEFORE SERVICING

2

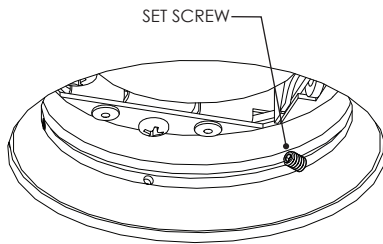


LIFT LENS AND DETATCH INSERT FROM ADAPTER RING

2A



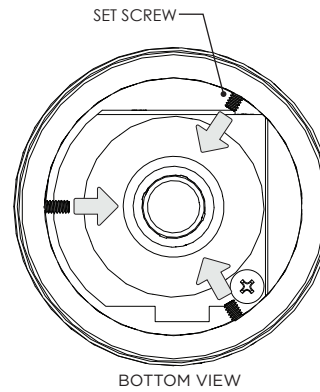
3



LOOSEN THREE SET SCREWS INSIDE ADAPTER RING

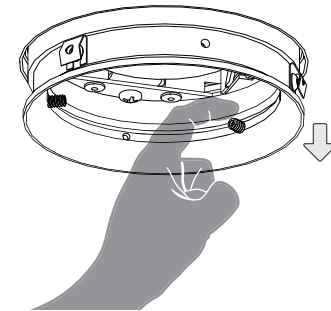
DO NOT FULLY REMOVE SET SCREWS FROM HOUSING

4



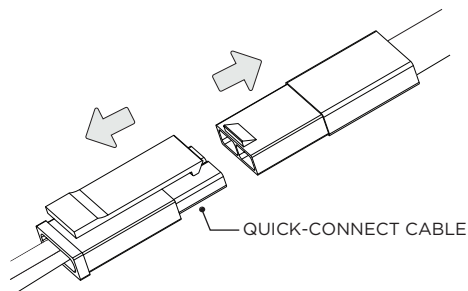
BOTTOM VIEW

5



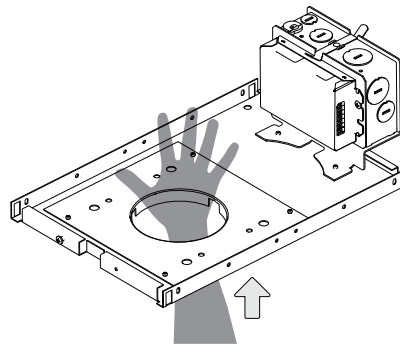
UNCLIP ADAPTER RING FROM CEILING BY PULLING DOWN ON EACH SET SCREW

5A

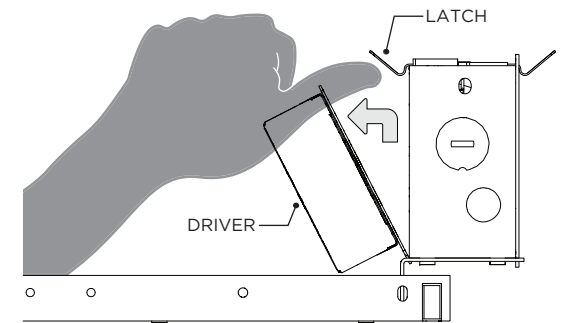


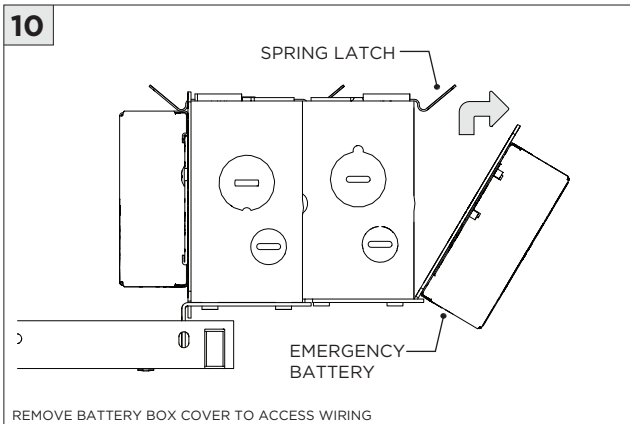
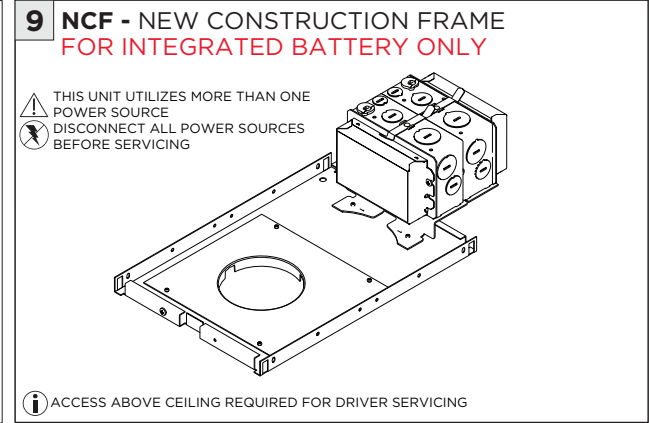
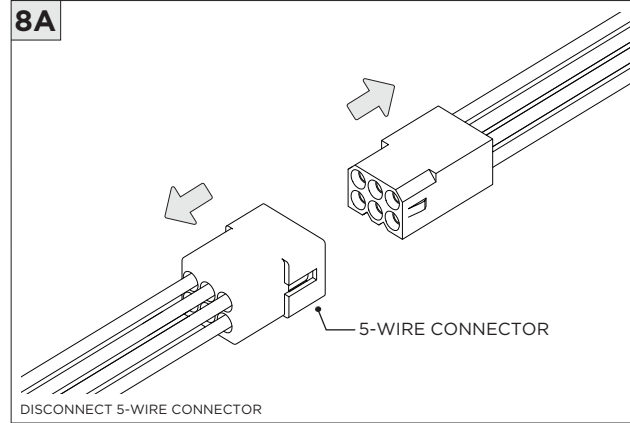
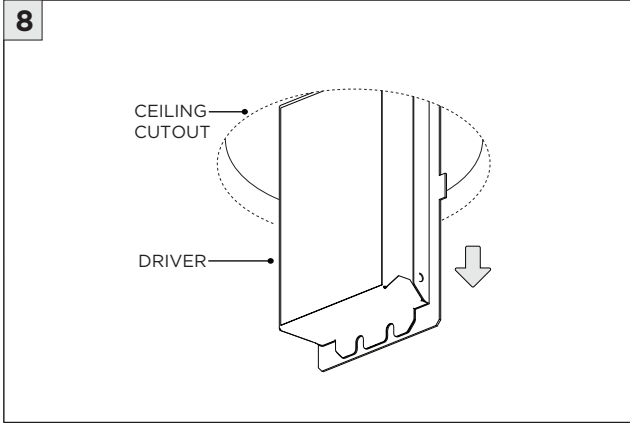
DISCONNECT QUICK-CONNECT CABLE FROM LED ASSEMBLY

6



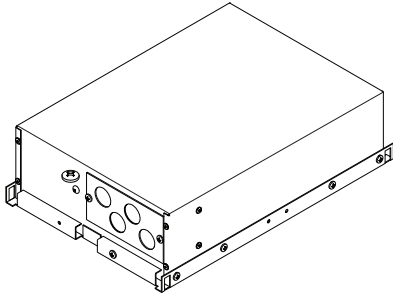
7





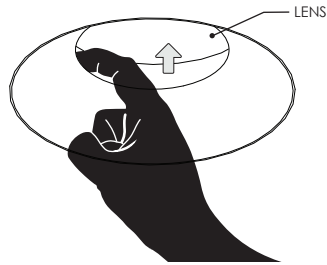
DRIVER SERVICING

1 SH - SHALLOW HOUSING



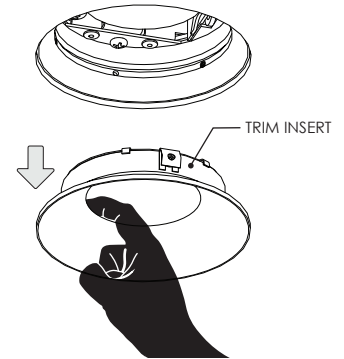
⚡ DISCONNECT POWER BEFORE SERVICING

2

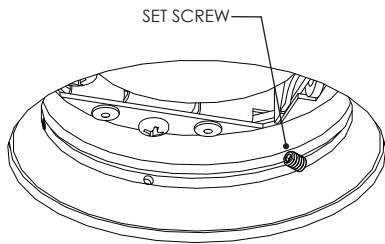


LIFT LENS AND DETACH INSERT FROM ADAPTER RING

2A



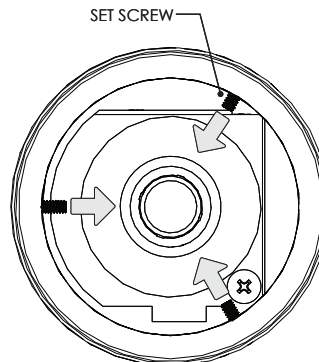
3



LOOSEN THREE SET SCREWS INSIDE ADAPTER RING

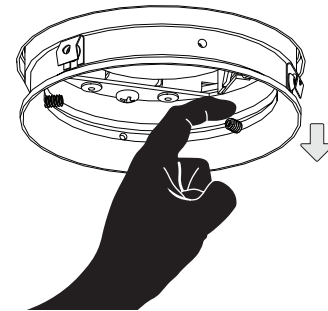
⚠ DO NOT FULLY REMOVE SET SCREWS FROM HOUSING

4



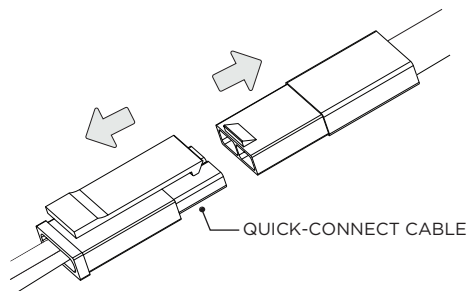
BOTTOM VIEW

5



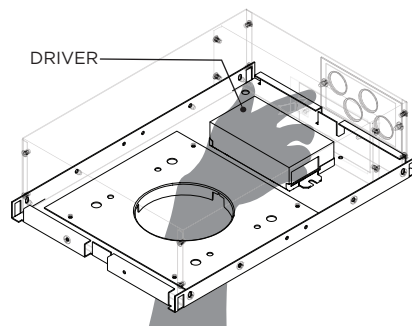
UNCLIP ADAPTER RING FROM CEILING BY PULLING DOWN ON EACH SET SCREW

5A



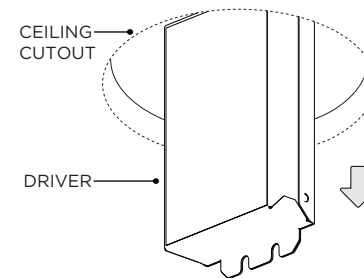
DISCONNECT QUICK-CONNECT CABLE FROM LED ASSEMBLY

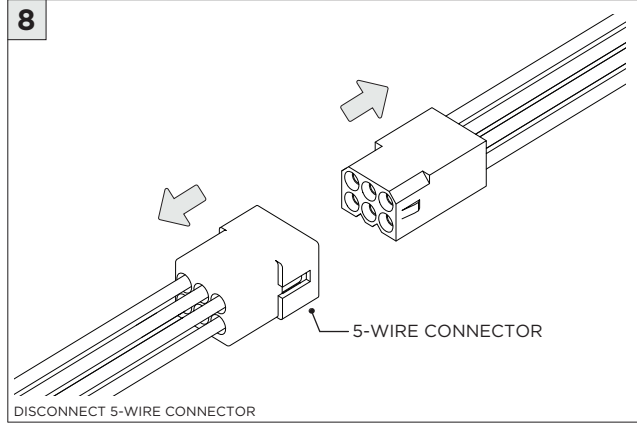
6



REMOVE DRIVER - SECURED WITH HOOK-AND-LOOP FASTENER

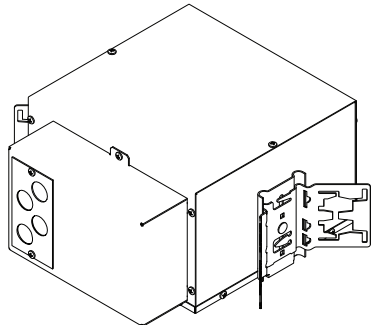
7





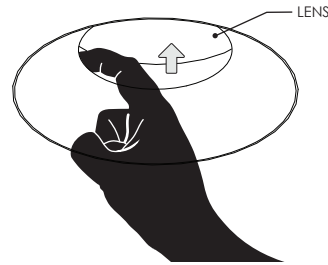
DRIVER SERVICING

1 NC/iC - NEW CONSTRUCTION HOUSING



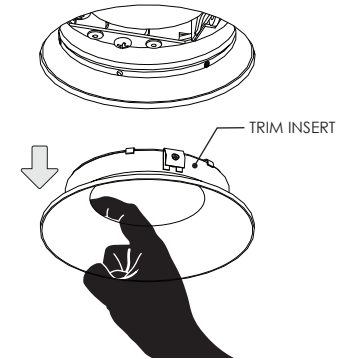
DISCONNECT POWER BEFORE SERVICING

2

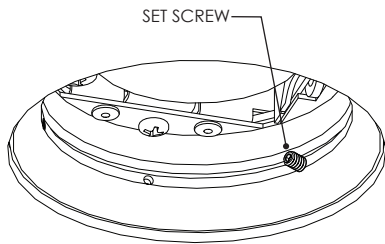


LIFT LENS AND DETACH INSERT FROM ADAPTER RING

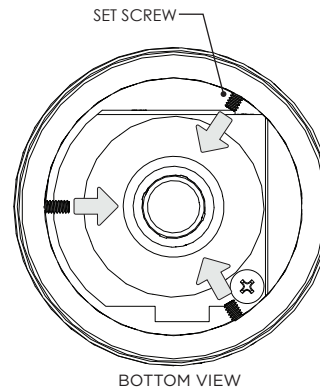
2A



3

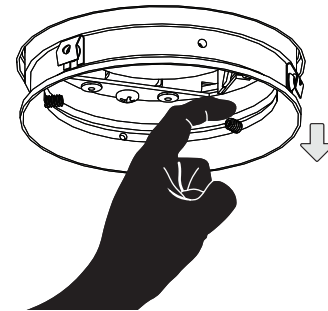


4



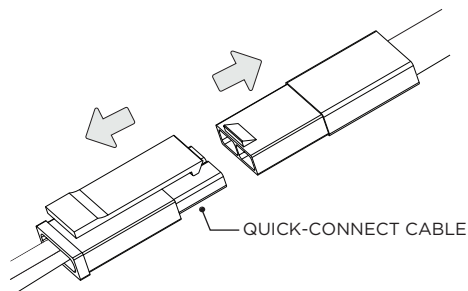
BOTTOM VIEW

5



UNCLIP ADAPTER RING FROM CEILING BY PULLING DOWN ON EACH SET SCREW

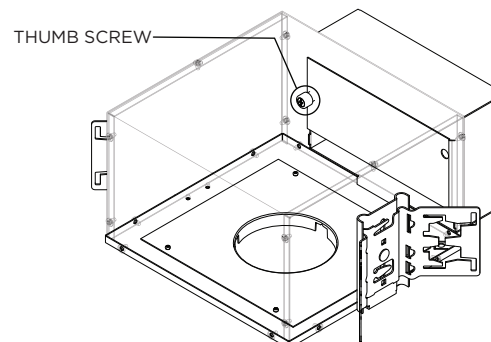
5A



QUICK-CONNECT CABLE

DISCONNECT QUICK-CONNECT CABLE FROM LED ASSEMBLY

6



7

