
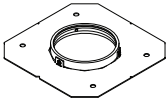
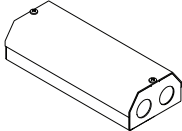
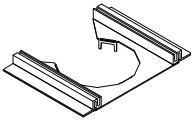

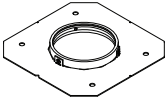
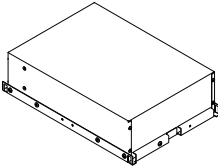
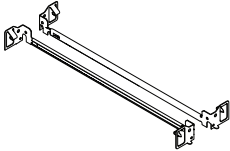

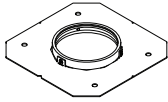
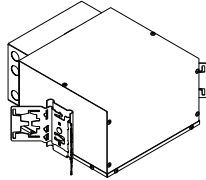
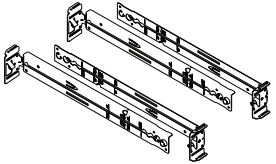






## 3.3"/4.0" ROUND ADJUSTABLE DOWNLIGHT TRIMLESS




**i** THE IMAGES SHOWN ARE FOR ILLUSTRATION PURPOSES ONLY AND MAY NOT BE AN EXACT REPRESENTATION OF THE PRODUCT

INCLUDED COMPONENTS			
<b>RMD - REMODEL</b>		<b>NCF - NEW CONSTRUCTION FRAME (FOR NEW CONSTRUCTION ONLY)</b>	
			
LED INSERT	MUDDING FLANGE	DRIVER ENCLOSURE	BLOCKING SUPPORT PLATE
<b>SH - SHALLOW HOUSING (FOR NEW CONSTRUCTION ONLY)</b>		<b>NC/IC - NEW CONSTRUCTION HOUSING (FOR NEW CONSTRUCTION ONLY)</b>	
			
LED INSERT	MUDDING FLANGE	SHALLOW HOUSING	BAR HANGERS
			
LED INSERT	MUDDING FLANGE	NEW CONSTRUCTION HOUSING	BAR HANGERS (OPTIONAL)

INSTRUCTION KEY	INFORMATION
 ADDITIONAL	INSTALLATION SHOULD ONLY BE PERFORMED BY A CERTIFIED ELECTRICIAN
 ATTENTION	REFER TO LOCAL/NATIONAL CODES FOR PROPER INSTALLATION
 POWER ON	FAILURE TO FOLLOW INSTALLATION INSTRUCTION MAY VOID THE WARRANTY
 POWER OFF	DO NOT TOUCH LEADS. LEADS MUST BE PROTECTED FROM MECHANICAL STRESS OR DEBRIS
	TURN OFF POWER DURING INSTALLATION OR SERVICING

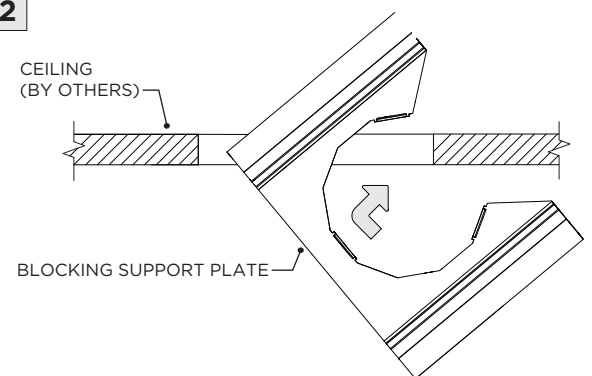
**RMD - REMODEL**

**1**



FIXTURE TYPE	CEILING HOLE SIZE
DL33RA	Ø 3.8125"
DL45RA	Ø 5.1250"

**2**

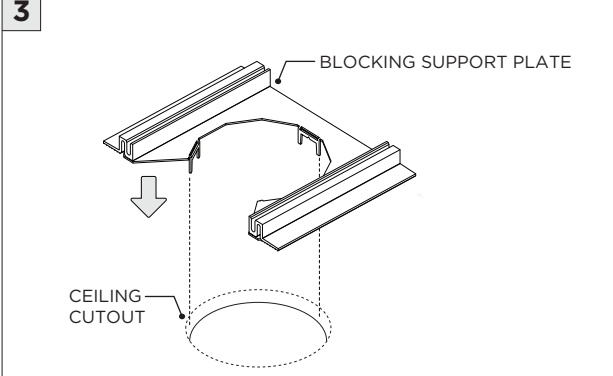


CEILING (BY OTHERS)

BLOCKING SUPPORT PLATE

ROTATE BLOCKING SUPPORT PLATE THROUGH CEILING CUTOUT

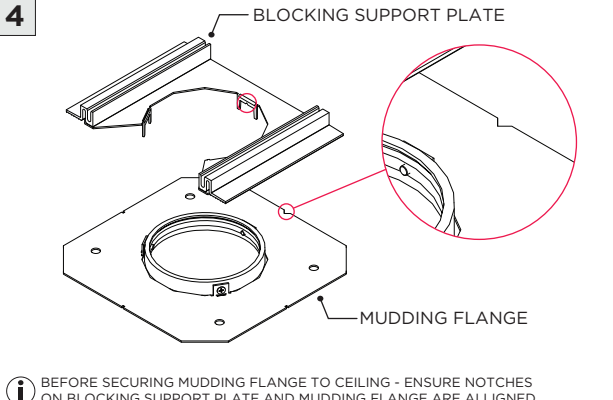
**3**



BLOCKING SUPPORT PLATE

CEILING CUTOUT

**4**

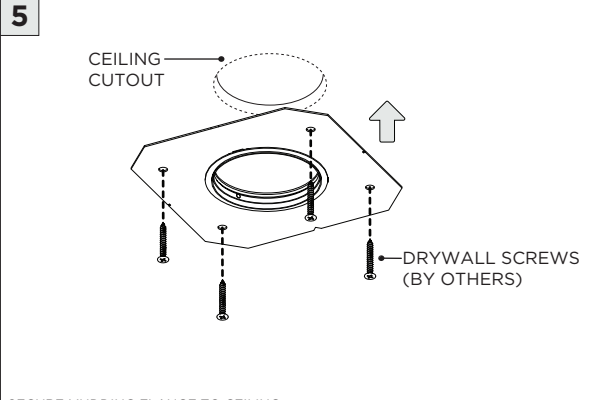


BLOCKING SUPPORT PLATE

MUDDING FLANGE

**i** BEFORE SECURING MUDDING FLANGE TO CEILING - ENSURE NOTCHES ON BLOCKING SUPPORT PLATE AND MUDDING FLANGE ARE ALLIGNED

**5**

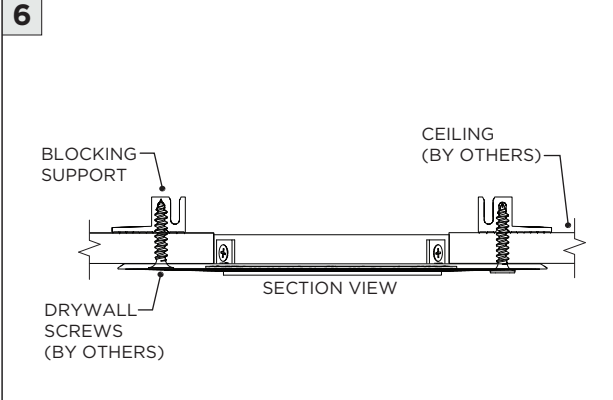


CEILING CUTOUT

DRYWALL SCREWS (BY OTHERS)

SECURE MUDDING FLANGE TO CEILING

**6**



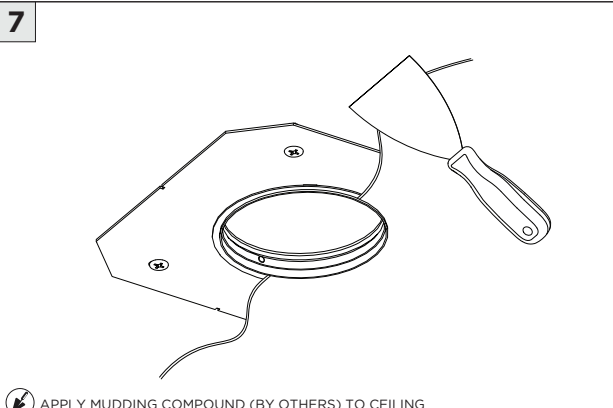
BLOCKING SUPPORT

CEILING (BY OTHERS)

DRYWALL SCREWS (BY OTHERS)

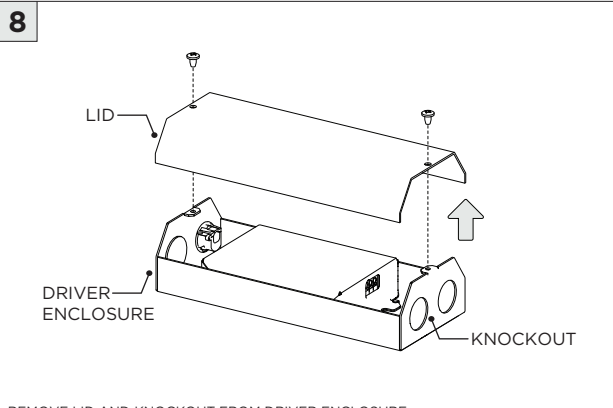
SECTION VIEW

**7**



APPLY MUDDING COMPOUND (BY OTHERS) TO CEILING

**8**



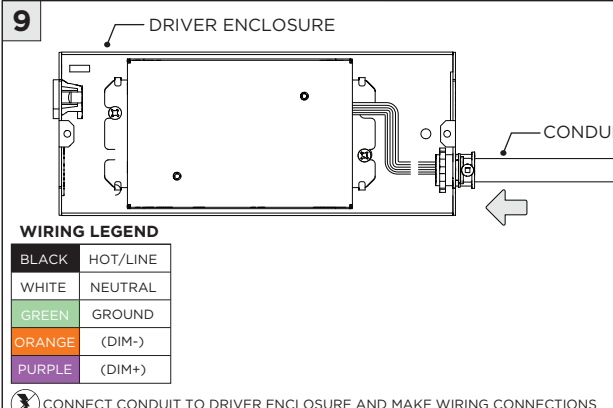
LID

DRIVER ENCLOSURE

KNOCKOUT

REMOVE LID AND KNOCKOUT FROM DRIVER ENCLOSURE

**9**



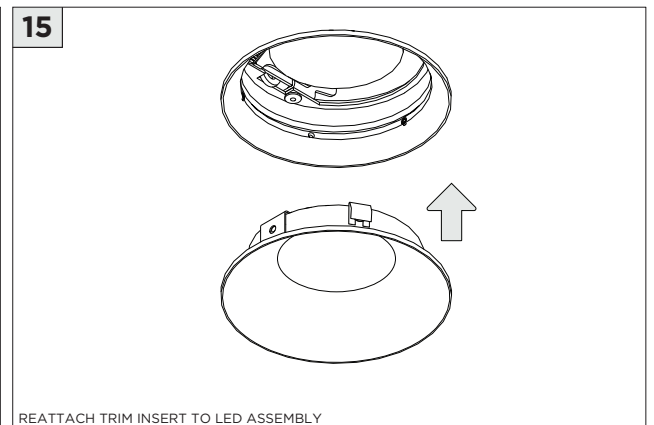
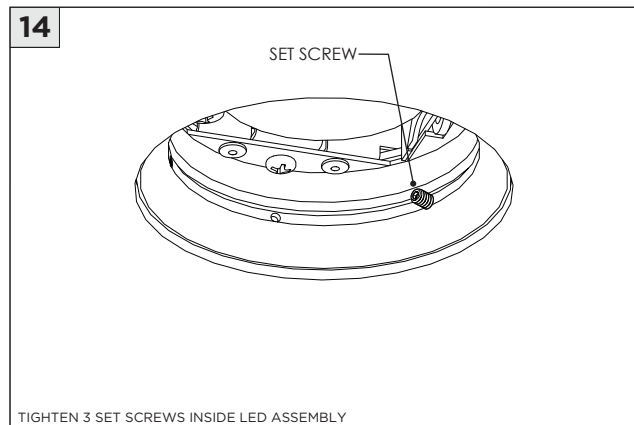
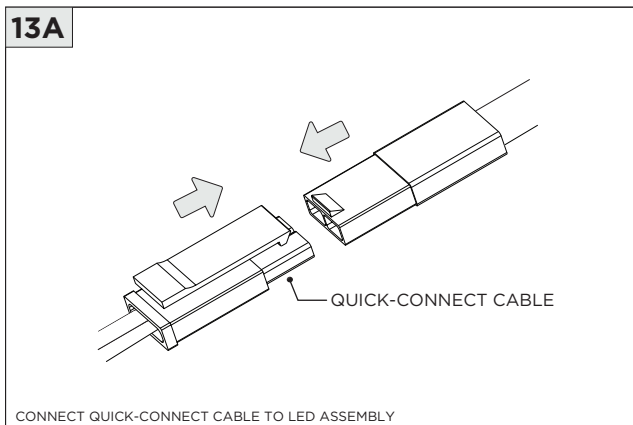
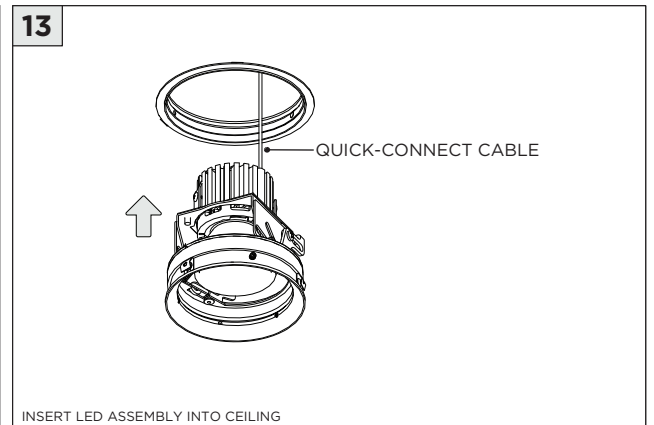
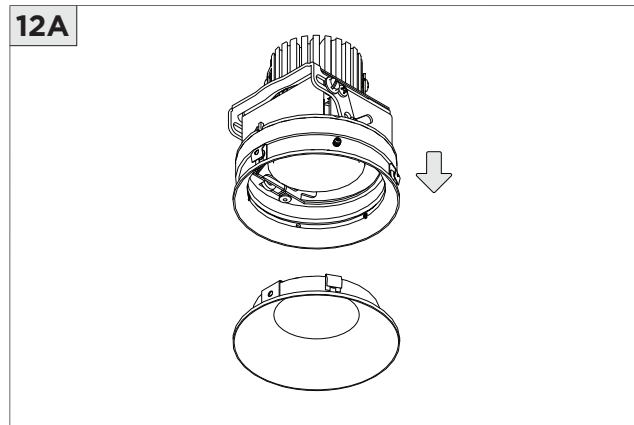
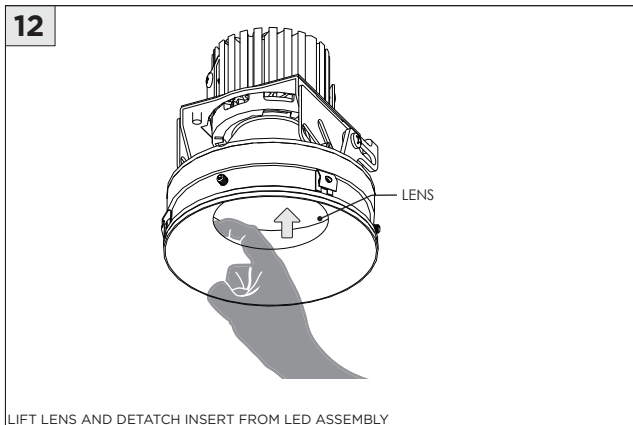
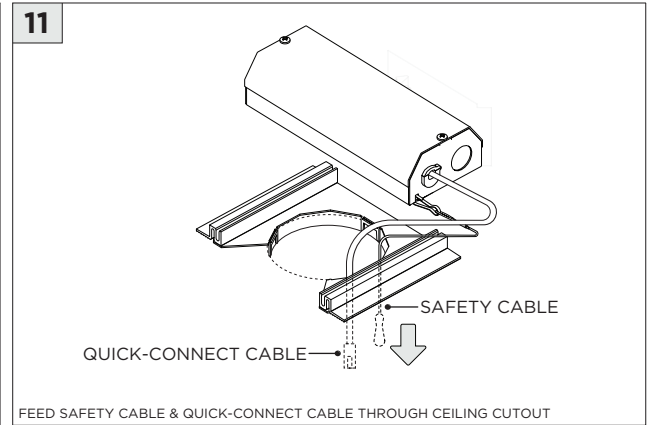
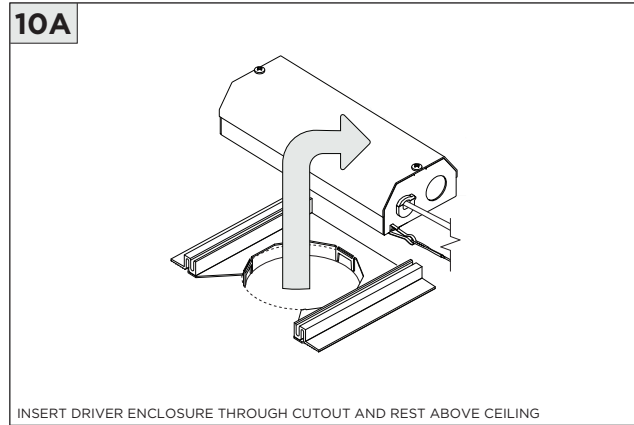
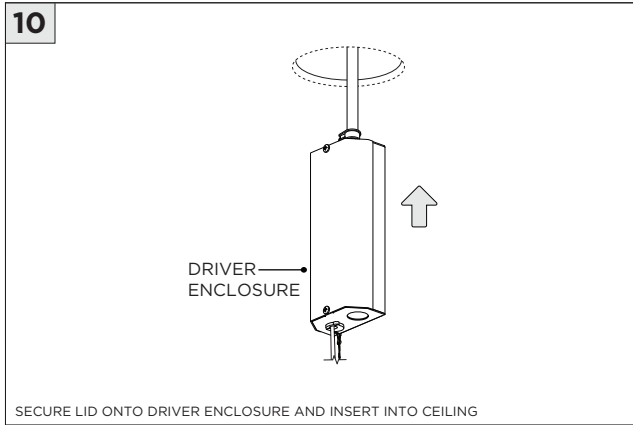
DRIVER ENCLOSURE

CONDUIT

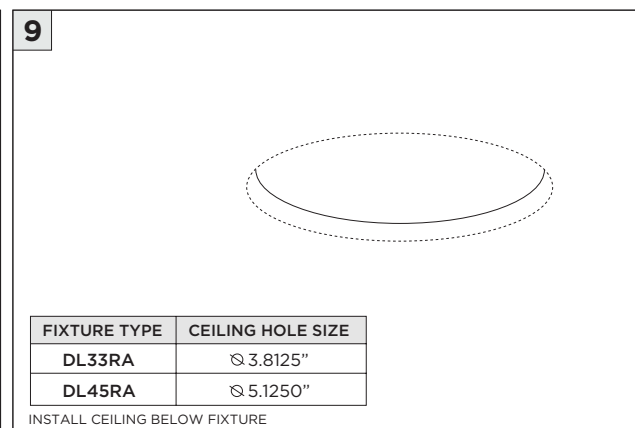
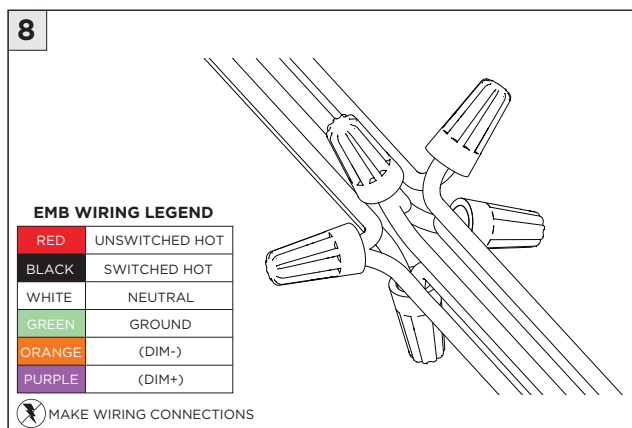
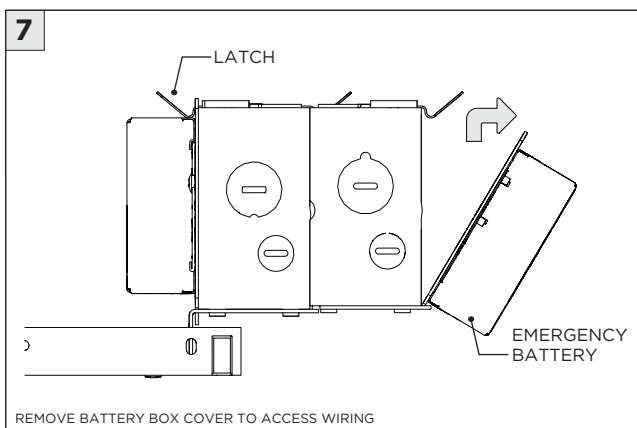
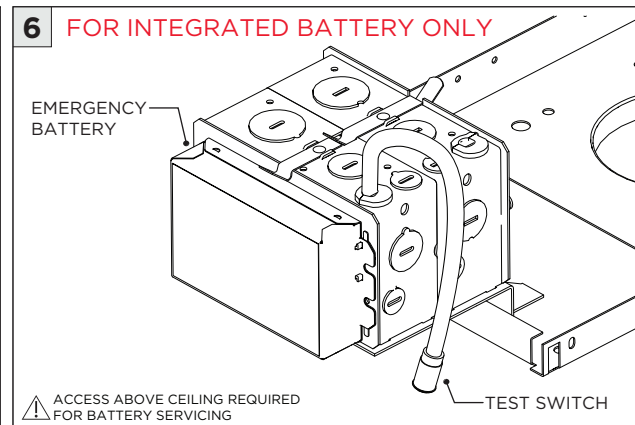
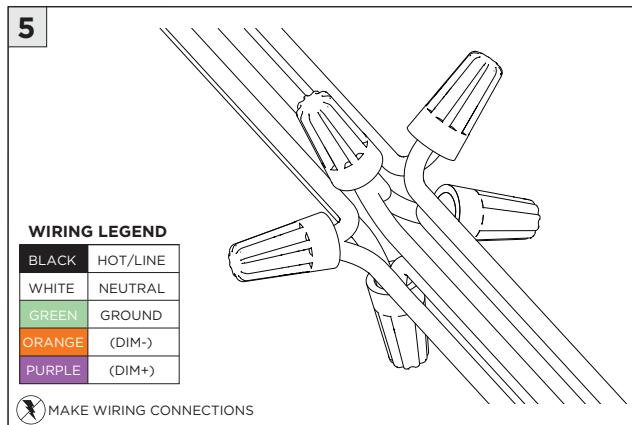
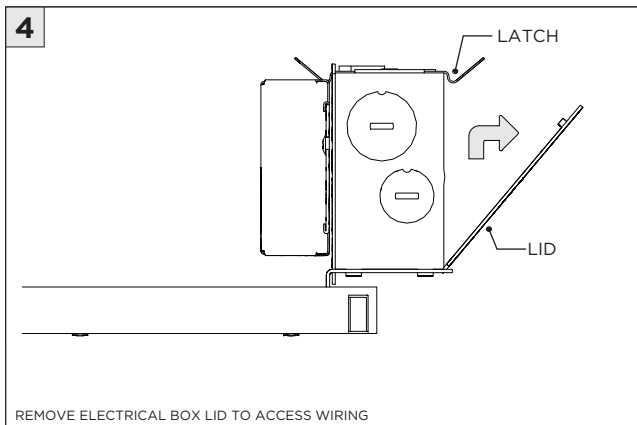
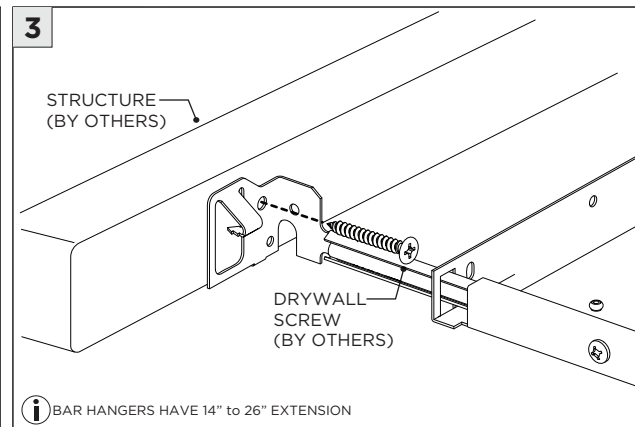
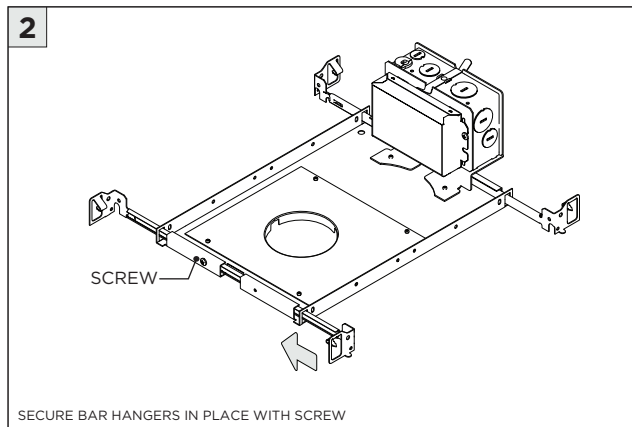
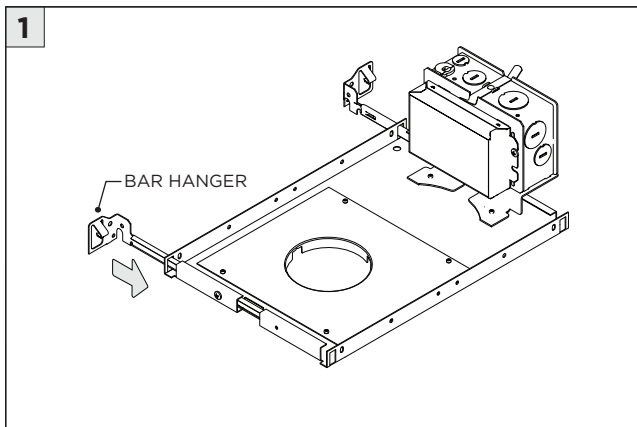
**WIRING LEGEND**

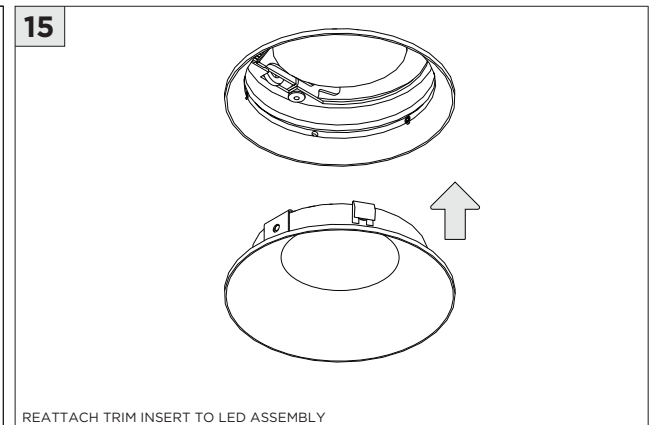
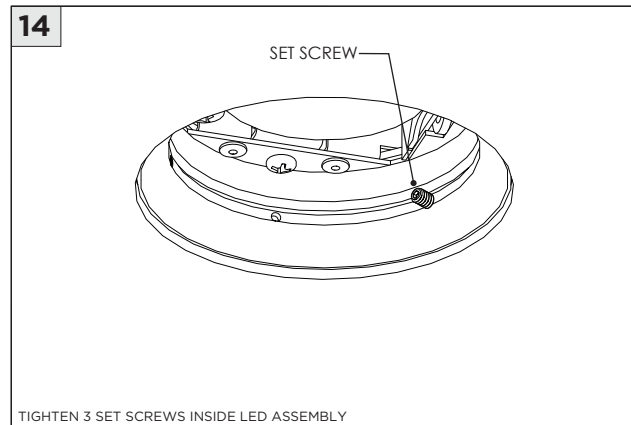
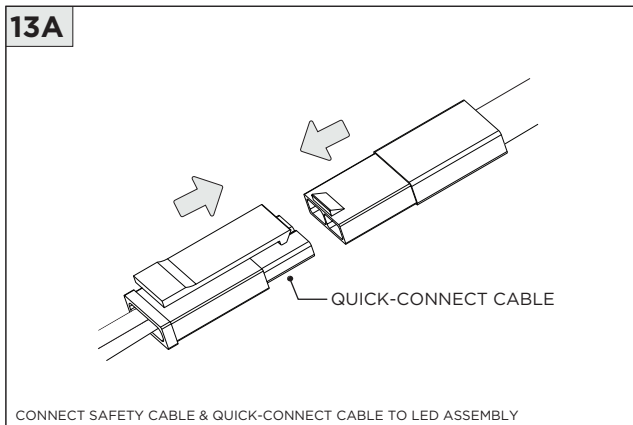
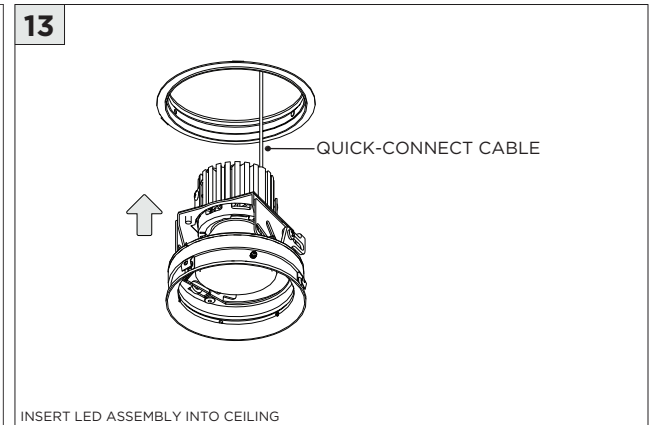
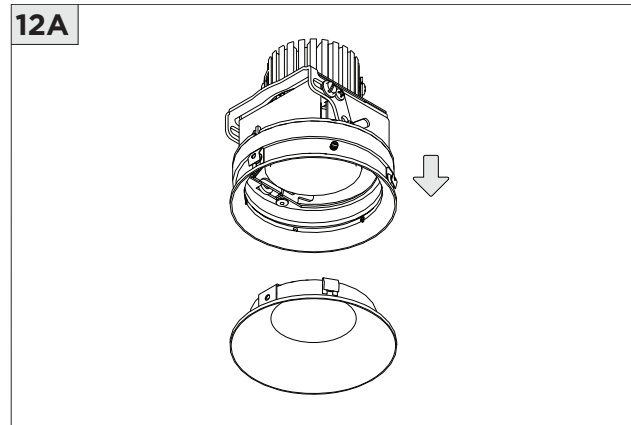
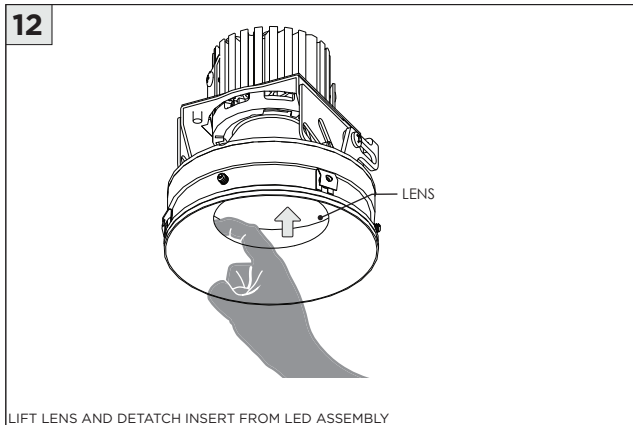
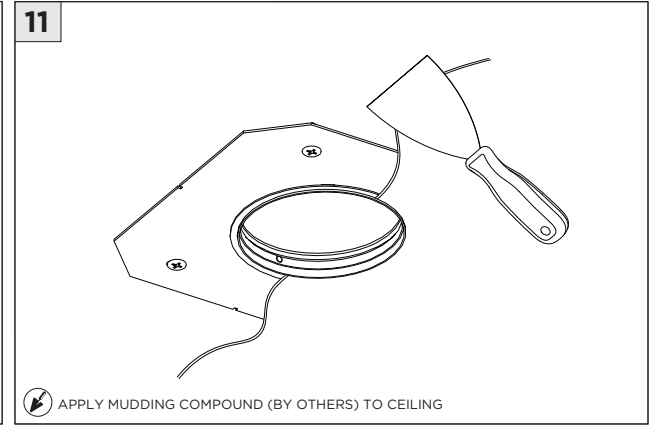
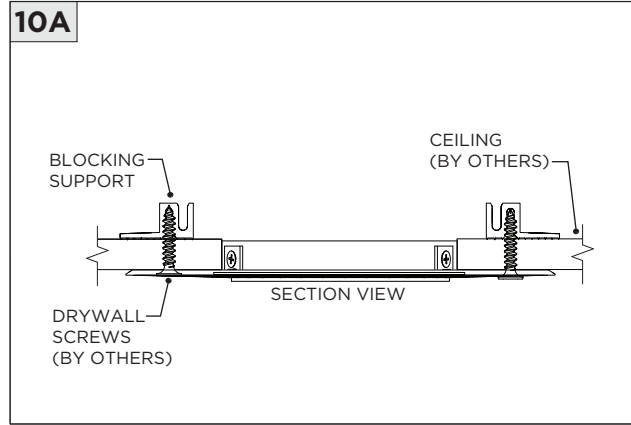
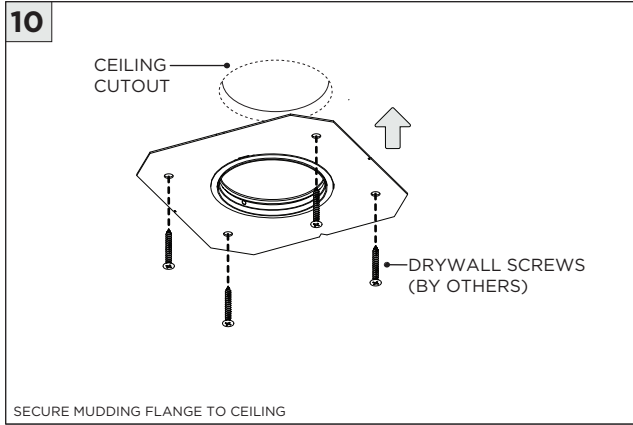
BLACK	HOT/LINE
WHITE	NEUTRAL
GREEN	GROUND
ORANGE	(DIM-)
PURPLE	(DIM+)

**⚡** CONNECT CONDUIT TO DRIVER ENCLOSURE AND MAKE WIRING CONNECTIONS

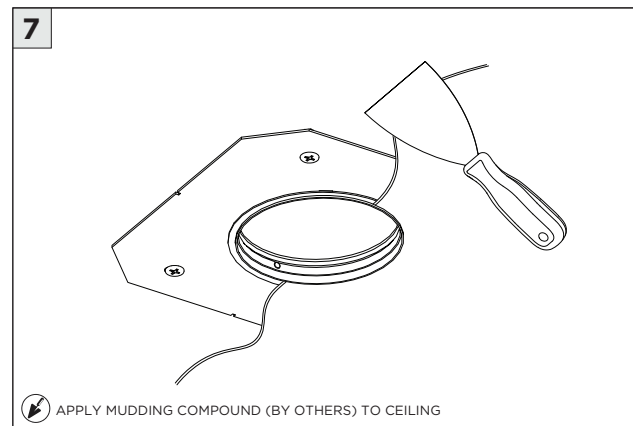
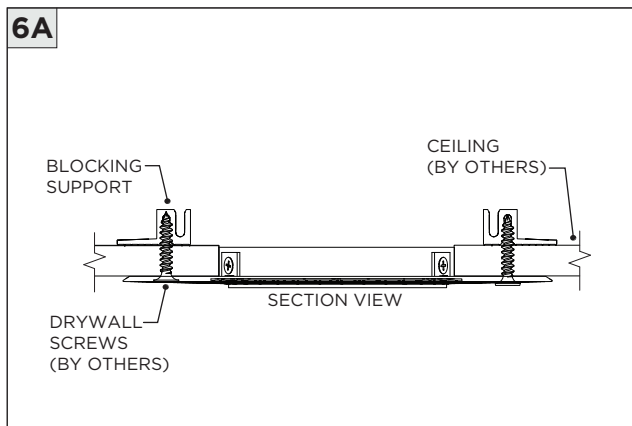
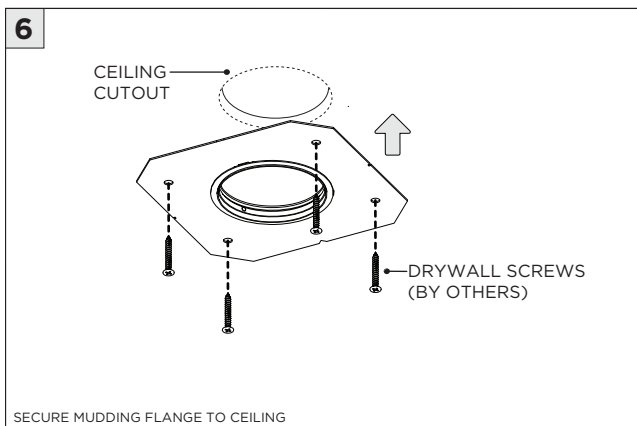
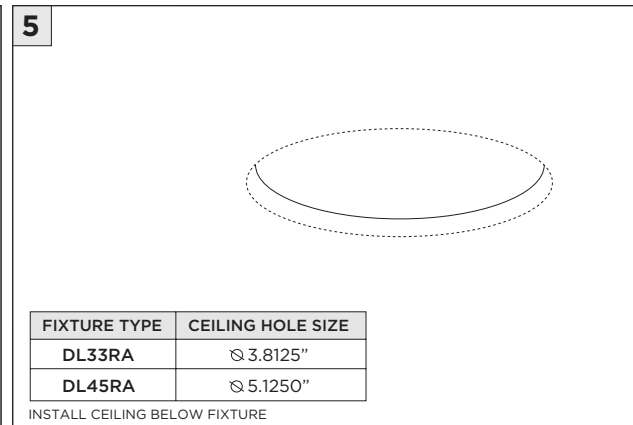
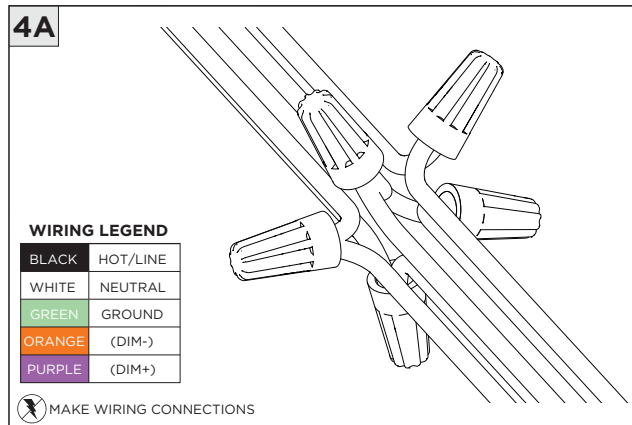
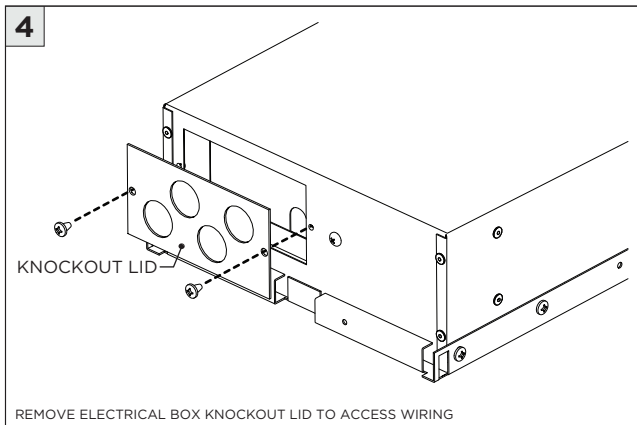
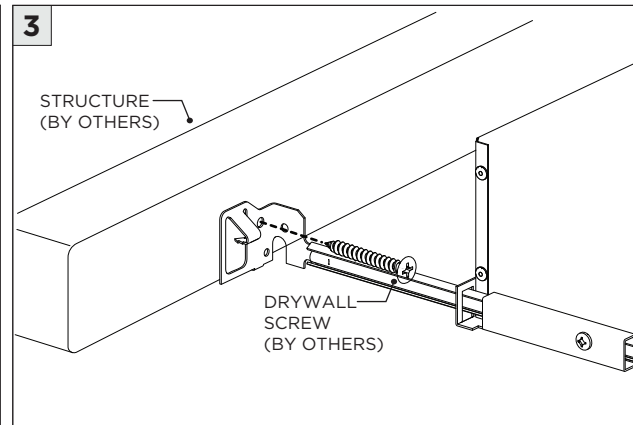
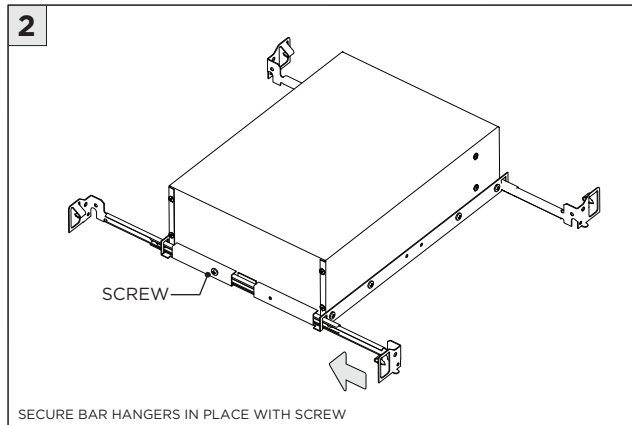
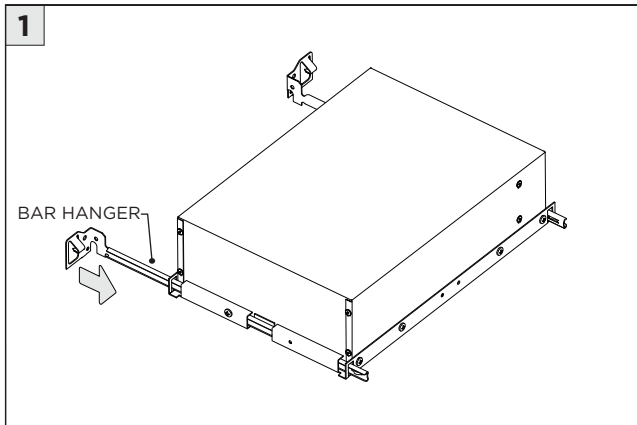


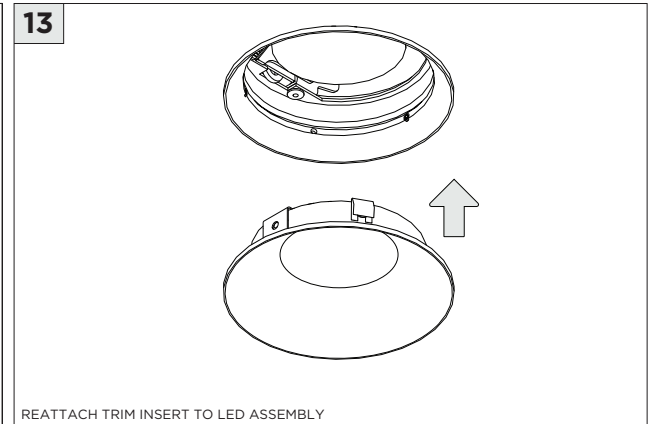
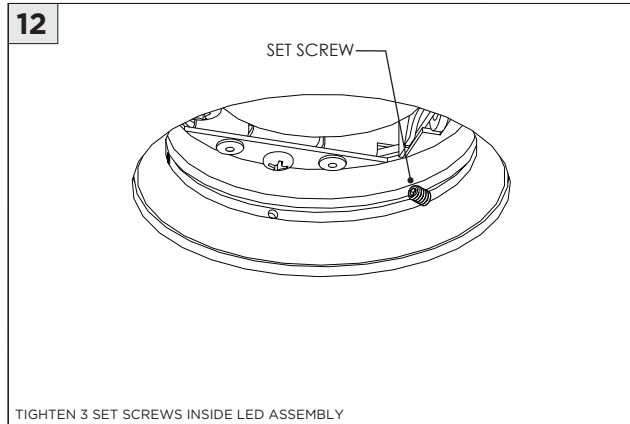
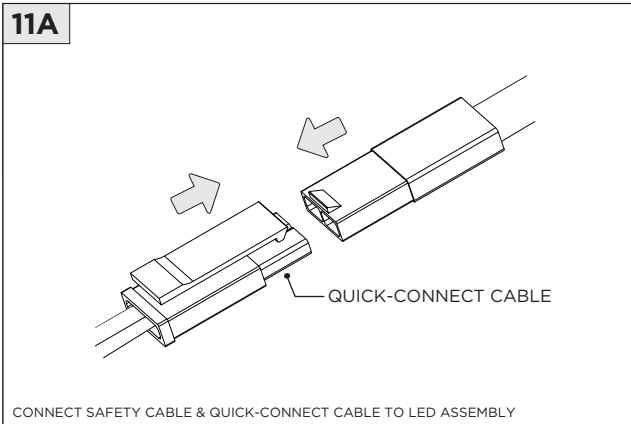
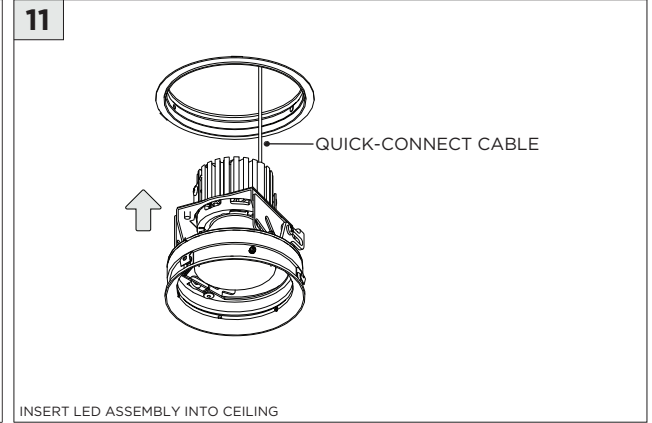
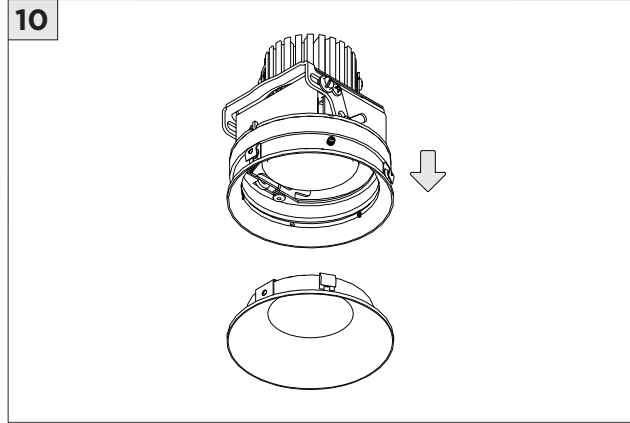
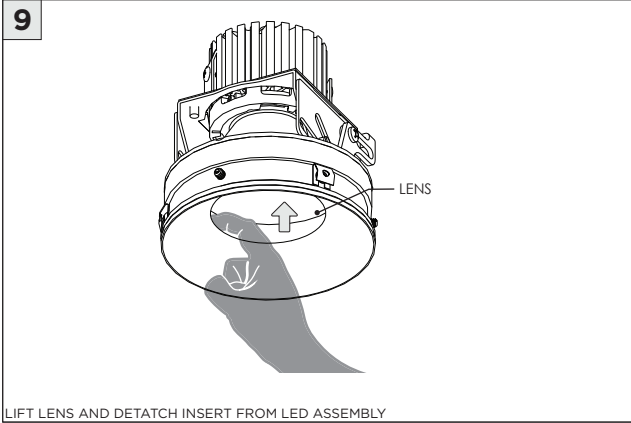
**NCF - NEW CONSTRUCTION FRAME (FOR NEW CONSTRUCTION ONLY)**





**SH - SHALLOW HOUSING (FOR NEW CONSTRUCTION ONLY)**





**NC/IC - NEW CONSTRUCTION HOUSING (FOR NEW CONSTRUCTION ONLY)**

**1 BAR HANGER INSTALLATION**  
(IF SUPPLIED BY 3G)

BAR HANGER (OPTIONAL)

**1A**

STRUCTURE (BY OTHERS)

DRYWALL SCREW (BY OTHERS)

DRYWALL SCREW (BY OTHERS)

**2 OTHER BAR HANGER INSTALLATION**  
(NOT PROVIDED BY 3G)

FURRING STRIP CHANNEL

1/2" EMT (x2)

1/2" x 1-1/2" CHANNEL

POSITION 5/8" - 3/4" BAR HANGERS

2 POSITIONS FOR 1/2" BAR HANGERS

BUTTERFLY BRACKET SIDE VIEW

**3**

KNOCKOUT LID

REMOVE ELECTRICAL BOX KNOCKOUT LID TO ACCESS WIRING

**3A**

**WIRING LEGEND**

BLACK	HOT/LINE
WHITE	NEUTRAL
GREEN	GROUND
ORANGE	(DIM-)
PURPLE	(DIM+)

MAKE WIRING CONNECTIONS

**4**

FIXTURE TYPE	CEILING HOLE SIZE
DL33RA	∅ 3.8125"
DL45RA	∅ 5.1250"

INSTALL CEILING BELOW FIXTURE

**5**

CEILING CUTOUT

DRYWALL SCREWS (BY OTHERS)

SECURE MUDDING FLANGE TO CEILING

**5A**

BLOCKING SUPPORT

CEILING (BY OTHERS)

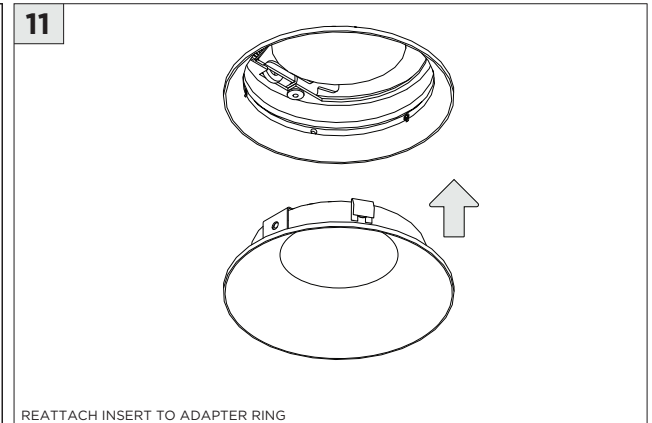
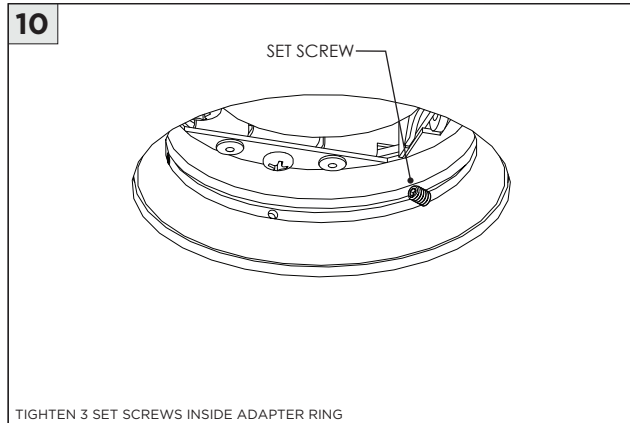
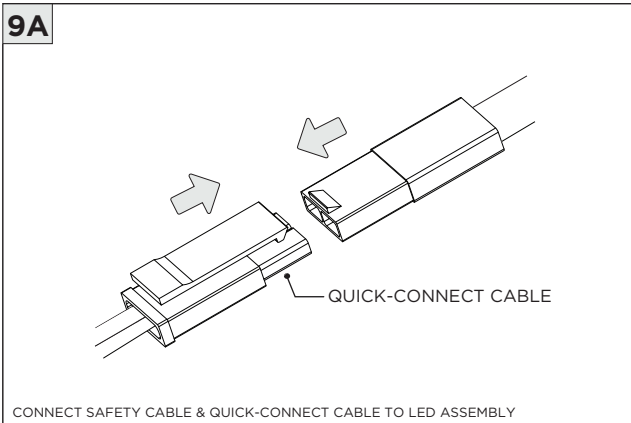
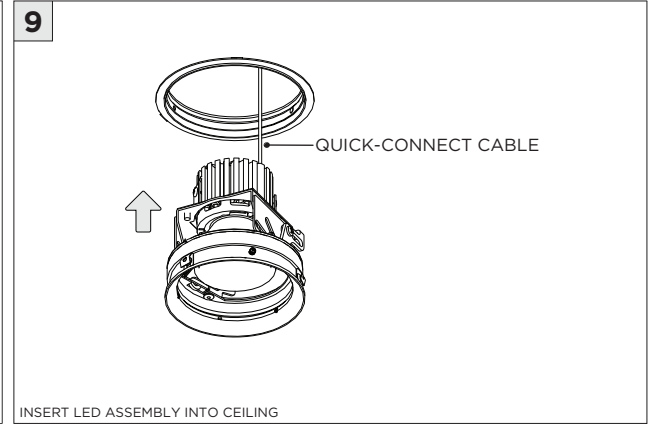
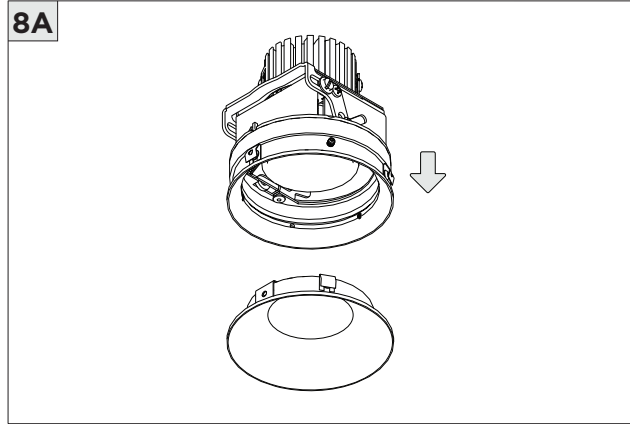
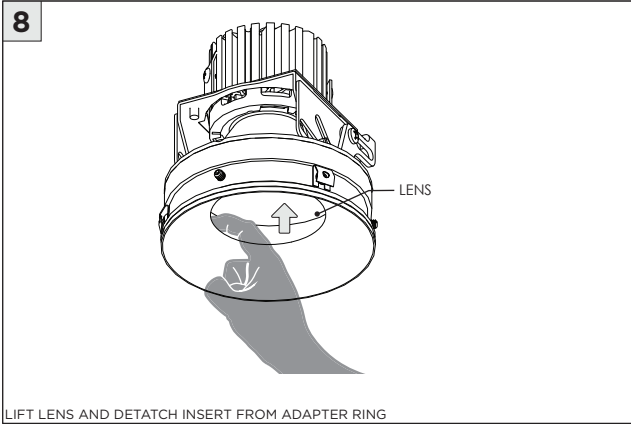
SECTION VIEW

DRYWALL SCREWS (BY OTHERS)

**6**

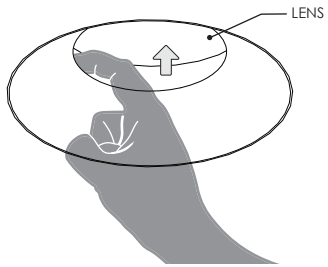
APPLY MUDDING COMPOUND (BY OTHERS) TO CEILING





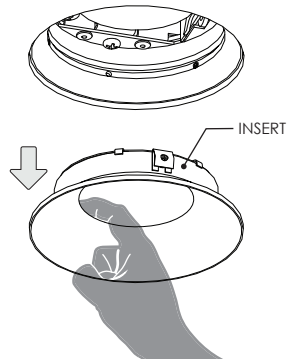
**ADJUSTING LED ANGLE**

**1**

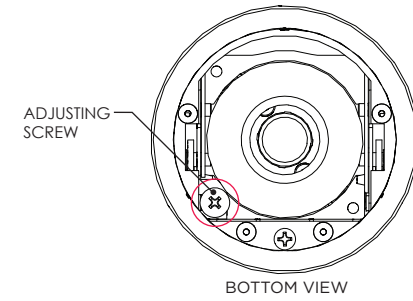


LIFT LENS AND DETACH INSERT FROM LED ASSEMBLY

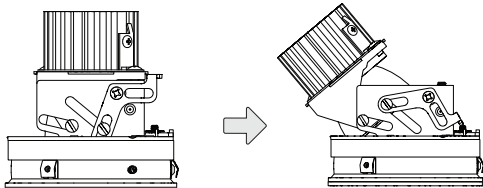
**1A**



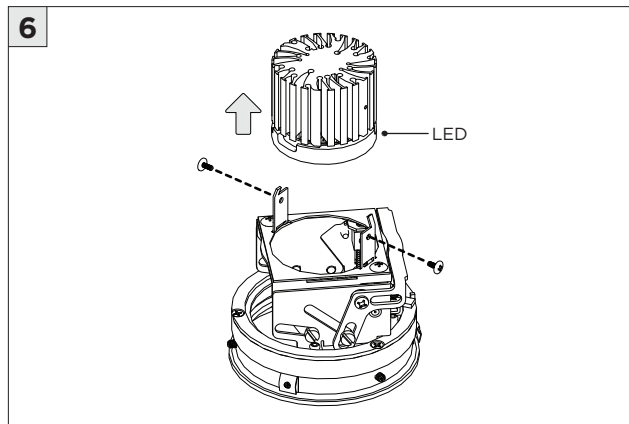
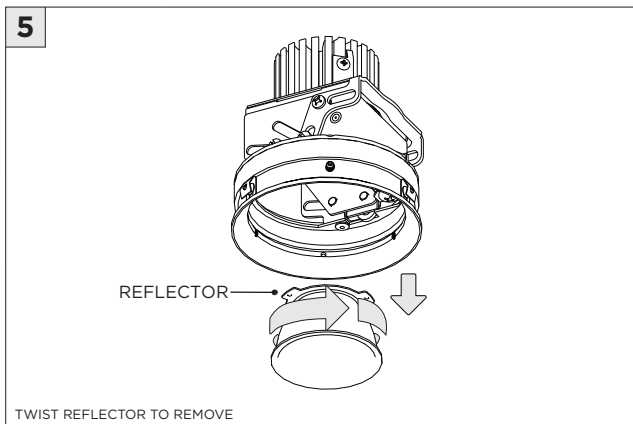
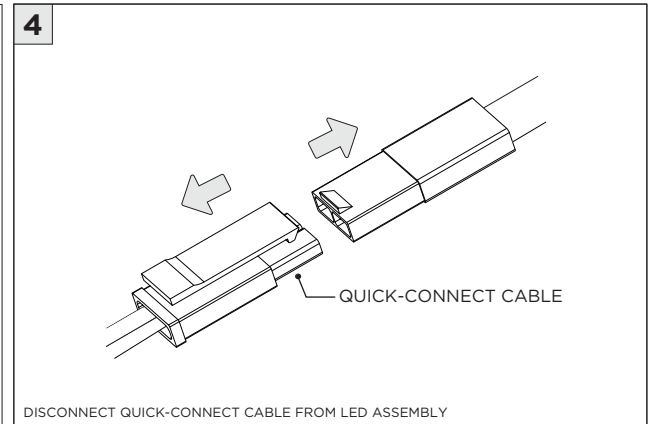
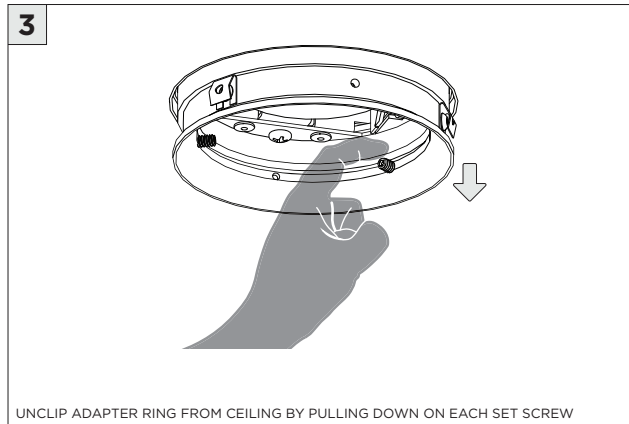
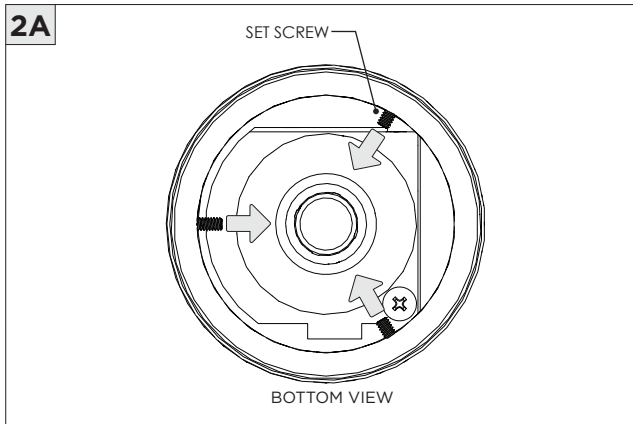
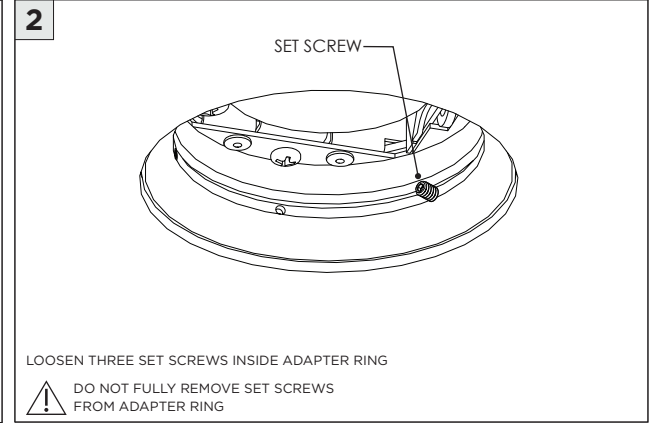
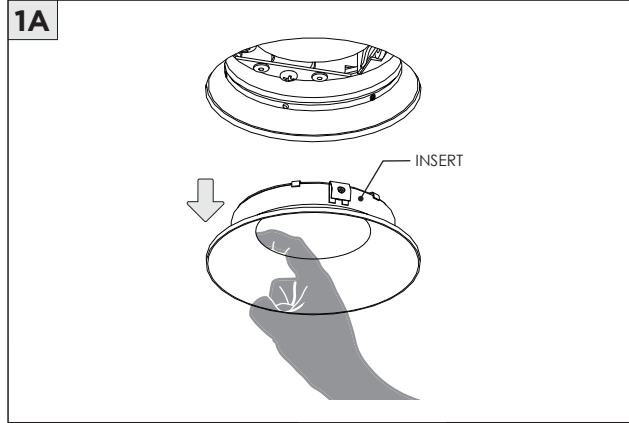
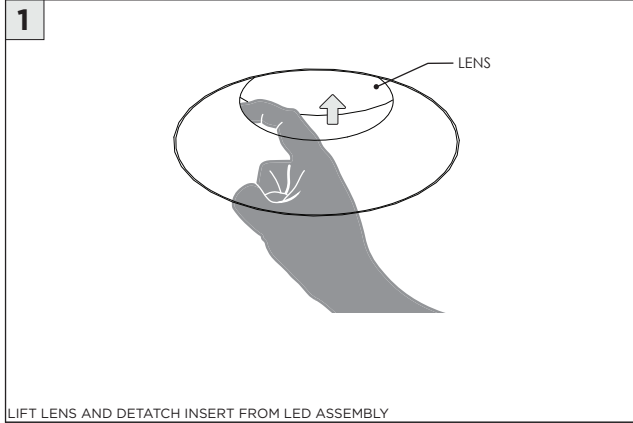
**2**



**2A**

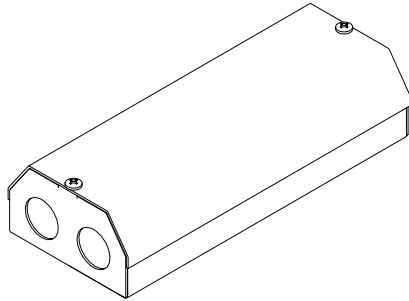


**LED SERVICING**



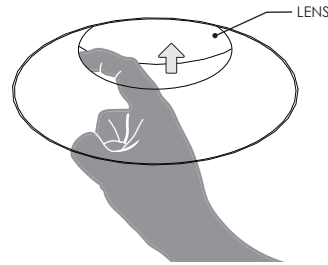
**DRIVER SERVICING**

**1 RMD - REMODEL**



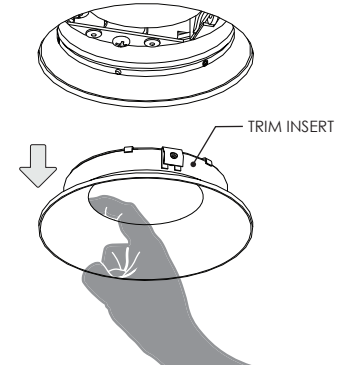
DISCONNECT POWER BEFORE SERVICING

**2**

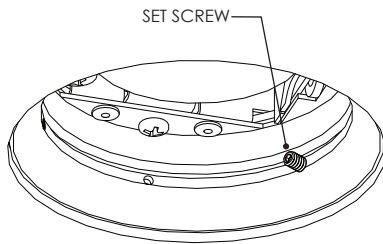


LIFT LENS AND DETACH INSERT FROM LED ASSEMBLY

**2A**



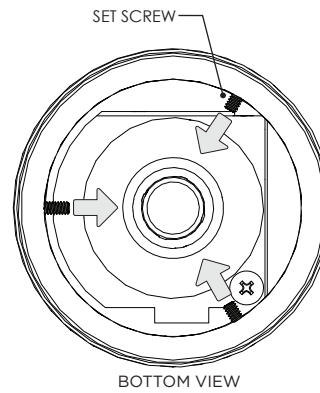
**3**



LOOSEN THREE SET SCREWS INSIDE LED ASSEMBLY

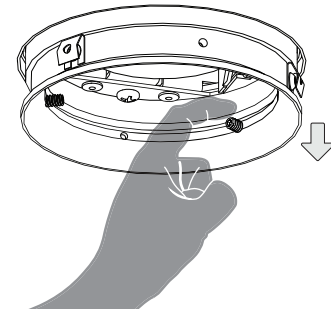
DO NOT FULLY REMOVE SET SCREWS FROM HOUSING

**3A**



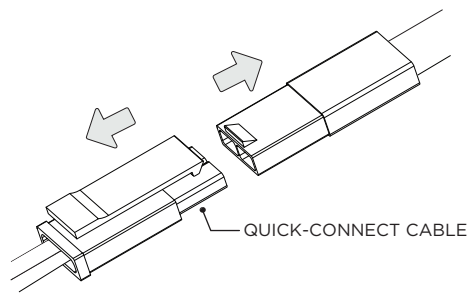
BOTTOM VIEW

**4**



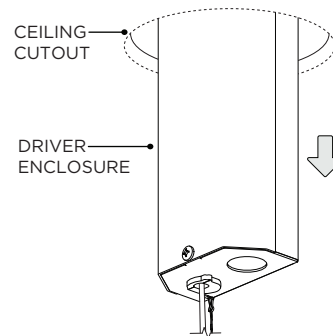
UNCLIP LED ASSEMBLY FROM CEILING BY PULLING DOWN ON EACH SET SCREW

**4A**

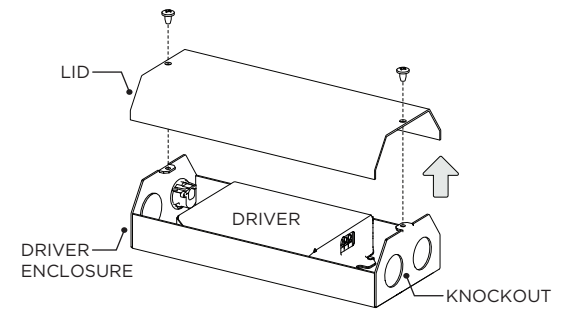


DISCONNECT SAFETY CABLE & QUICK-CONNECT CABLE FROM LED ASSEMBLY

**5**

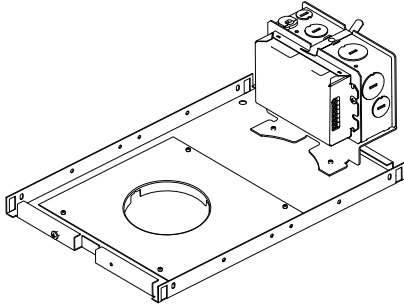


**6**



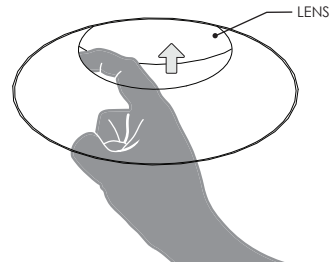
**DRIVER SERVICING**

**1 NCF - NEW CONSTRUCTION FRAME**



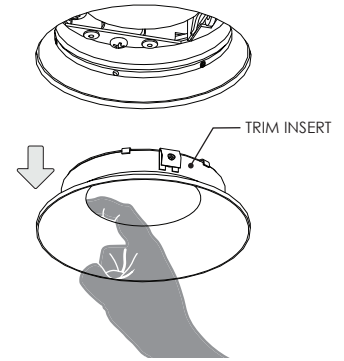
DISCONNECT POWER BEFORE SERVICING

**2**

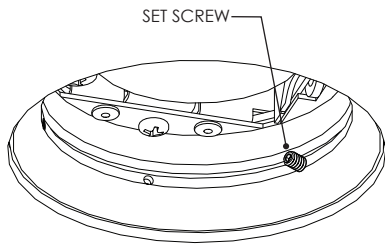


LIFT LENS AND DETACH INSERT FROM ADAPTER RING

**2A**



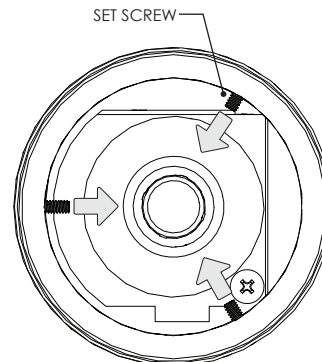
**3**



LOOSEN THREE SET SCREWS INSIDE ADAPTER RING

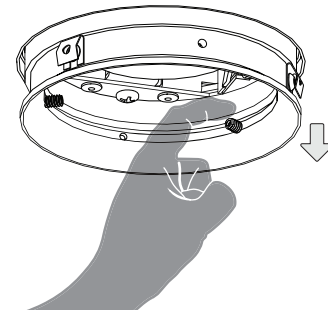
DO NOT FULLY REMOVE SET SCREWS FROM HOUSING

**4**



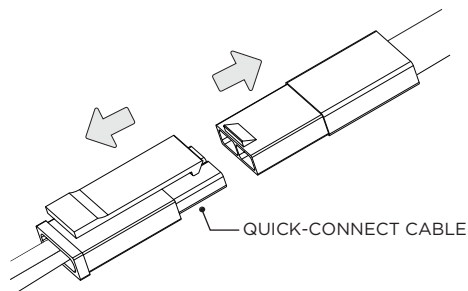
BOTTOM VIEW

**5**



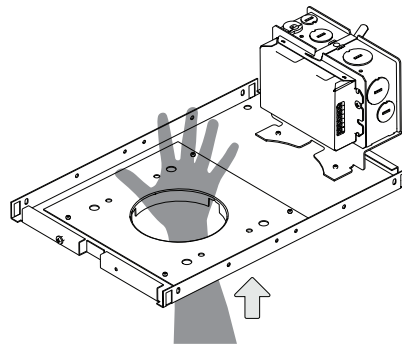
UNCLIP ADAPTER RING FROM CEILING BY PULLING DOWN ON EACH SET SCREW

**5A**

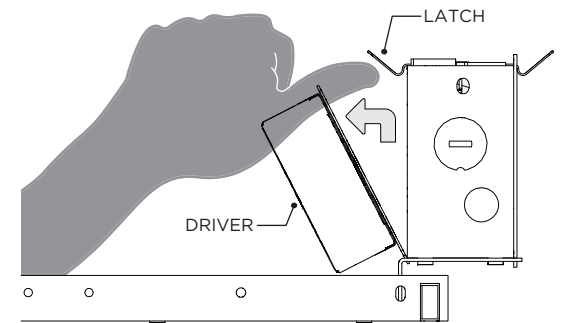


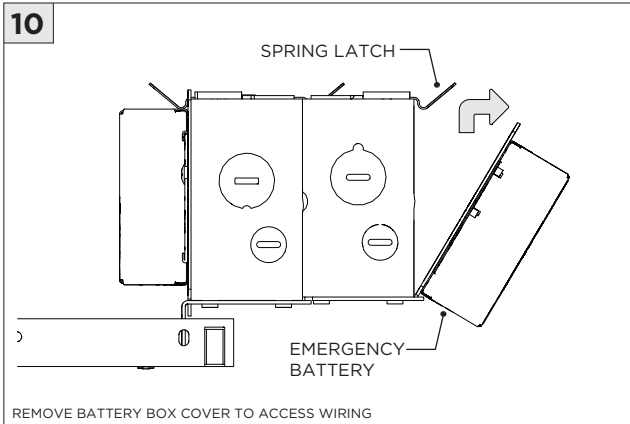
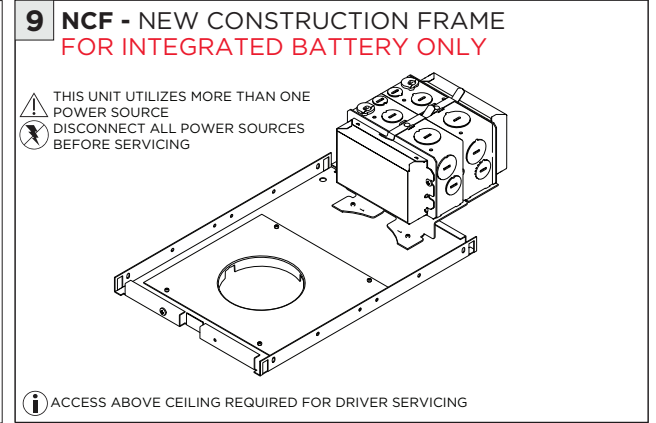
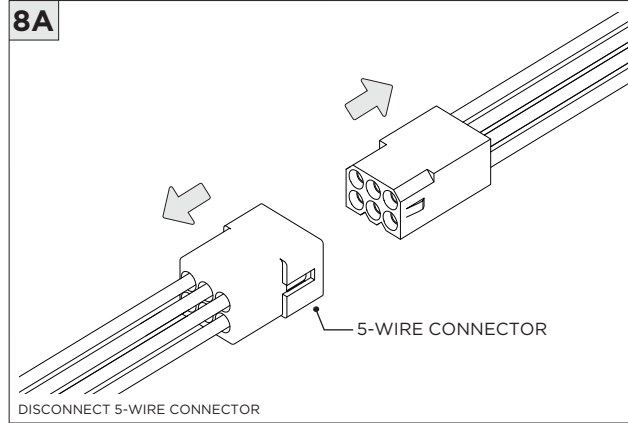
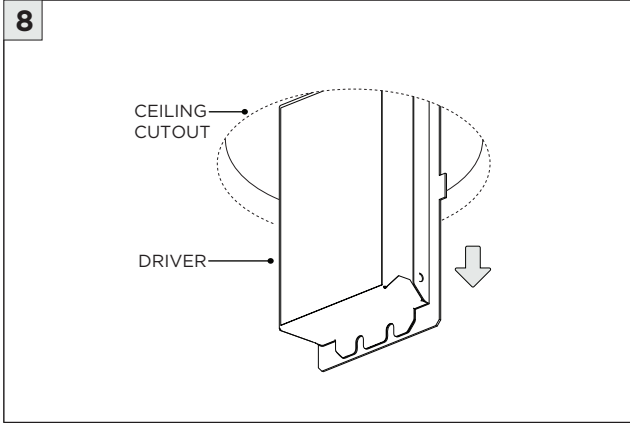
DISCONNECT QUICK-CONNECT CABLE FROM LED ASSEMBLY

**6**



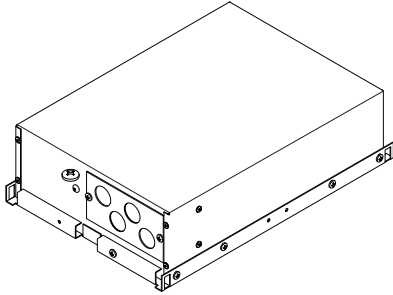
**7**





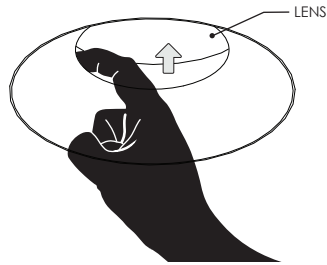
**DRIVER SERVICING**

**1 SH - SHALLOW HOUSING**



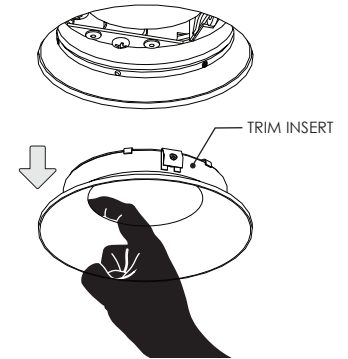
⚡ DISCONNECT POWER BEFORE SERVICING

**2**

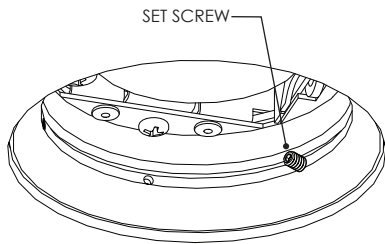


LIFT LENS AND DETACH INSERT FROM ADAPTER RING

**2A**



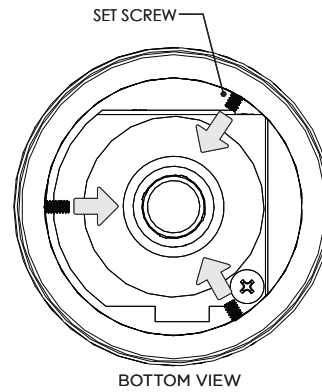
**3**



LOOSEN THREE SET SCREWS INSIDE ADAPTER RING

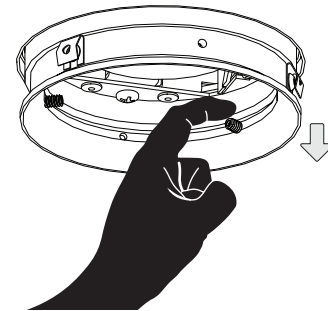
⚠ DO NOT FULLY REMOVE SET SCREWS FROM HOUSING

**4**



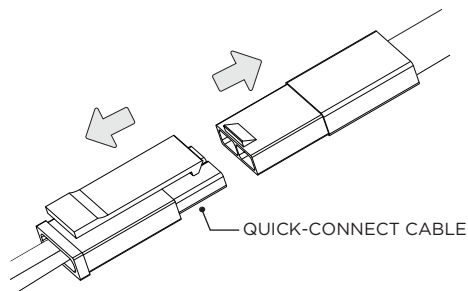
BOTTOM VIEW

**5**



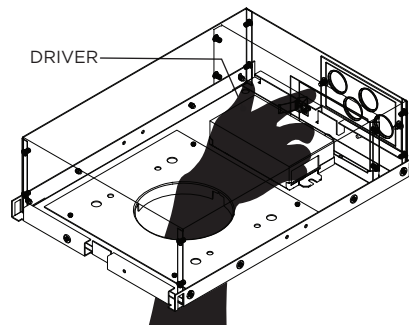
UNCLIP ADAPTER RING FROM CEILING BY PULLING DOWN ON EACH SET SCREW

**5A**



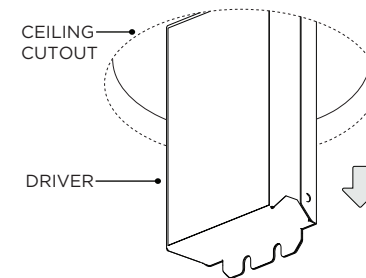
DISCONNECT QUICK-CONNECT CABLE FROM LED ASSEMBLY

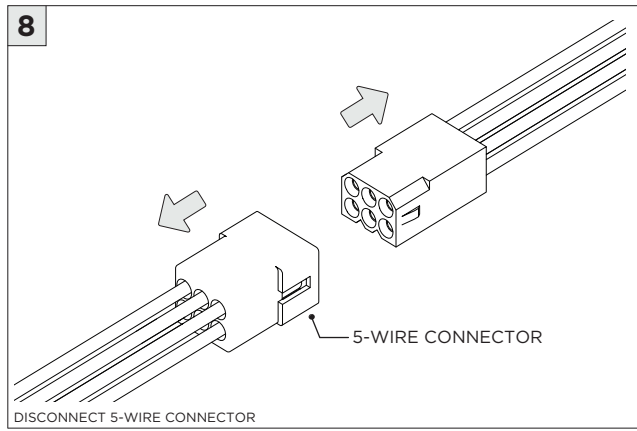
**6**



REMOVE DRIVER - SECURED WITH HOOK-AND-LOOP FASTENER

**7**

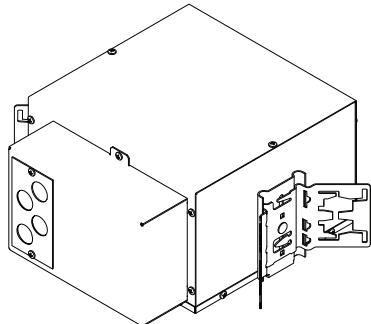






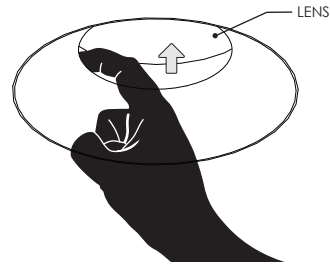
**DRIVER SERVICING**

**1 NC/iC - NEW CONSTRUCTION HOUSING**



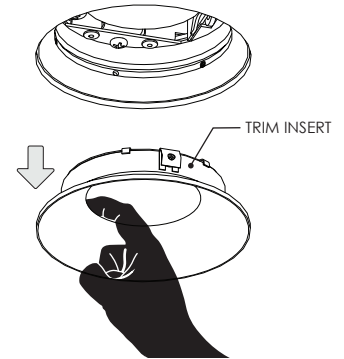
DISCONNECT POWER BEFORE SERVICING

**2**

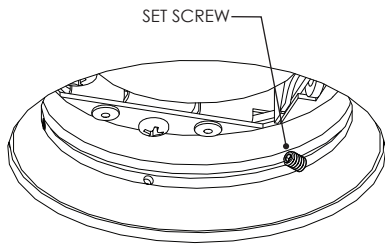


LIFT LENS AND DETACH INSERT FROM ADAPTER RING

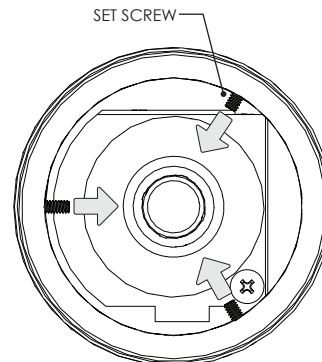
**2A**



**3**

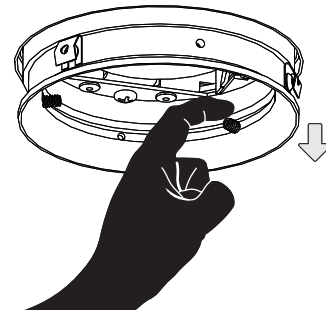


**4**



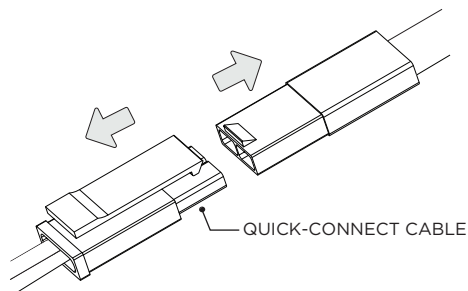
BOTTOM VIEW

**5**



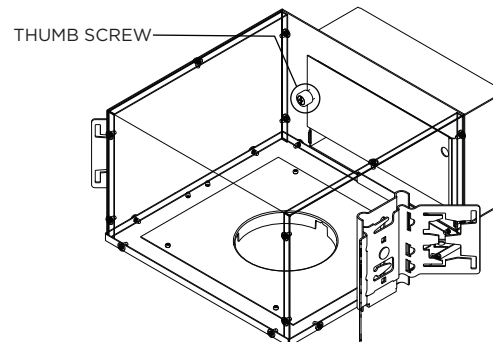
UNCLIP ADAPTER RING FROM CEILING BY PULLING DOWN ON EACH SET SCREW

**5A**



DISCONNECT QUICK-CONNECT CABLE FROM LED ASSEMBLY

**6**



**7**

