

3G LIGHTING

3G-DL45RA

4.5" ROUND ADJUSTABLE
DOWNLIGHT

4.5" round, adjustable high performance downlight
 Proprietary hot aiming mechanism with sliding center beam optimization
 0° - 40° lockable tilt and 362° lockable rotation
 Regressed LED source for enhanced glare control
 Lumen range up to 4000lm (80+, 90+, and 97+ CRI options)
 Remodel housing available along with other housing options
 1% dimming standard with several integral driver options



ORDERING INFORMATION

PROJECT:	<input type="text"/>	TYPE:	<input type="text"/>
CATALOG #:	<input type="text"/>	DATE:	<input type="text"/>

CAT. NO	LUMEN OUTPUT	CRI	COLOR TEMP	BEAM ANGLE	VOLTAGE
3G-DL45RA	10 - 1000 LUMENS	S80 - 80+ CRI	27K - 2700K	10D - 10° ²	UNV - 120/277V
	15 - 1500 LUMENS	H90 - 90+ CRI	30K - 3000K	20D - 20°	120 - 120V
	22 - 2200 LUMENS	H97 - 97+ CRI ¹	35K - 3500K	40D - 40°	347 - 347V (0-10V ONLY)
	30 - 3000 LUMENS		40K - 4000K	60D - 60°	
	40 - 4000 LUMENS				

DRIVER	FLANGE TYPE	BEVELED INSERT	HOUSING TYPE
DIM - 0-10V (STANDARD 100-1%)	WT - WHITE TRIM	WI - WHITE	RMD - REMODEL (NON-IC)
LE - PHASE DIMMING ³ (TRIAC/ELV, 100-1%)	BT - BLACK TRIM	SI - SILVER	NCF - NEW CONSTRUCTION FRAME (NON-IC)
LTEA - LUTRON HI-LUME LTEA ³ (FWD PHASE, 100-1%)	ST - SILVER TRIM	BI - BLACK	NC - NEW CONSTRUCTION HOUSING (CP RATED)
D01 - 0-10V (eLdoLED, 100-0.1%)	XTR - TRIMLESS		IC - NEW CONSTRUCTION IC HOUSING ⁶
DALI - DALI (eLdoLED, 100-1%) ⁴	MWF - FLANGELESS (MILLWORK) ⁵		
DHL2 - LUTRON HI-LUME LDE1 (1% ECOSYSTEM)			
DMX - DMX (eLdoLED, 100-0%)			

OPTIONS

- SF70** - SOFTENING LENS (SUPPLIED STANDARD)
- LS70** - LINEAR SPREAD LENS
- SB70** - SANDBLASTED LENS
- CP** - CHICAGO PLENUM⁷
- BH** - C-CHANNEL BAR HANGERS
- EMR** - EMERGENCY BATTERY (REMOTE)⁸

Maximum 1 optical accessory

¹ 97+ CRI available up to 3000lm. Available in 30K and 35K as standard
² 10D reflector available up to 2200lm
³ Phase dimming options available in 120V only
⁴ DALI-2 (Type 6) provided as standard. consult factory for DALI Type 8 option
⁵ MWF not available with Remodel (NON-IC)
⁶ New Construction IC housing available up to 2200lm
⁷ Chicago Plenum option available with New Construction Housing
⁸ Emergency battery installed remotely by others. Not accessible through the inside of the fixture

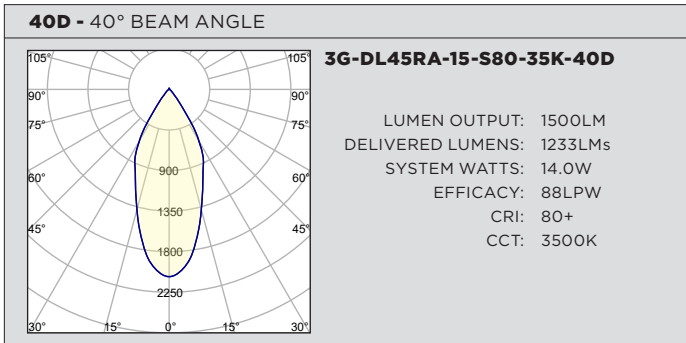
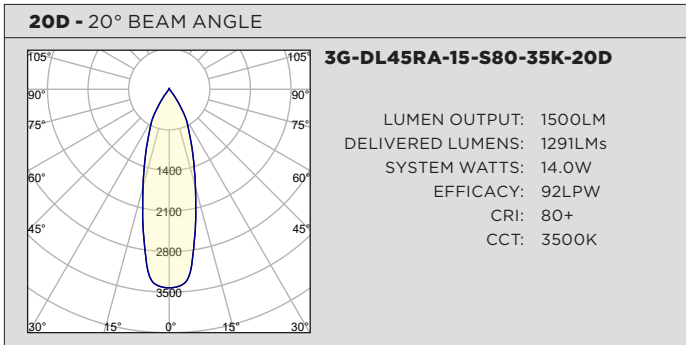
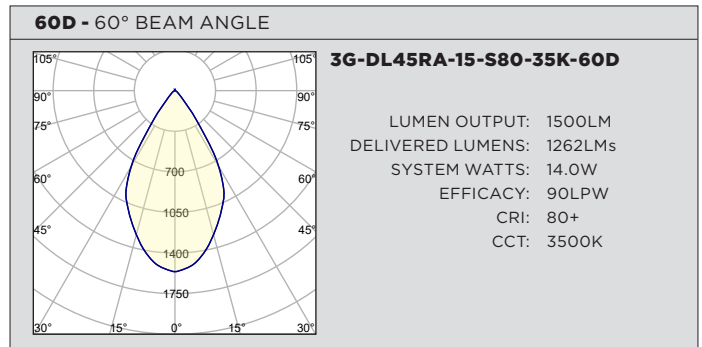
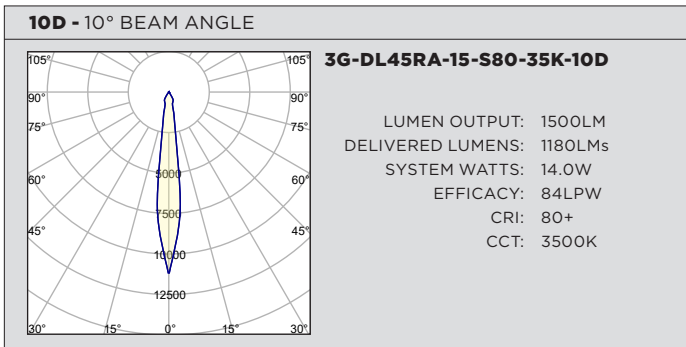
MARCH 26, 2021

PERFORMANCE CHART BASED ON 20° BEAM ANGLE AND 3500K SOURCE WITH SOFTENING LENS

LUMEN OUTPUT	80+ CRI			90+ CRI			97+ CRI		
	DELIVERED LUMENS	SYSTEM WATTS	EFFICACY (LPW)	DELIVERED LUMENS	SYSTEM WATTS	EFFICACY (LPW)	DELIVERED LUMENS	SYSTEM WATTS	EFFICACY (LPW)
1000LMs	986	10.3	96	868	10.3	84	809	10.3	78
1500LMs	1291	14.0	92	1136	14.0	81	1058	14.0	76
2200LMs	1958	22.0	89	1723	22.0	78	1606	22.0	73
3000LMs	2506	31.3	80	2206	31.3	70	2055	31.3	66
4000LMs	3531	43	82	3107	43	72	N/A	N/A	N/A

LUMEN OUTPUT ADJUSTMENT FACTORS	CCT	Multiplier
	2700K	0.945
	3000K	0.985
	3500K	1.00
	4000K	1.01

PHOTOMETRY



TECHNICAL**HOUSING**

Remodel, new construction frame, new construction, and IC housing options available

Maximum ceiling thickness of 1" (1.5" for Millwork Flangeless and Remodel options). Consult factory for modifications

All housing options designed to be easily converted in field to trim or trimless with minimal components

Housing rated for #12 AWG (4 in, 4 out), 90°C conductors and through branch wiring

BEVELED INSERT

Cast aluminum beveled insert with matte powder coated finish

4.5" aperture with regressed LED source for enhanced glare control

TRIM

Machined aluminum trim flange with matte powder coated finish and minimal 0.375" overlap

TRIMLESS

Mudding flange features a perforated surface for easy mud-in application

Integral blocking support provided to ensure fixture is properly secured within ceiling structure

ADJUSTABILITY

Proprietary hot aiming mechanism with sliding center beam optimization

0° - 40° lockable tilt and 362° lockable rotation with Phillips screwdriver

OPTICS

Regressed LED source for enhanced glare control

Proprietary anodized, aluminum reflectors are field replaceable (10° reflector not interchangeable)

Available in 10°, 20°, 40°, 60°. All models provided standard with softening lens

ELECTRICAL

Standard 0-10V, constant current drivers with 100-1% dimming range and >0.9 power factor

Standard 120/277V universal voltage drivers. Optional 347V, 0-10V drivers

120V Forward Phase/Reverse Phase driver option with 100-1% dimming range

eldoLED 0-10V driver option available with 100-0.01% dimming range

eldoLED DALI and Lutron EcoSystem driver options available with 100-1% dimming range

DMX driver option available with 100-0% dimming range

All drivers are integral and easily accessible through fixture aperture

LED SYSTEM

Citizen LED module (field replaceable)

Color consistency <2 SDCM

Standard (80+ CRI). Optional (90+ and 97+ CRI)

Available in 27K, 30K, 35K, and 40K

L90 >50,000 hours

5 Year Warranty

MOUNTING

Trim fixture designed for use in drywall, wood, acoustic, and other architectural ceilings

Trimless fixture designed for use in drywall, mud-in ceiling applications

Recommended ceiling cut-out for all housing options (5 1/8" diameter). Millwork Flangeless (4.78" diameter)

New construction frame ships with bar hangers (14" to 26" extension)

Standard new construction and IC housings available with optional c-channel bar hangers

LISTING

ETL listed and tested to cUL standards. Suitable for dry and damp location

WARRANTY

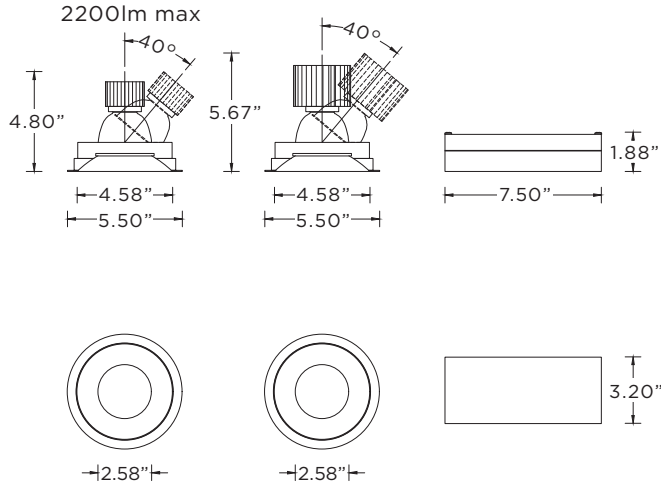
5 Year Warranty on LED and drivers

Manufacturer 1 Year Warranty for defects in material and workmanship under normal use

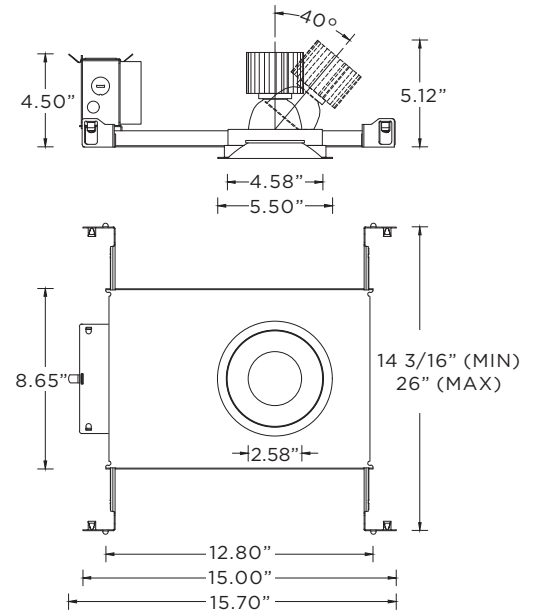
Ambient temperature at fixture should not exceed 25°C

TRIM HOUSING OPTIONS

RMD - Remodel (Non-IC) (4000lm max)

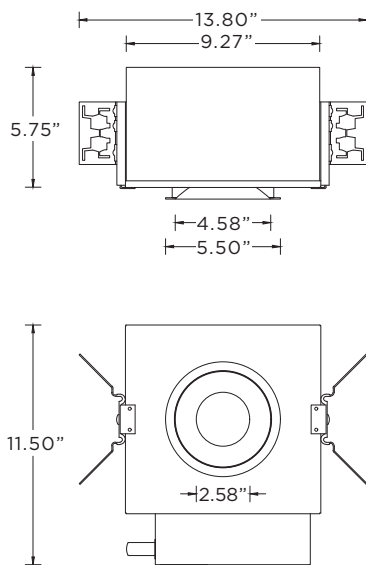


NCF - New Construction Frame (Non-IC) (4000lm max)



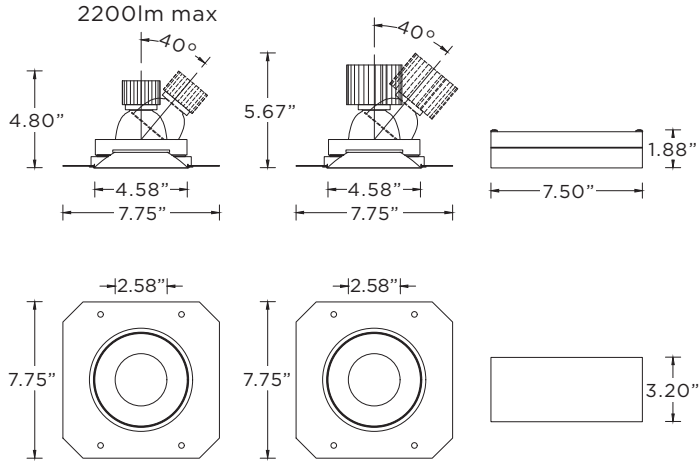
NC - New Construction Housing (Non-IC and CP rated)

IC - New Construction IC Housing (2200lm max)

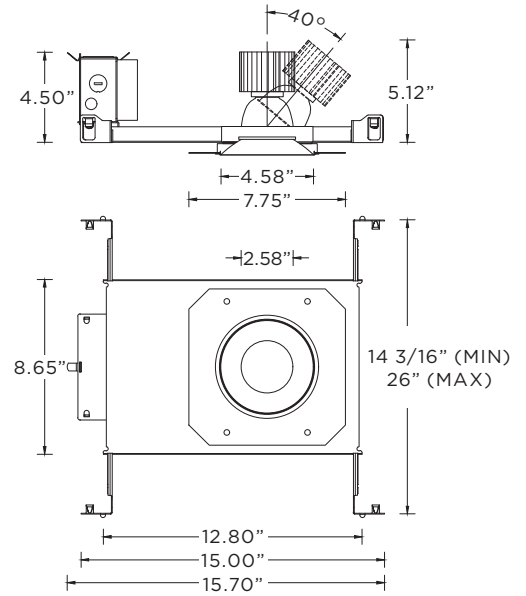


TRIMLESS HOUSING OPTIONS

RMD - Remodel (Non-IC)

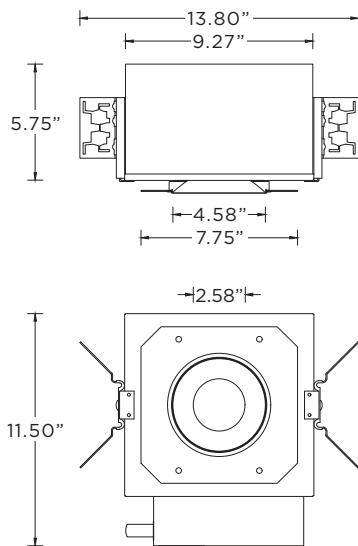


NCF - New Construction Frame (Non-IC)



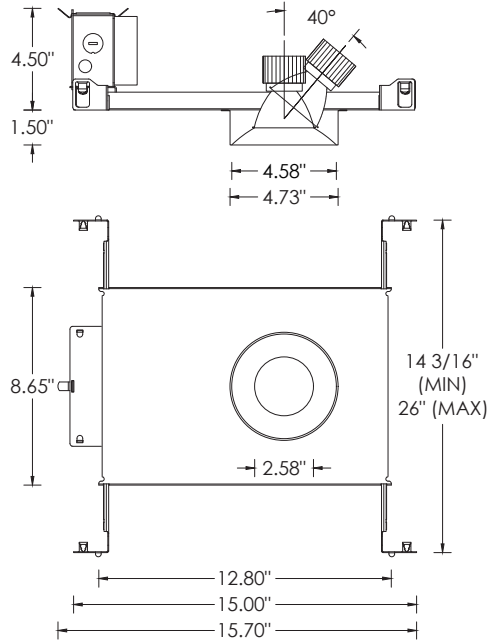
NC - New Construction Housing (Non-IC and CP rated)

IC - New Construction IC Housing (2200lm max)



FLANGELESS MILLWORK OPTIONS

NCF - New Construction Frame (Non-IC)



NC - New Construction Housing (Non-IC and CP rated)
IC - New Construction IC Housing (2200lm max)

