

3GQ 3GQ-DL45RA

4.5" ROUND ADJUSTABLE
DOWNLIGHT



4.5" round, adjustable high performance downlight
 Proprietary hot aiming mechanism with sliding center beam optimization
 0° - 40° lockable tilt and 362° lockable rotation
 Regressed LED source for enhanced glare control
 Lumen range up to 3000lm
 2 SDCM, Citizen LED source available in 30K and 35K (80+ CRI)
 Universal voltage, 0-10V driver with 100-1% dimming range
 Shallow housing available along with other housing options

10 DAY QUICKSHIP
Max Order Size: 50 pcs

ORDERING INFORMATION

PROJECT:	<input type="text"/>	TYPE:	<input type="text"/>
CATALOG #:	<input type="text"/>	DATE:	<input type="text"/>

CAT. NO	LUMEN OUTPUT	CRI	COLOR TEMP	BEAM ANGLE	VOLTAGE
3GQ-DL45RA	10 - 1000 LUMENS	S80 - 80+ CRI	30K - 3000K	20D - 20°	UNV - 120/277V
	15 - 1500 LUMENS		35K - 3500K	40D - 40°	
	22 - 2200 LUMENS			60D - 60°	
	30 - 3000 LUMENS				

DRIVER	FLANGE TYPE	BEVELED INSERT	HOUSING TYPE
DIM - 0-10V (STANDARD 100-1%)	WT - WHITE TRIM XTR - TRIMLESS	WI - WHITE	RMD - REMODEL (NON-IC) NCF - NEW CONSTRUCTION FRAME (NON-IC) NC - NEW CONSTRUCTION HOUSING (CP RATED) IC - NEW CONSTRUCTION IC HOUSING ¹

OPTIONS
SF70 - SOFTENING LENS (SUPPLIED STANDARD) CP - CHICAGO PLENUM ² BH - C-CHANNEL BAR HANGERS

¹ IC Housing available up to 2200lm
² Chicago Plenum option available with New Construction Housing

Refer to standard specification sheets for complete details. Please note that only options shown above qualify for 10 day 3GQ program APRIL 22, 2021

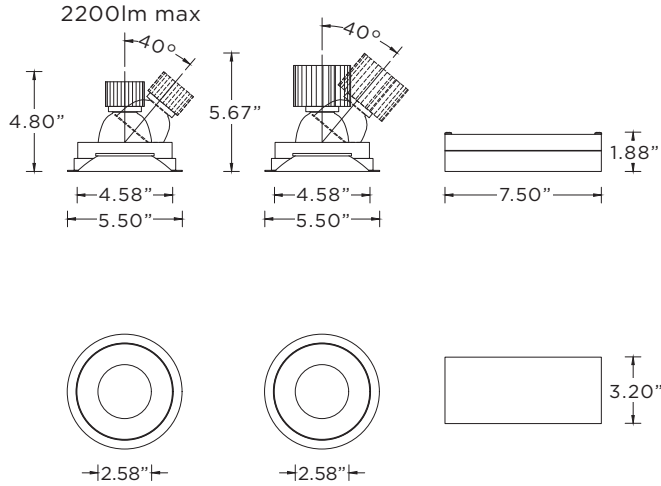


3GQ-DL45RA

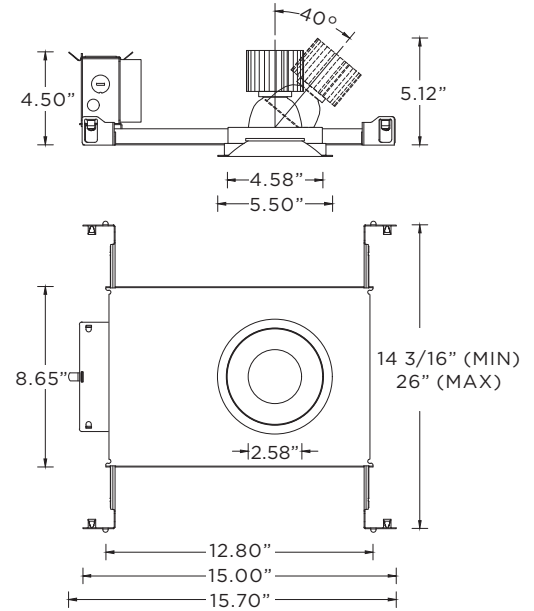
4.5" ROUND ADJUSTABLE - DOWNLIGHT

TRIM HOUSING OPTIONS

RMD - Remodel (Non-IC)

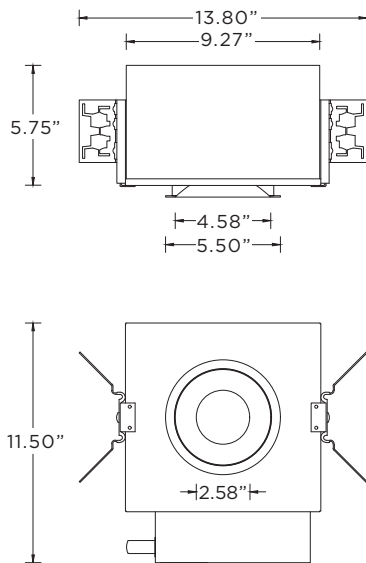


NCF - New Construction Frame (Non-IC)



NC - New Construction Housing (Non-IC) (Chicago Plenum Rated)

IC - IC Housing (2200lm max)



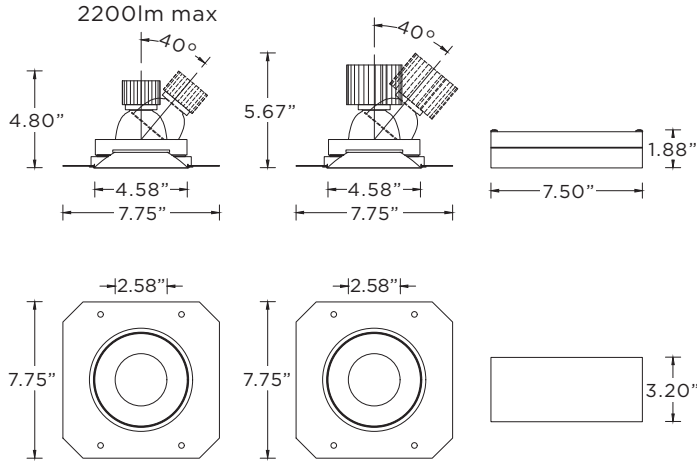


3GQ-DL45RA

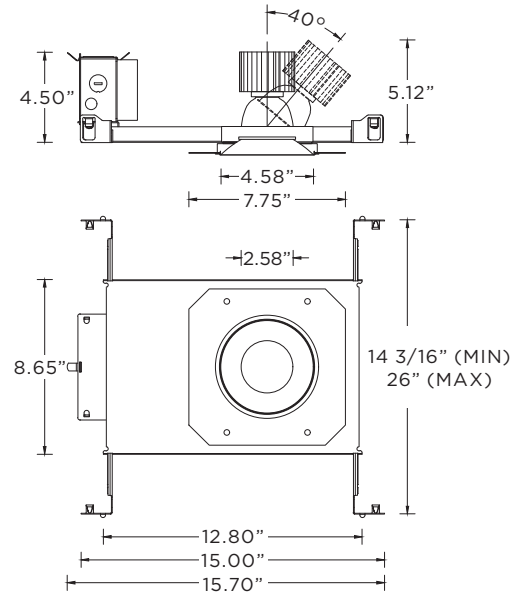
4.5" ROUND ADJUSTABLE - DOWNLIGHT

TRIMLESS HOUSING OPTIONS

RMD - Remodel (Non-IC)



NCF - New Construction Frame (Non-IC)



NC - New Construction Housing (Non-IC) (Chicago Plenum Rated)

IC - IC Housing (2200lm max)

