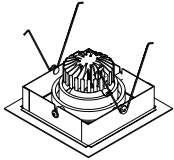
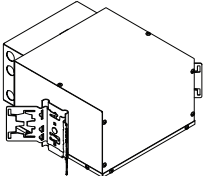
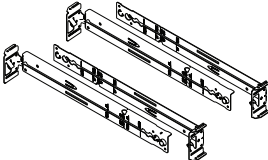








3G-RC1, 3G-RC2, 3G-RC3, 3G-RC4, 3G-RC4SQ
3G-RC1M5, 3G-RC2M5, 3G-RC3M5
 1 LIGHT, 2 LIGHT, 3 LIGHT, 4 LIGHT RECESSED MADISON
 TRIM



i THE IMAGES SHOWN ARE FOR ILLUSTRATION PURPOSES ONLY AND MAY NOT BE AN EXACT REPRESENTATION OF THE PRODUCT

INCLUDED COMPONENTS	
NC/IC - NEW CONSTRUCTION HOUSING (FOR NEW CONSTRUCTION ONLY)	
 LED INSERT (RC1 SHOWN)	 NEW CONSTRUCTION HOUSING (RC1 SHOWN)
 BAR HANGERS (OPTIONAL)	

INSTRUCTION KEY	INFORMATION
 ADDITIONAL	INSTALLATION SHOULD ONLY BE PERFORMED BY A CERTIFIED ELECTRICIAN
 ATTENTION	REFER TO LOCAL/NATIONAL CODES FOR PROPER INSTALLATION
 POWER ON	FAILURE TO FOLLOW INSTALLATION INSTRUCTION MAY VOID THE WARRANTY
 POWER OFF	DO NOT TOUCH LEDS. LEDS MUST BE PROTECTED FROM MECHANICAL STRESS OR DEBRIS
	TURN OFF POWER DURING INSTALLATION OR SERVICING

1 BAR HANGER INSTALLATION
(IF SUPPLIED BY 3G)

BAR HANGER (OPTIONAL)

BUTTERFLY BRACKET

1A

STRUCTURE (BY OTHERS)

DRYWALL SCREW (BY OTHERS)

2 OTHER BAR HANGER INSTALLATION
(NOT PROVIDED BY 3G)

FURRING STRIP CHANNEL

1/2" EMT (x2)

1/2" x 1-1/2" CHANNEL

POSITION 5/8" - 3/4" BAR HANGERS

2 POSITIONS FOR 1/2" BAR HANGERS

BUTTERFLY BRACKET SIDE VIEW

3

KNOCKOUT LID

REMOVE ELECTRICAL BOX KNOCKOUT LID TO ACCESS WIRING

3A

WIRING LEGEND

BLACK	HOT/LINE
WHITE	NEUTRAL
GREEN	GROUND
ORANGE	(DIM-)
PURPLE	(DIM+)

MAKE WIRING CONNECTIONS

4 CEILING CUTOUT DIMENSIONS

FIXTURE TYPE	CEILING HOLE SIZE	FIXTURE TYPE	CEILING HOLE SIZE
RC1	6.05" x 6.05"	RC1M5	5.05" x 5.05"
RC2	13.60" x 6.05"	RC2M5	11.63" x 5.05"
RC3	19.10" x 6.05"	RC3M5	16.38" x 5.05"
RC4	24.60" x 6.05"		
RC4SQ	10.84" x 10.84"		

INSTALL CEILING BELOW FIXTURE

5

CEILING CUTOUT

QUICK-CONNECT CABLE

INSERT LED ASSEMBLY INTO CEILING

5A

QUICK-CONNECT CABLE

CONNECT QUICK-CONNECT CABLE TO LED ASSEMBLY

5B

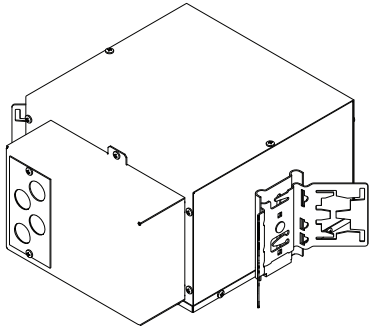
CEILING CUTOUT

HOUSING CLIPS

ENGAGE SPRINGS TO HOUSING CLIPS TO SECURE LED INSERT INTO CEILING

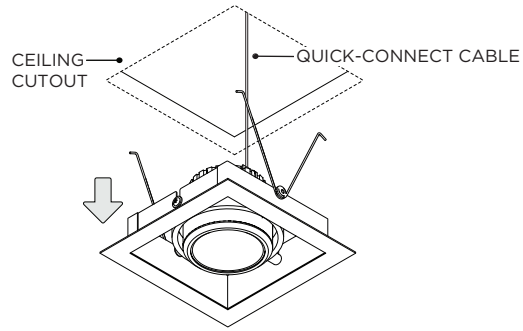
DRIVER SERVICING

1 NC/IC - NEW CONSTRUCTION HOUSING



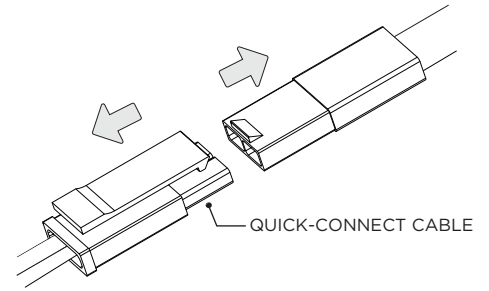
DISCONNECT POWER BEFORE SERVICING

2



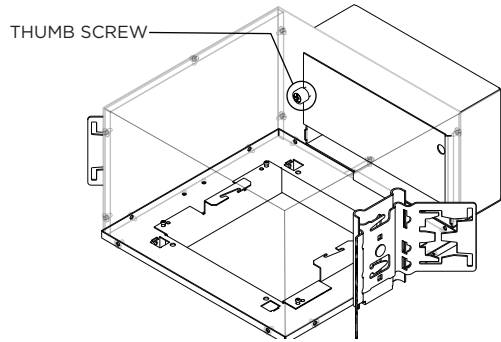
REMOVE LED ASSEMBLY FROM CEILING

2A

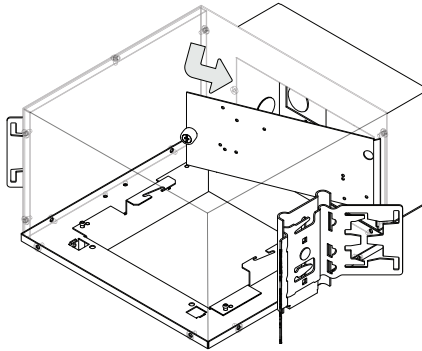


DISCONNECT QUICK-CONNECT CABLE FROM LED ASSEMBLY

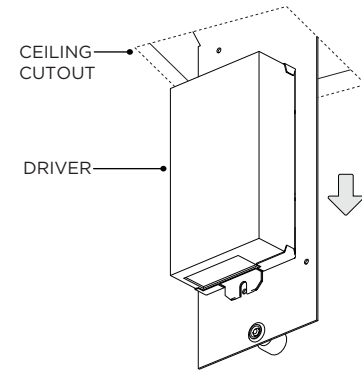
3



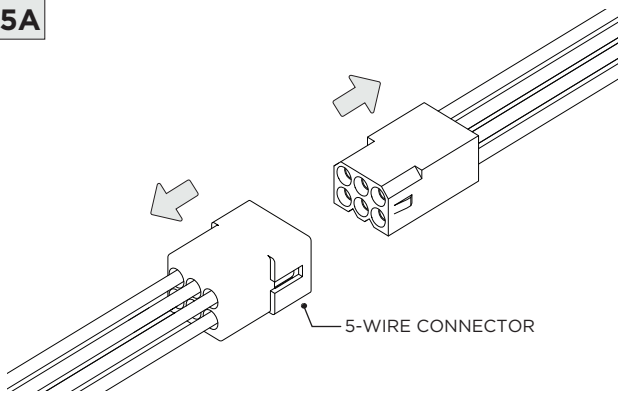
4



5



5A



DISCONNECT 5-WIRE CONNECTOR

LED SERVICING

