



3G-4RLI

3.5" RECESSED LINEAR
TRIM, TRIMLESS & FLANGELESS

3.5" aperture with one piece extruded aluminum housing
Individual or continuous runs available in multiple run configurations
Suitable for drywall, wood, and various architectural ceiling
Extruded acrylic lens available in flush, 1" and 2" drop lens options
All drop lens options feature illuminated end caps
1% dimming standard with several driver options



ORDERING INFORMATION

PROJECT:	<input type="text"/>	TYPE:	<input type="text"/>
CATALOG #:	<input type="text"/>	DATE:	<input type="text"/>

CAT. NO	LUMEN OUTPUT	CRI	COLOR TEMP		DRIVER
3G-4RLI	L250 - LOW OUTPUT (250 LM/FT) ¹	S80 - 83+ CRI (STANDARD)	27K - 2700K	UNV - 120/277V	DIM - 0-10V (STANDARD 100-1%)
	L500 - MEDIUM OUTPUT (500 LM/FT)		30K - 3000K		DHL2 - LUTRON HI-LUME LDE (100-1% ECOSYSTEM)
	L750 - HIGH OUTPUT (750 LM/FT)	H90 - 93+ CRI	35K - 3500K	347 - 347V (0-10V ONLY)	DALI - DALI (100-1%)
	L1000 - VERY HIGH OUTPUT (1000 LM/FT) ²		40K - 4000K		DO1 - 0-10V (100-0.1%)
	LC ____ - CUSTOM OUTPUT (SPECIFY LM/FT)				

FLANGE TYPE	LENS OPTION	OPTIONS	LENGTH (FEET)
WT - WHITE TRIM	FL - FLUSH	EMC - EMERGENCY CIRCUIT	S - ____' (STRAIGHT RUN)*
XTR - TRIMLESS	DD1 - 1" DROP LENS	CP - CHICAGO PLENUM	L - ____' X ____' (L-SHAPE)
FX - FLANGELESS	DD2 - 2" DROP LENS		U - ____' X ____' X ____' (U-SHAPE)
	DASY - ASYMMETRIC OPTIC		R - ____' X ____' (RECTANGLE/SQUARE)
			T - ____' X ____' (T-SHAPE)
			X - ____' X ____' (X-SHAPE)
			CUS - ____ (CUSTOM LAYOUT)

* Individual units available in 2' through 8'
2' fixtures not available for grid ceiling applications
Continuous runs available in 1' increments

¹ L250 (250LM/FT) not available in 2' and 3' lengths
(Please specify LC400 for 2' and 3' fixture length when outputs lower than 500LM/FT are required)

² L1000 (1000LM/FT) not available for H90 (93+ CRI)





3G-4RLI

LIGHTING 3.5" RECESSED LINEAR - TRIM, TRIMLESS & FLANGELESS

PERFORMANCE CHART Based on 4' length (83+ CRI and 3500K)

LENS OPTION	DELIVERED LUMENS (PER FOOT)	SYSTEM WATTS	EFFICACY (LM/W)
FLUSH	250	2.0	122
	500	4.1	123
	750	6.3	121
	1000	8.3	117
1" DROP	250	2.0	127
	525	4.1	128
	775	6.3	125
	1025	8.3	122
2" DROP	275	2.0	130
	252	4.1	129
	800	6.3	127
	1050	8.5	123
ASYMMETRIC	250	2.0	124
	500	3.9	123
	750	6.1	122
	1000	8.5	118

LUMEN OUTPUT ADJUSTMENT FACTORS	CCT	Multiplier
	2700K	0.94
	3000K	0.97
	3500K	1.00
4000K	1.01	
EFFICACY (LPW) ADJUSTMENT FACTOR	CRI	Multiplier
	93+	0.88



3G-4RLI

LIGHTING 3.5" RECESSED LINEAR - TRIM, TRIMLESS & FLANGELESS

TECHNICAL

HOUSING

- Extruded aluminum housing with 3.5" aperture
- Individual units and continuous runs available in 1' increments
- Trim flange with matte white powder coated finish and minimal 0.375" overlap
- Trimless model features a satin coat mudding flange
- 24 gauge LED reflector with high reflectance white powder coated finish
- Extruded acrylic lens with a satin finish designed for optimal performance and glare control
- Lens options available in flush, 1" drop and 2" drop
- Standard polyester powder coated matte white finish

ELECTRICAL

- Standard 0-10V, 100-1% dimming and 0.9 power factor
- Standard 120/277V universal voltage drivers. Optional 347V 0-10V driver
- Lutron EcoSystem and eLDoLED Dali options available with 100-1% dimming
- All drivers are integral and easily accessible through the aperture
- Integral Emergency Battery: 90 minutes

LED SYSTEM

- Proprietary LED system
- Color consistency < 3 SDCM
- Standard (83+CRI). Optional (93+CRI)
- Available in 27K, 30K, 35K, and 40K
- Average rated life of > 50,000 hours
- 5 year warranty

MOUNTING

- Housing suspended via 1/4" threaded rod or suspension cables
- Trim fixture designed for use in drywall, wood, and other architectural ceiling materials
- Trimless fixture designed for use in drywall, mud-in ceiling applications
- Flangeless fixture designed for use in wood ceilings

LISTING

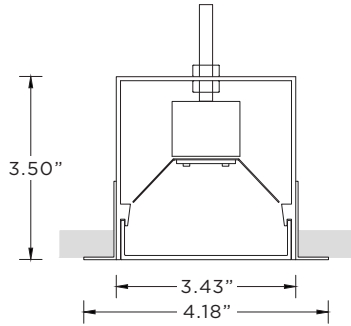
- ETL listed and tested to UL standards. Suitable for dry and damp locations

WARRANTY

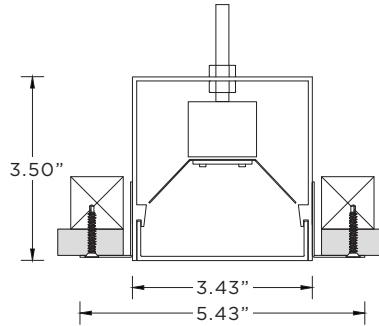
- 5 Year warranty on LED and drivers
- Manufacturer 1 year warranty for defects in material and workmanship under normal use
- Ambient temperature at fixture should not exceed 25°C

DRAWINGS AND DIMENSIONS

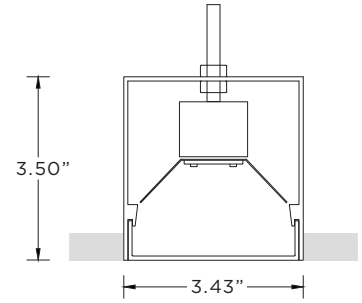
WT - TRIM



XTR - TRIMLESS

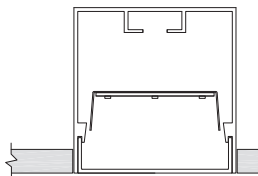


FX - FLANGELESS

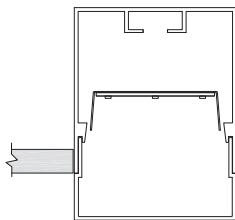


LENS OPTION

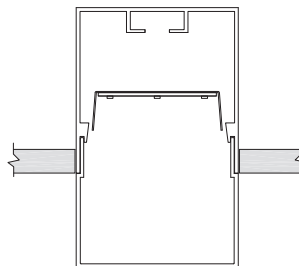
FL - FLUSH LENS



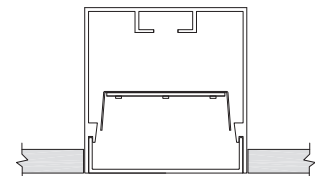
DD1 - 1" DROP LENS



DD2 - 2" DROP LENS

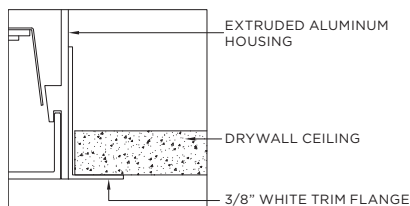


DASY - ASYMMETRIC OPTIC

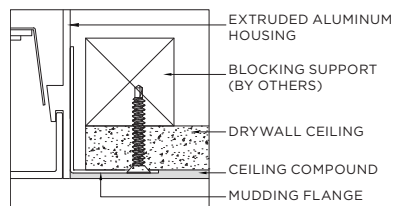


MOUNTING

WT - TRIM



XTR - TRIMLESS



FX - FLANGELESS

