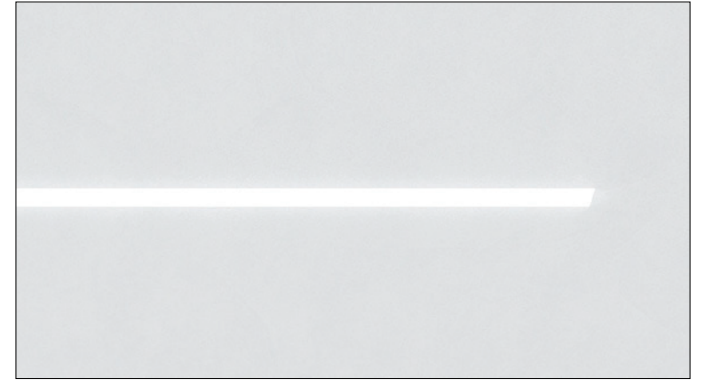
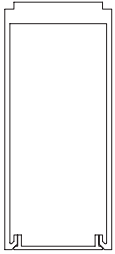
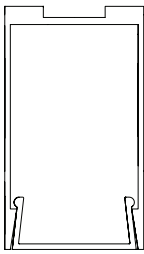
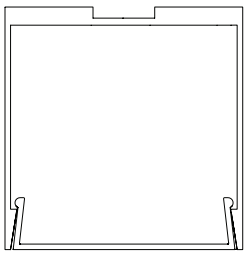
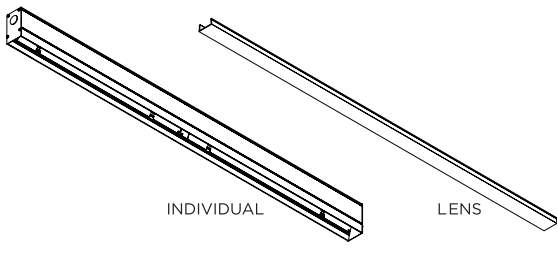
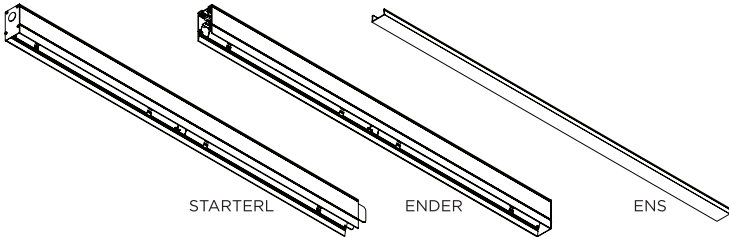
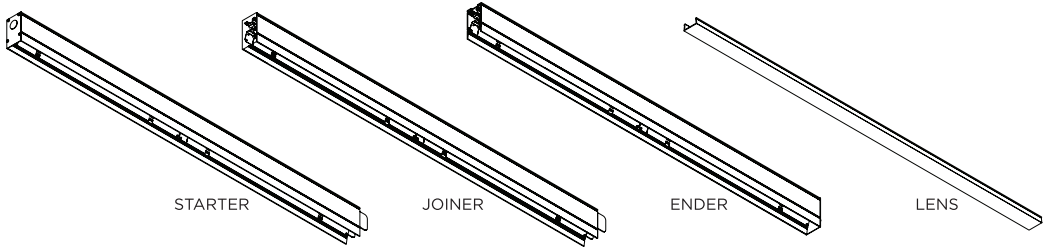




**3G-1RLI, 3G-2RLI, and 3G-4RLI**  
**1.5", 2", and 3.5" RECESSED LINIA**  
 GRID CEILING

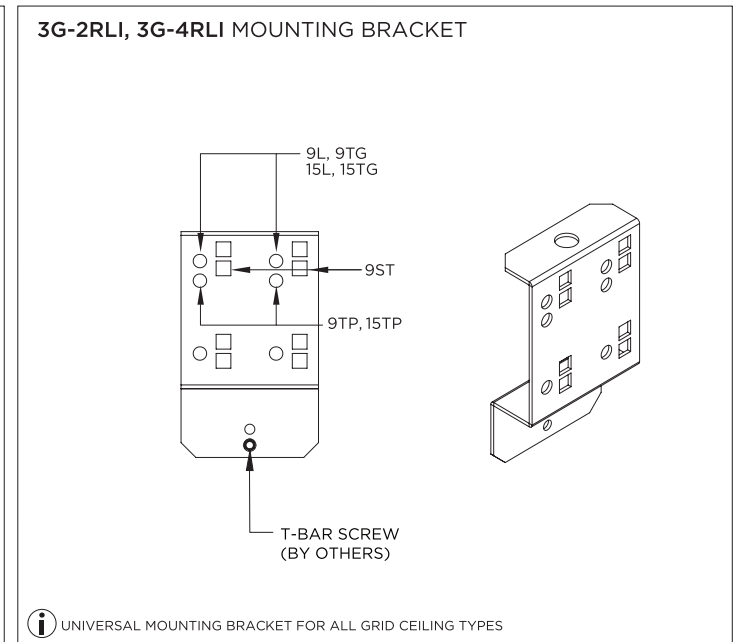
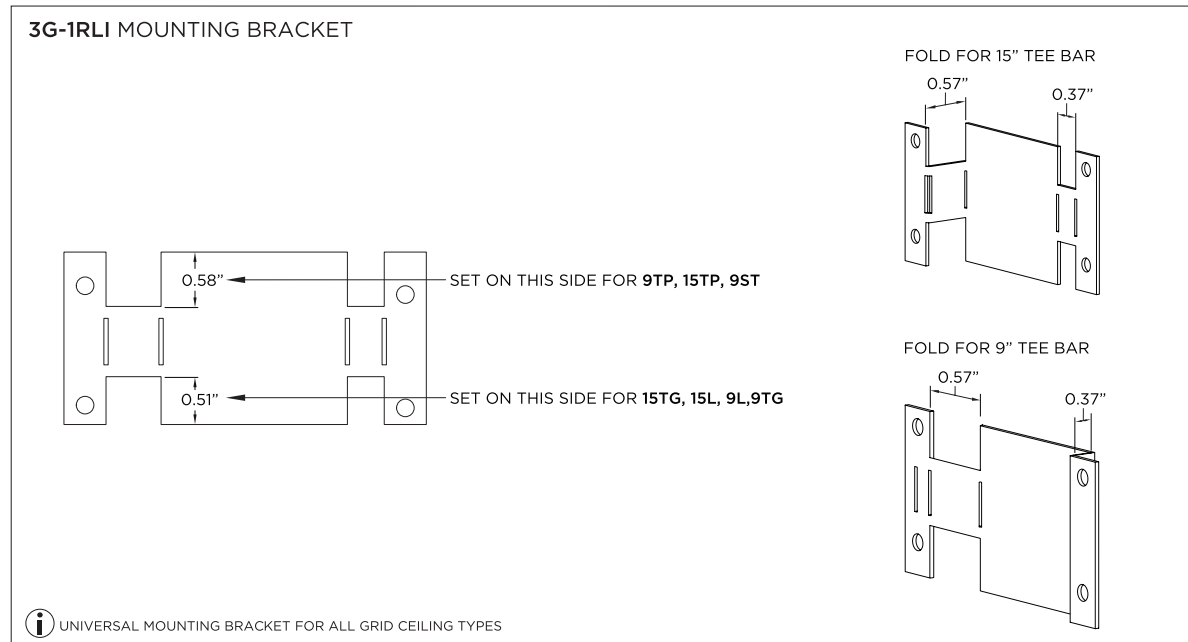
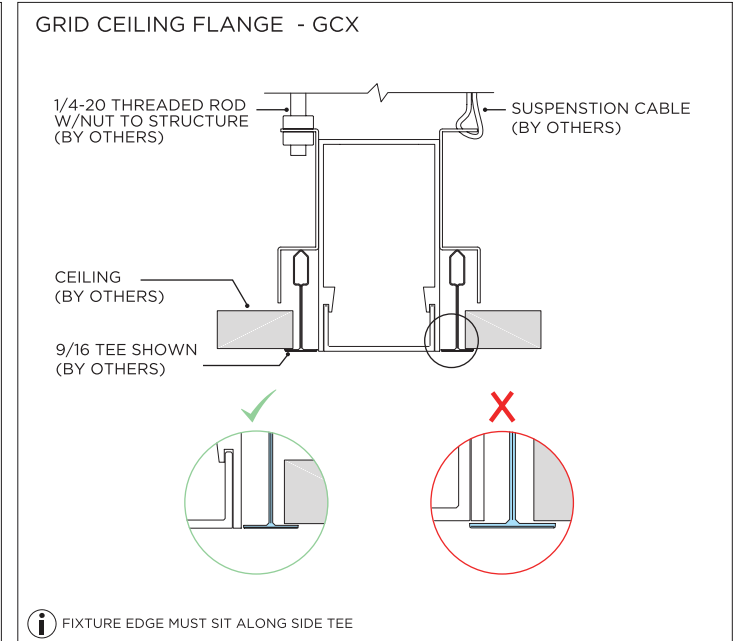
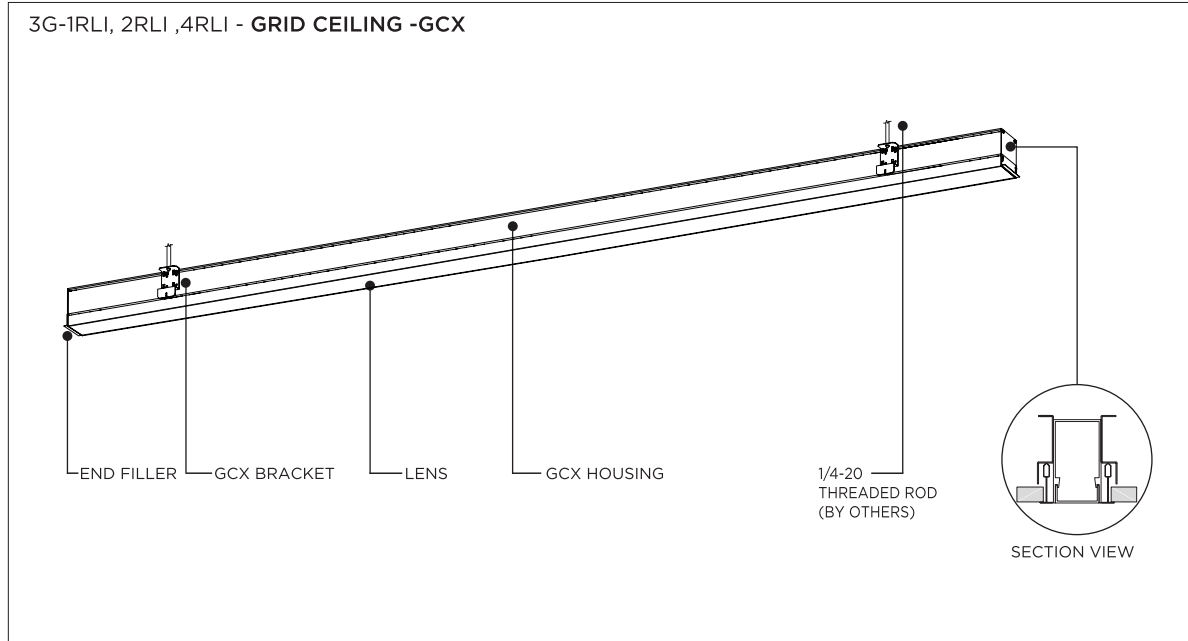


⚠ FOR **NEW CONSTRUCTION** INSTALLATION ONLY

FIXTURE TYPES			INCLUDED COMPONENTS	
<p>1RLI PROFILE</p> 	<p>2RLI PROFILE</p> 	<p>4RLI PROFILE</p> 	<p><b>Standalone Fixtures (2' to 8')</b></p>  <p>INDIVIDUAL      LENS</p>	
<p><b>Continuous Runs (9' to 16')</b></p>  <p>STARTERL      ENDER      ENS</p>			<p><b>Continuous Runs (17' and longer)</b></p>  <p>STARTER      JOINER      ENDER      LENS</p>	

INSTRUCTION KEY	INFORMATION
⚠	ADDITIONAL
ⓘ	ATTENTION
⚡	POWER ON
ⓧ	POWER OFF
	<p>INSTALLATION SHOULD ONLY BE PERFORMED BY A CERTIFIED ELECTRICIAN          REFER TO LOCAL/NATIONAL CODES FOR PROPER INSTALLATION          FAILURE TO FOLLOW INSTALLATION INSTRUCTION MAY VOID THE WARRANTY          DO NOT TOUCH LEDS. LEDS MUST BE PROTECTED FROM MECHANICAL STRESS OR DEBRIS          TURN OFF POWER DURING INSTALLATION OR SERVICING</p>

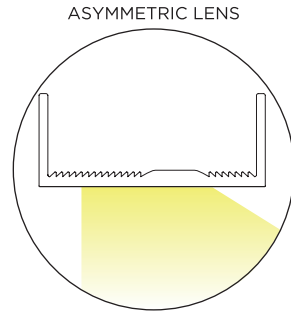
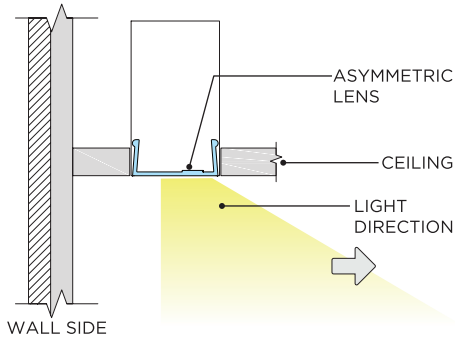
OVERVIEW



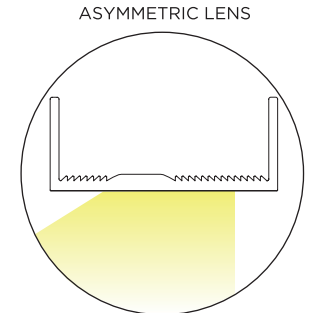
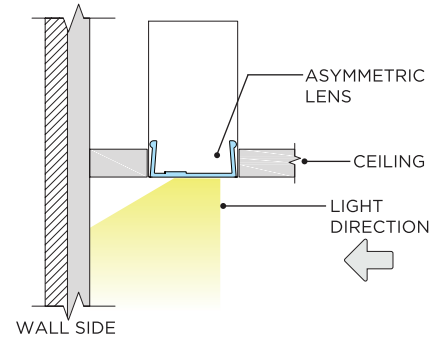
ASYMMETRIC LENS ORIENTATION

**3G-1RLI, 3G-2RLI-ASYMMETRIC LENS**

ROOM SIDE DISTRIBUTION

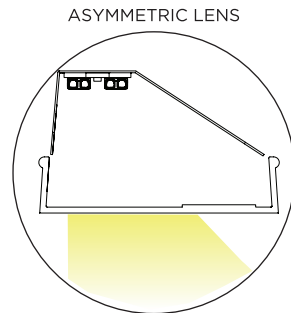
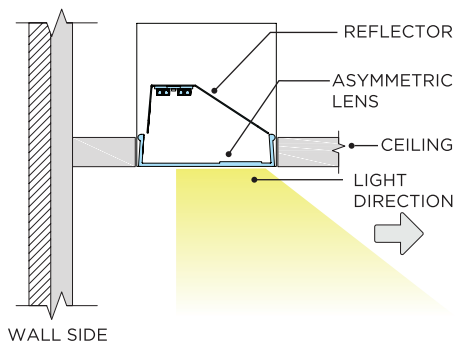


WALL GRAZING DISTRIBUTION

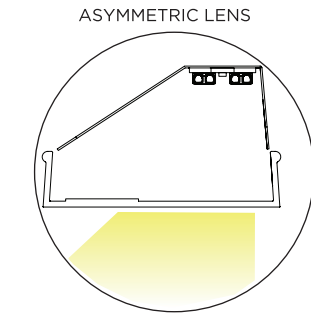
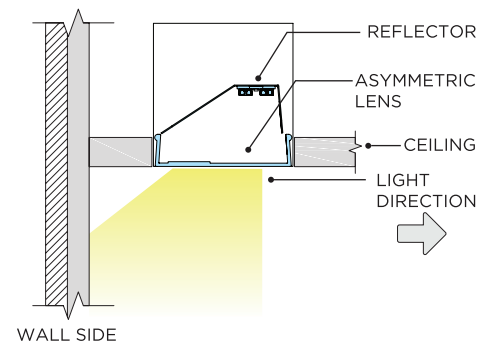


**3G-4RI-ASYMMETRIC LENS/REFLECTOR ORIENTATION**

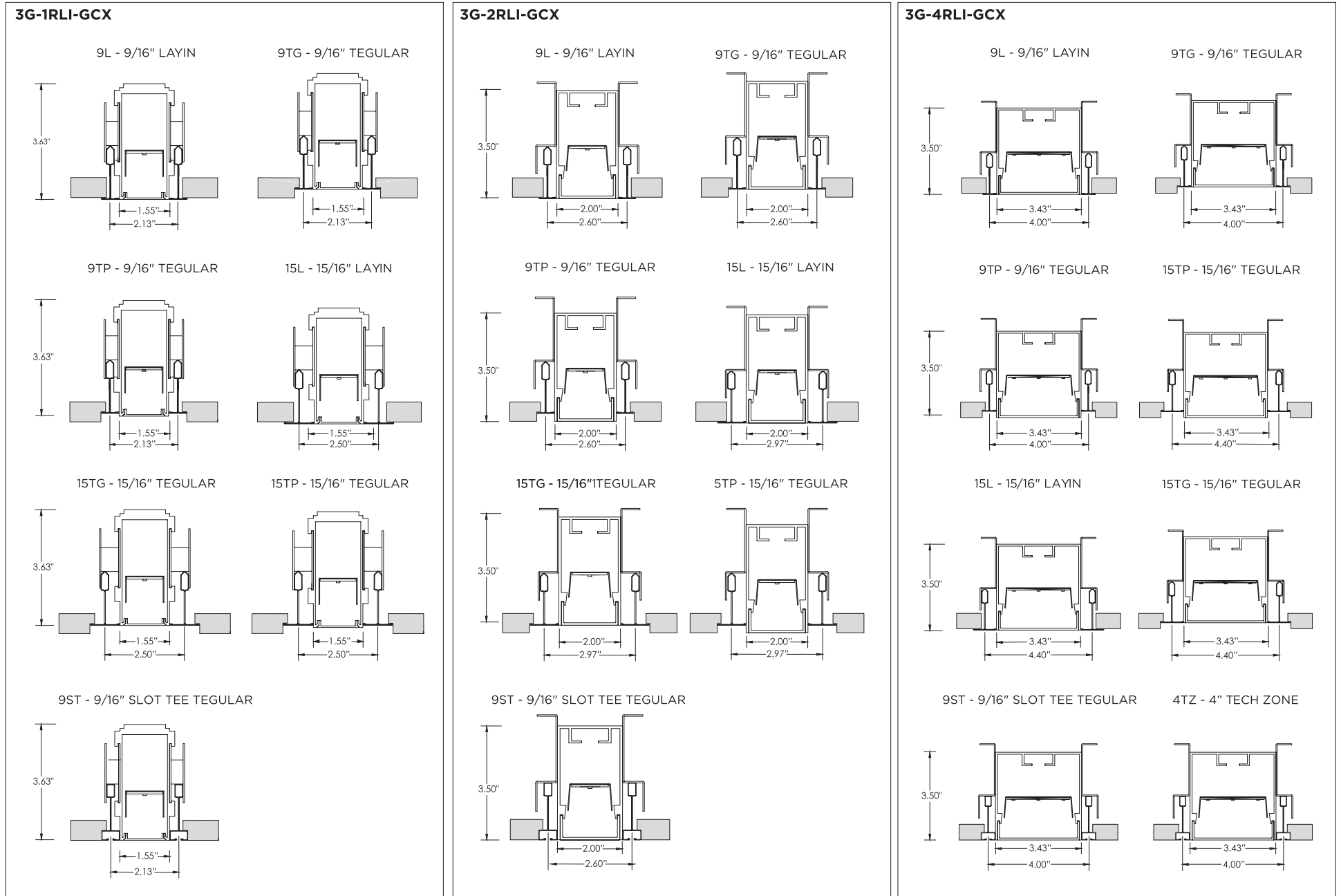
ROOM SIDE DISTRIBUTION



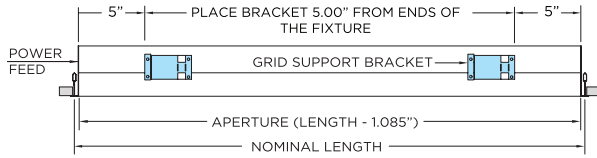
WALL GRAZING DISTRIBUTION



MOUNTING TYPES & T-BAR WIDTH

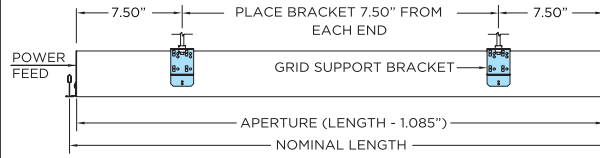


**3G-1RLI MOUNTING BRACKET LOCATION**



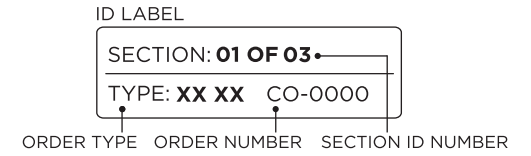
**i** APERTURE = (LENGTH - 1.085") APPLIED ONLY ON STARTER SECTION OR STANDALONE FIXTURE.

**3G-2RLI, 3G-4RLI MOUNTING BRACKET LOCATION**



**i** APERTURE = (LENGTH - 1.085") APPLIED ONLY ON STARTER SECTION OR STANDALONE FIXTURE.

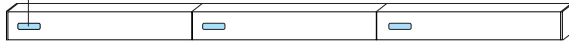
**IDENTIFICATION AND PREPARATION**



**i** IDENTIFY FIXTURE SECTIONS BY THE ID LABELS FOUND ON THE BOX INSIDE THE SECTIONS

**ID LABEL**

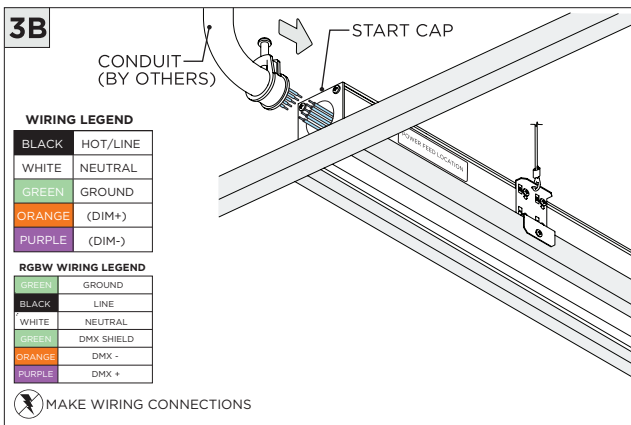
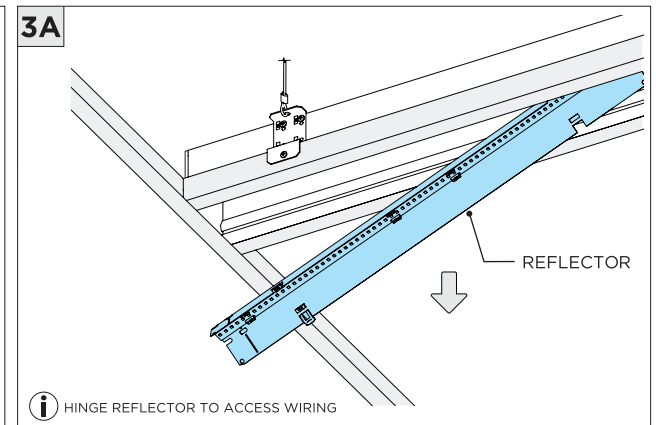
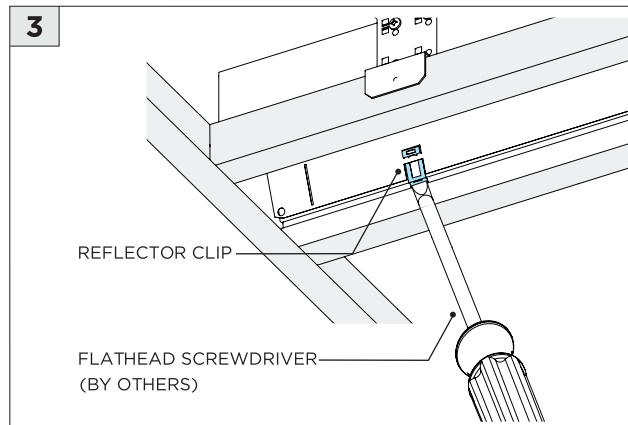
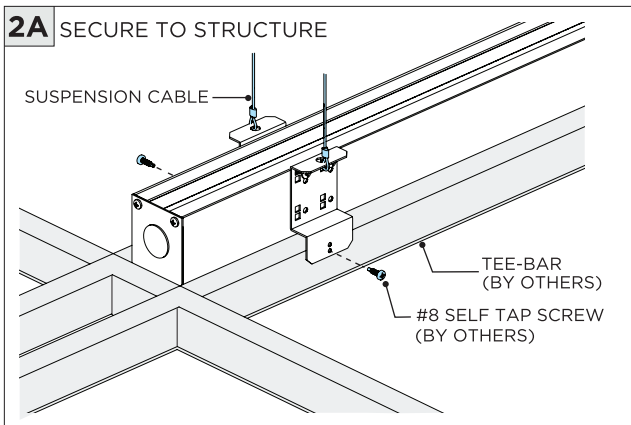
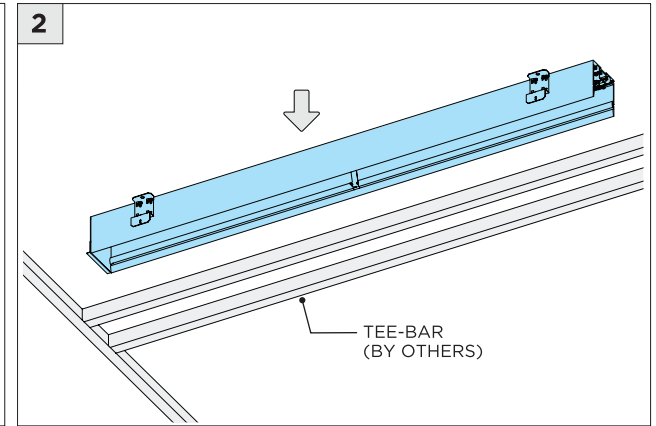
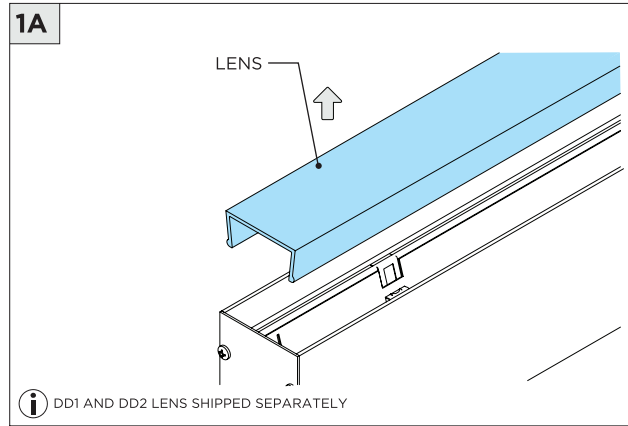
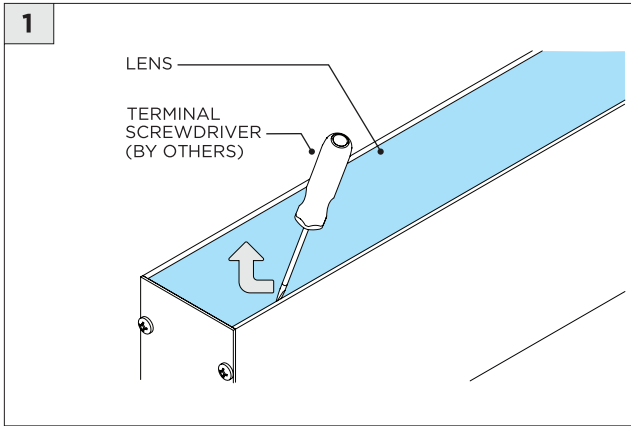
SECTION: **01 OF 03**  
TYPE: **XX XX** CO-0000

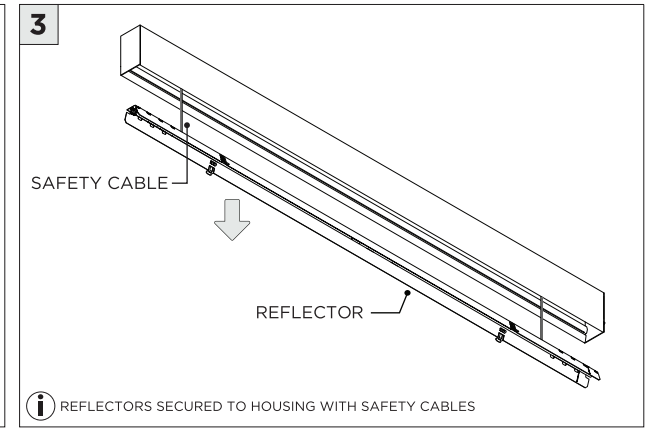
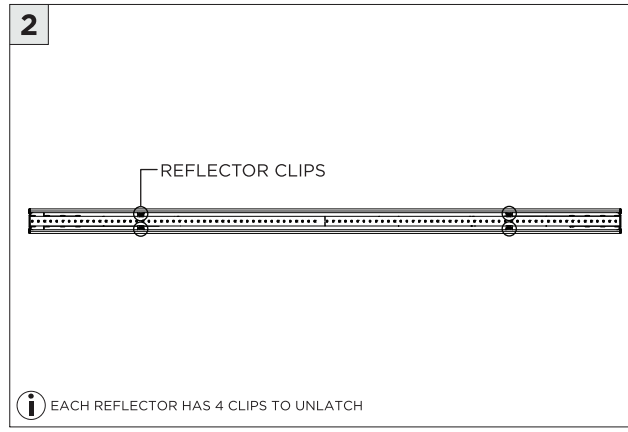
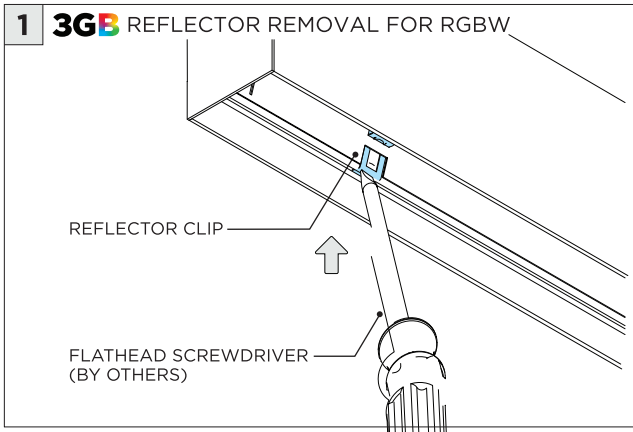


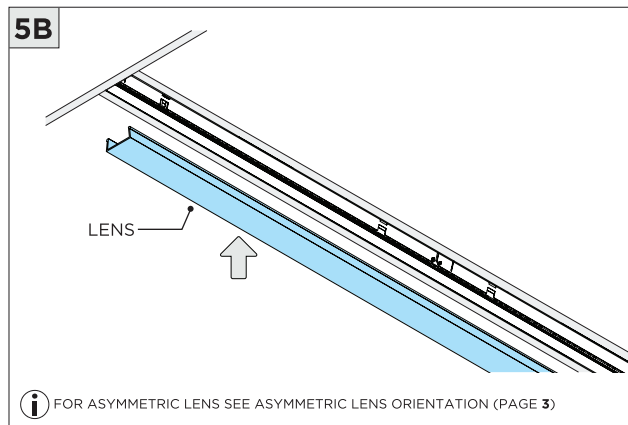
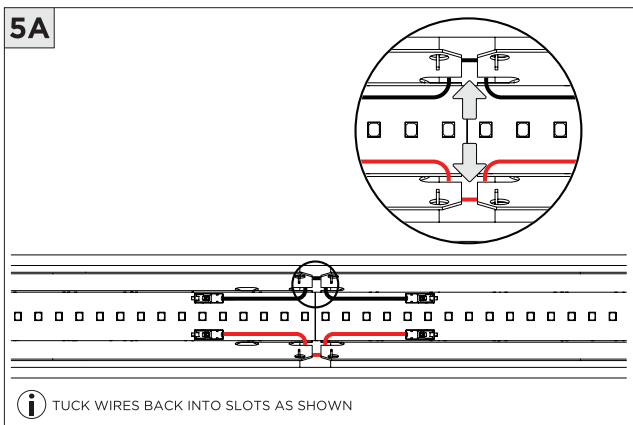
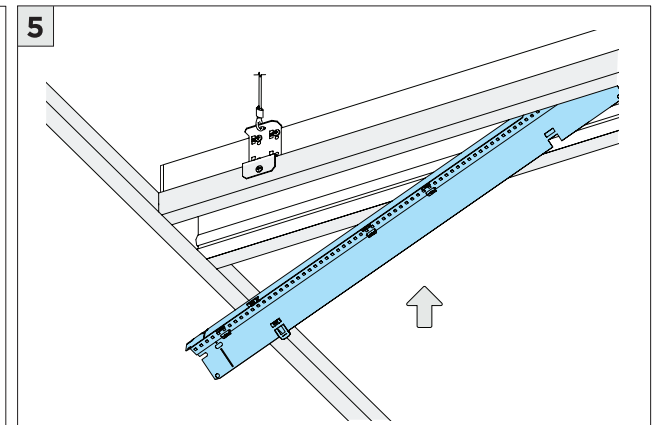
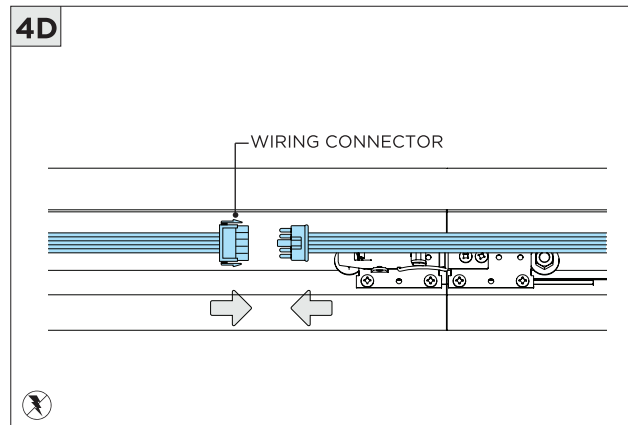
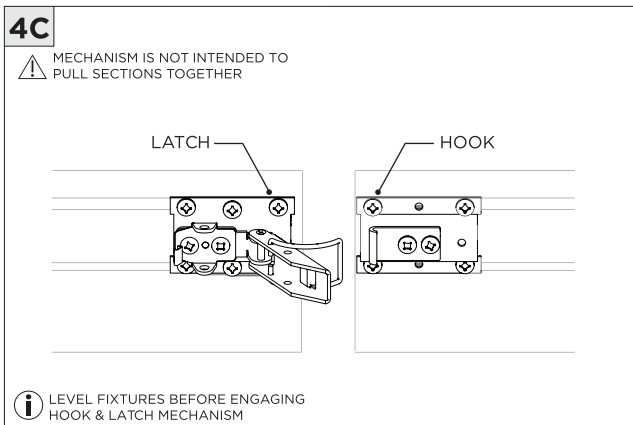
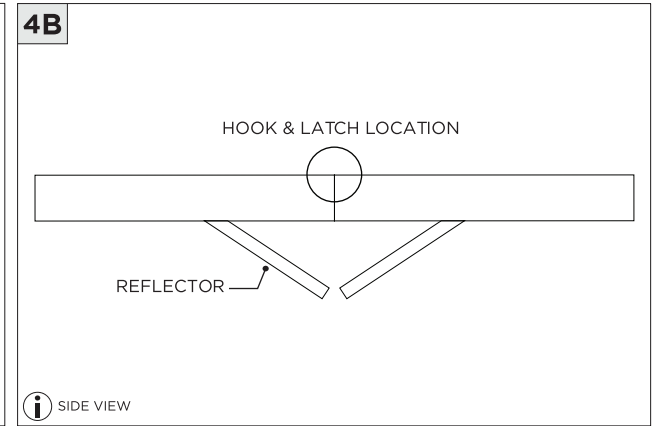
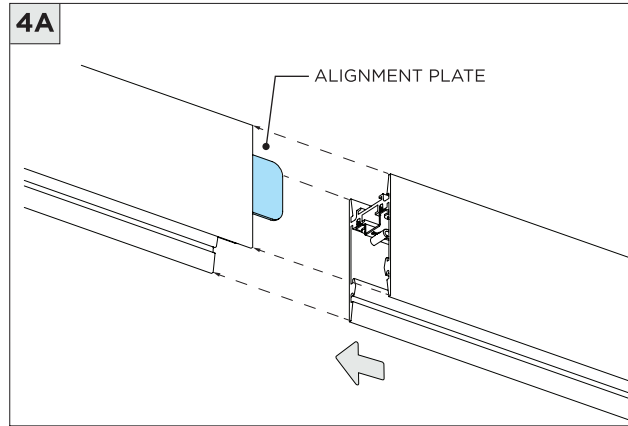
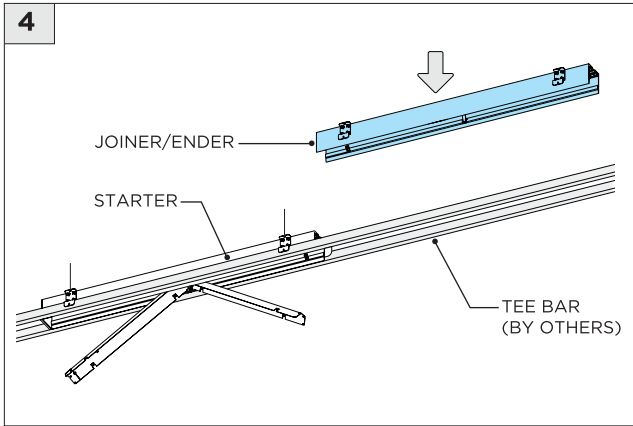
STARTER

JOINER

ENDER



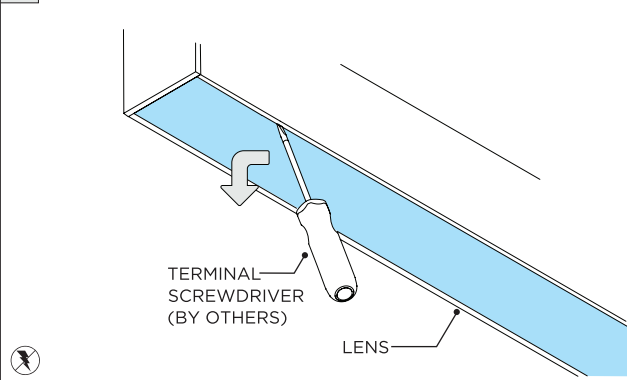




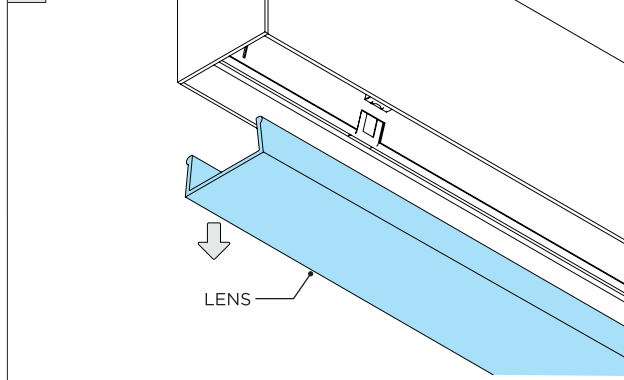


**DRIVER SERVICING**

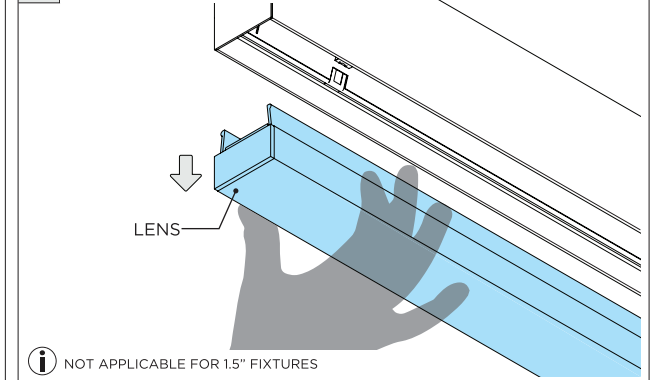
**1 FLUSH LENS REMOVAL**



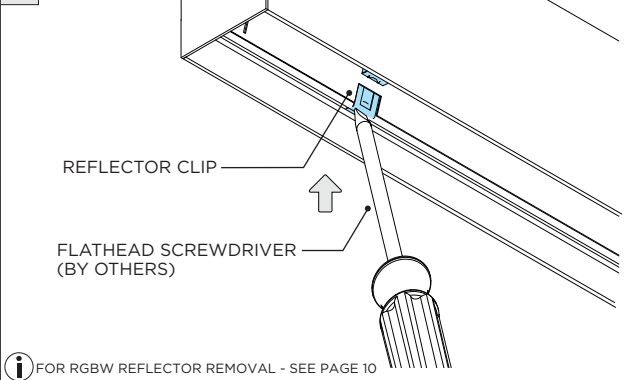
**2**



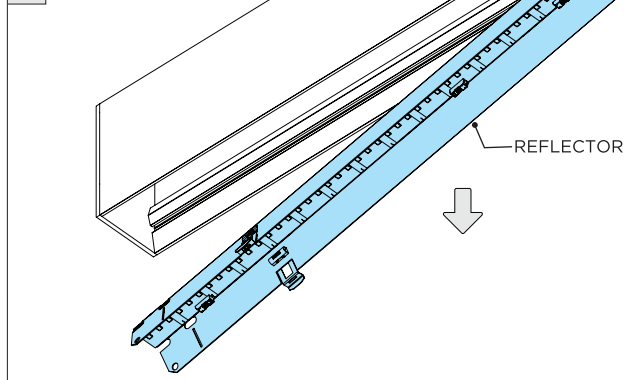
**2A DROP LENS REMOVAL**



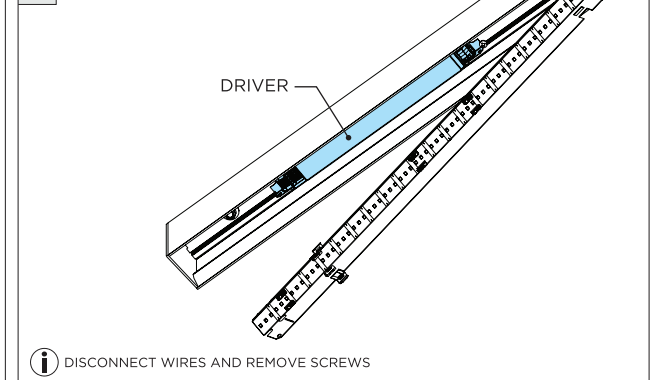
**3**



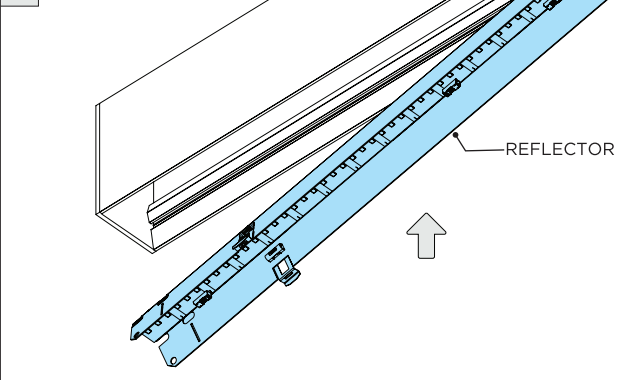
**4**



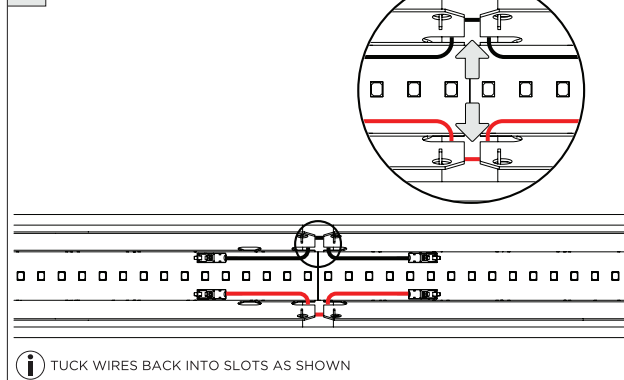
**5**



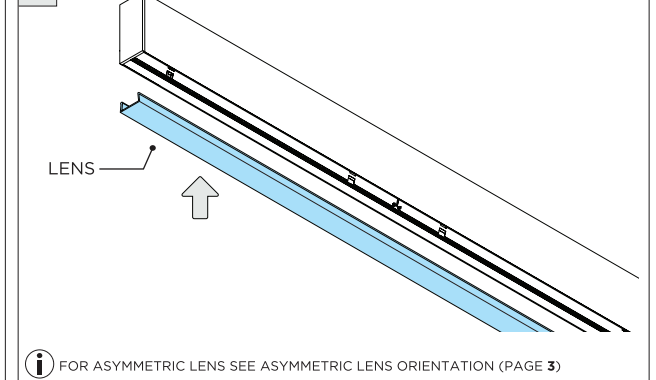
**6**



**7**

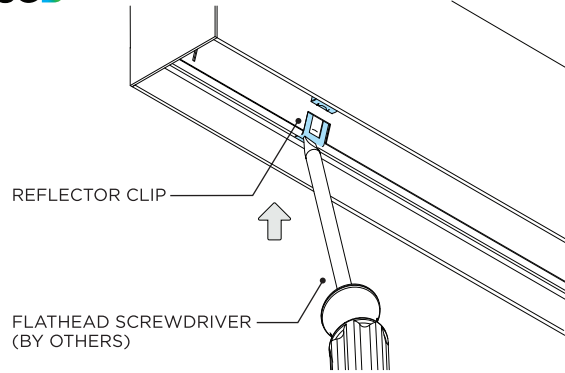


**8**

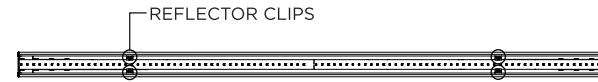


**DRIVER SERVICING**

**1 3GB REFLECTOR REMOVAL FOR RGBW**

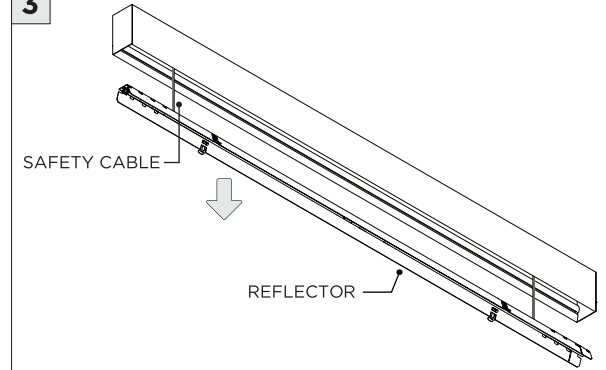


**2**



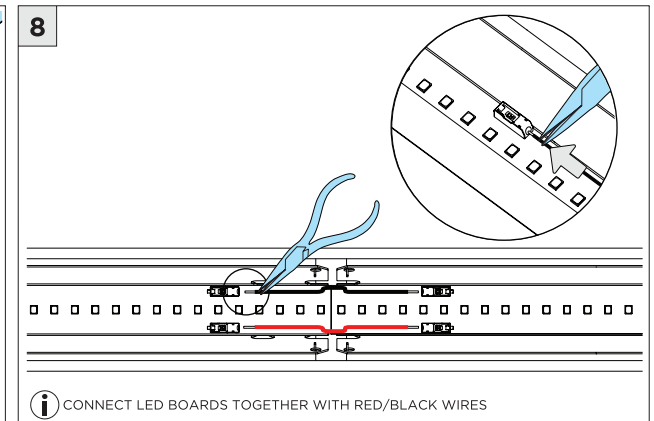
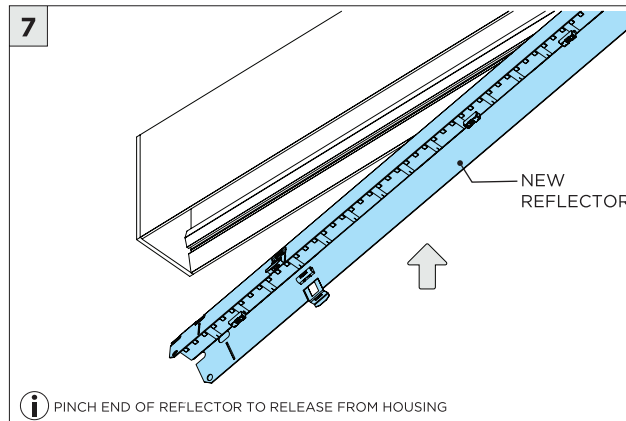
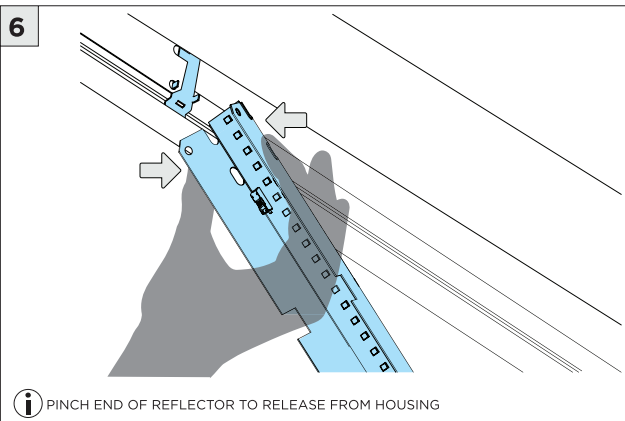
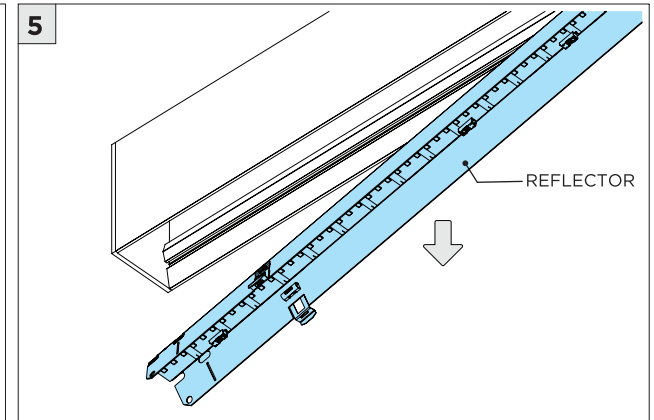
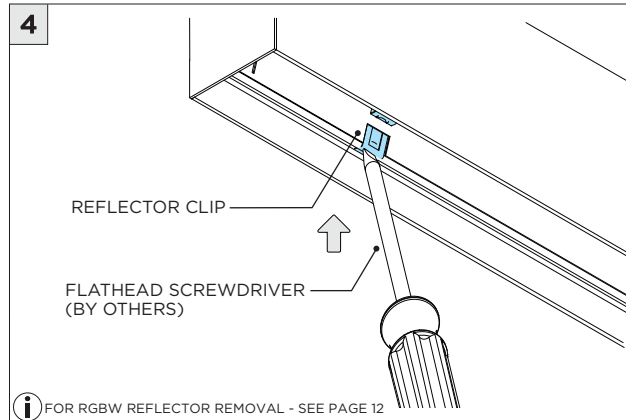
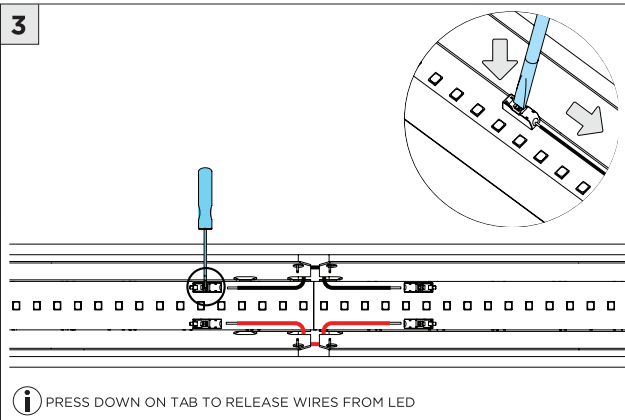
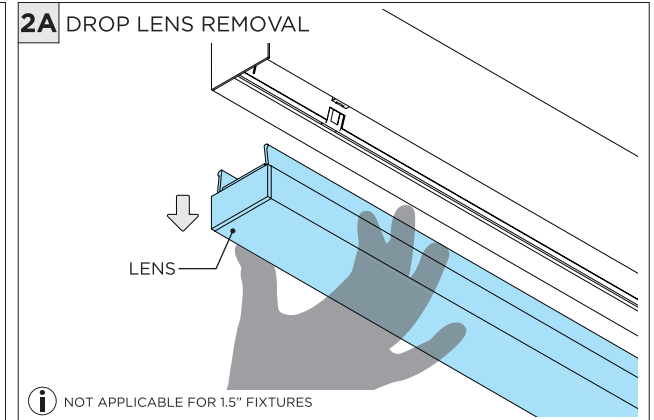
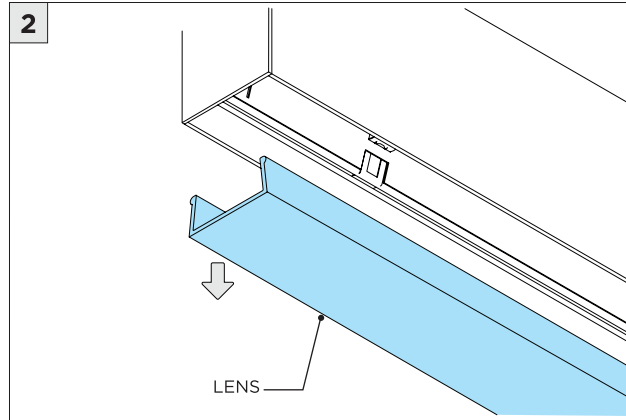
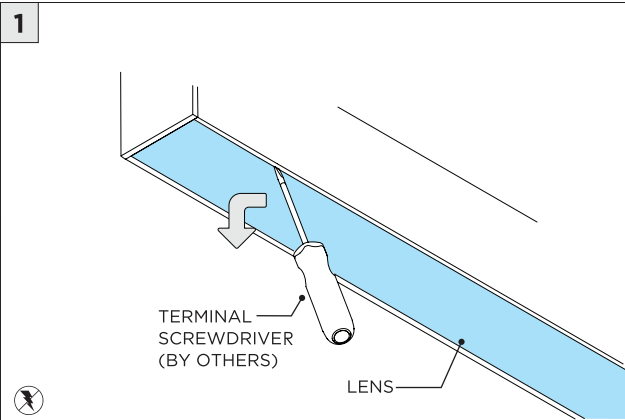
**i** EACH REFLECTOR HAS 4 CLIPS TO UNLATCH

**3**



**i** REFLECTORS SECURED TO HOUSING WITH SAFETY CABLES

**LED SERVICING**



**LED SERVICING**

