



3G-PKU24

24" KUBO
PENDANT MOUNTED



Featuring a white sandblasted acrylic diffuser with mitered corners
 Proprietary LED source fully saturates the hand fabricated acrylic
 Evenly illuminated sides with distinctive lines
 LED system with performance up to 121 lumens per watt
 1% dimming standard with several integral driver options

ORDERING INFORMATION

PROJECT:	<input type="text"/>	TYPE:	<input type="text"/>
CATALOG #:	<input type="text"/>	DATE:	<input type="text"/>

CAT. NO	LUMEN OUTPUT	CRI	COLOR TEMP	VOLTAGE	DRIVER
3G-PKU24	L15 - 1500 LUMENS	S80 - 80+ CRI	27K - 2700K	UNV - 120/277V 347 - 347V (0-10V ONLY)	DIM - 0-10V (STANDARD 100-1%) D01 - 0-10V (eidoLED, 100-0.1%) DALI - DALI (100-1%) ¹ DHL2 - LUTRON HI-LUME LDE1 (1% ECOSYSTEM)
	L30 - 3000 LUMENS		30K - 3000K		
	L45 - 4500 LUMENS		35K - 3500K		
	L60 - 6000 LUMENS		40K - 4000K		

FINISH	CABLE LENGTH	OPTIONS
WH - WHITE (STANDARD) BK - BLACK SV - SILVER	60 - 60" (STANDARD) 120 - 120"	EMB - INTERGAL EMERGENCY BATTERY EMC - EMERGENCY CIRCUIT

¹ DALI-2 (Type 6) provided as standard. Please consult factory for DALI (Type 8) options

OCTOBER 8, 2020





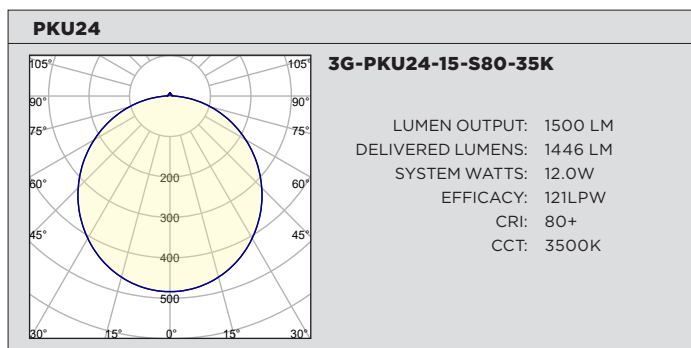
3G-PKU24

LIGHTING 24" KUBO - PEDANT MOUNTED

PERFORMANCE CHART (BASED ON 80+ CRI AND 3500K SOURCE)

LENS OPTION	DELIVERED LUMENS	SYSTEM WATTS	EFFICACY (LPW)
FLUSH	1500	12.0	121
	3000	25.1	116
	4500	40.2	110
	6000	58.4	102
LUMEN OUTPUT ADJUSTMENT FACTORS	CCT	Multiplier	
	2700K	0.94	
	3000K	0.97	
	3500K	1.00	
	4000K	1.01	

PHOTOMETRY





3G-PKU24

24" KUBO - PEDANT MOUNTED

TECHNICAL

HOUSING

White sandblasted acrylic diffuser with mitered corners
Fixture collar made from cold rolled steel with powder coated finish
24 gauge LED reflector with high reflectance white powder coated finish
Standard polyester powder coated matte white finish. Optional finishes available

ELECTRICAL

Standard 0-10V, constant current drivers with 100-1% dimming range and >0.9 power factor
Standard 120/277V universal voltage drivers. Optional 347V, 0-10V drivers
Lutron EcoSystem and eLdoLED DALI options available with 100-1% dimming range
All drivers are integral and easily accessible through luminaire aperture

LED SYSTEM

Proprietary LED system with color consistency <3 SDCM
Available in 27K, 30K, 35K, and 40K
Standard 80+CRI
L90 >60,000 hours
5 Year Warranty

MOUNTING

Adjustable aircraft cable suspension with locking fasteners (60" length standard)
Standard, 18-gauge, 5 conductor single circuit power feed (clear braided finish)
All mounting canopies provided in white finish as standard
Suitable for various architectural ceilings (see mounting details)

LISTING

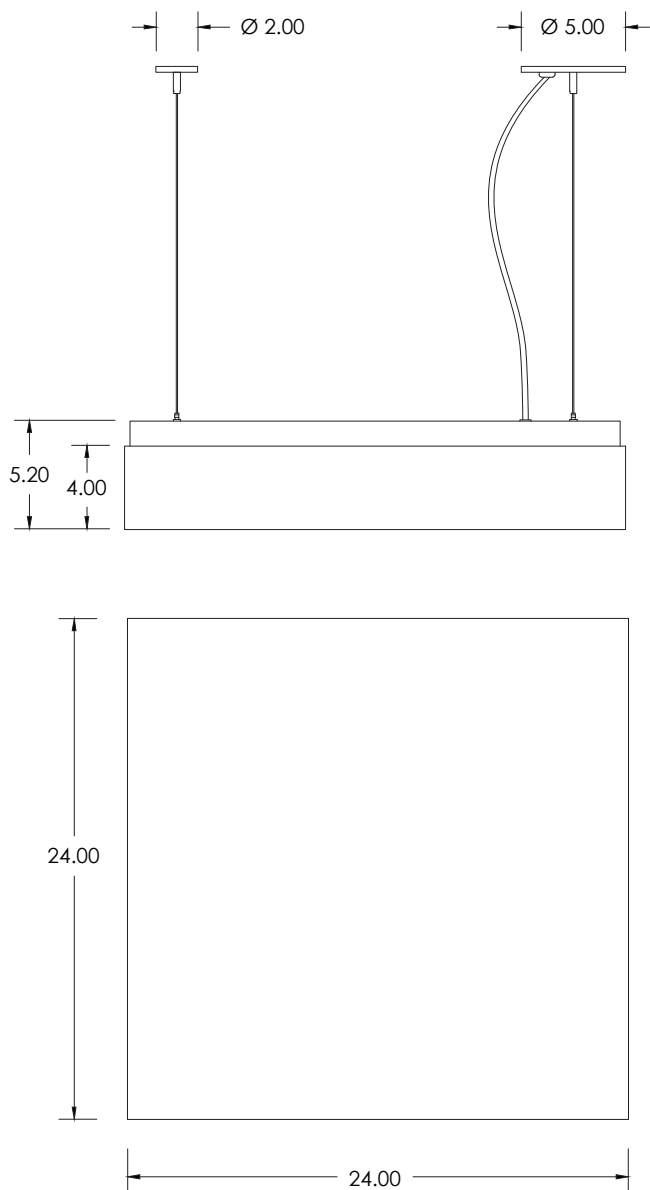
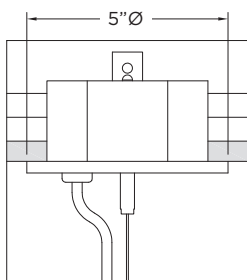
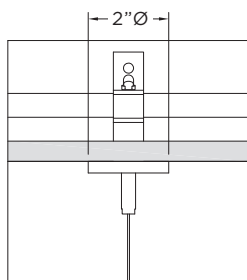
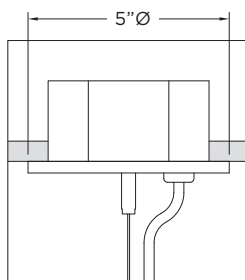
ETL listed and tested to cUL standards. Suitable for dry and damp locations

WARRANTY

5 Year Warranty on LED and drivers
Manufacturer 1 Year Warranty for defects in material and workmanship under normal use
Ambient temperature at fixture should not exceed 25°C

3G**3G-PKU24**

LIGHTING 24" KUBO - PEDANT MOUNTED

DRAWINGS AND DIMENSIONS**MOUNTING****GRID POWER FEED****GRID NON POWER FEED****DRYWALL POWER FEED****DRYWALL NON POWER FEED**