







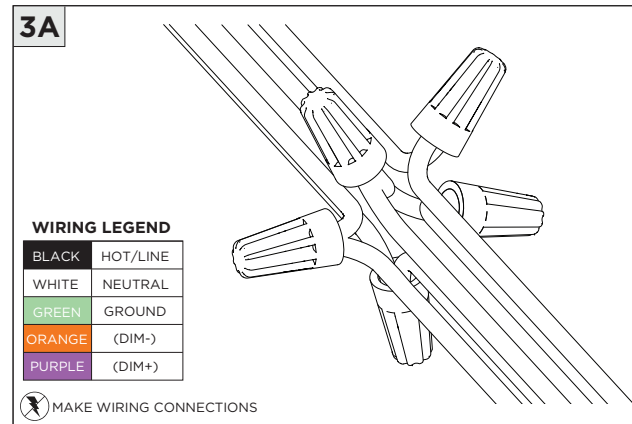
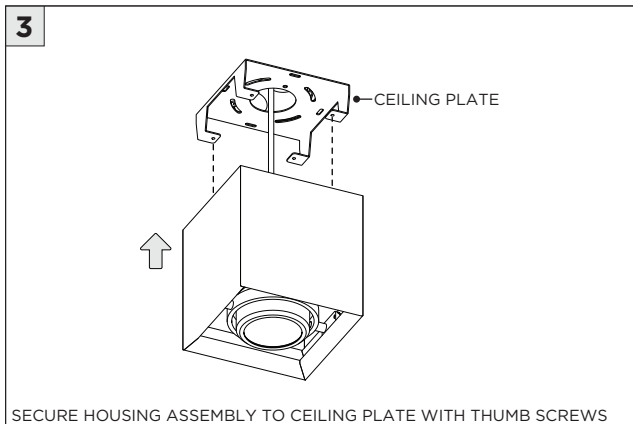
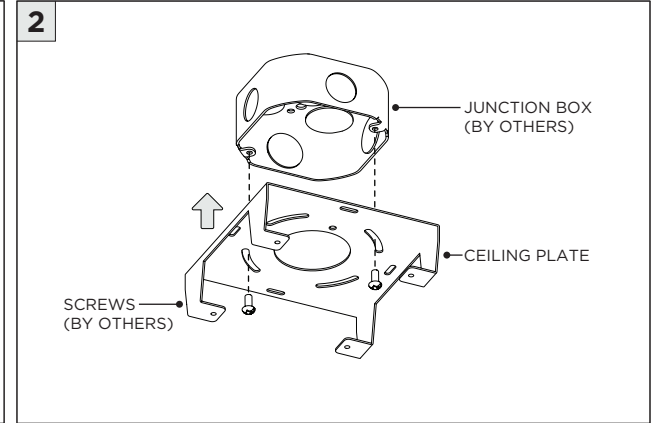
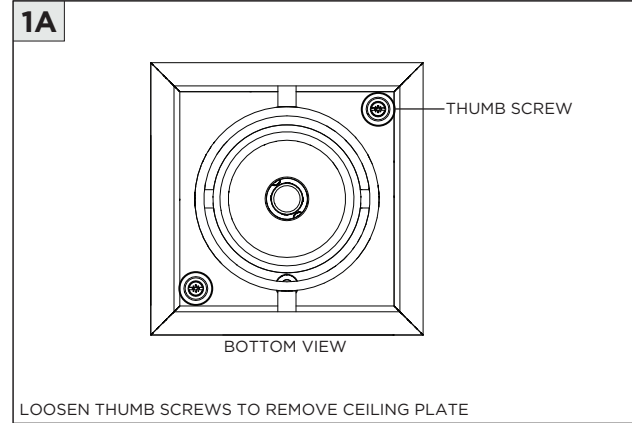
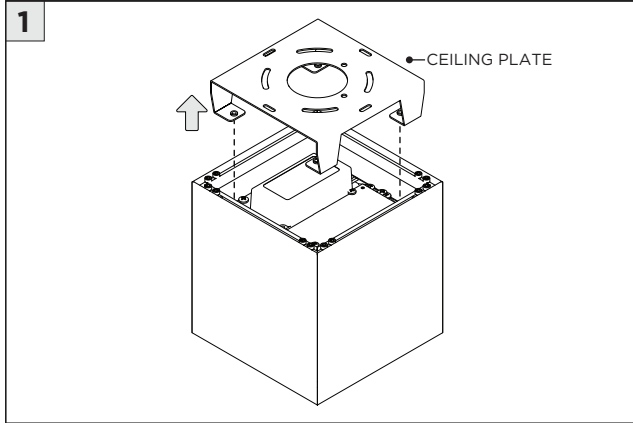
**3G-SM1, 3G-SM2, 3G-3M3,
3G-SM1M5, 3G-SM2M5, 3G-SM3M5**
1 LIGHT, 2 LIGHT, 3 LIGHT SURFACE MADISON



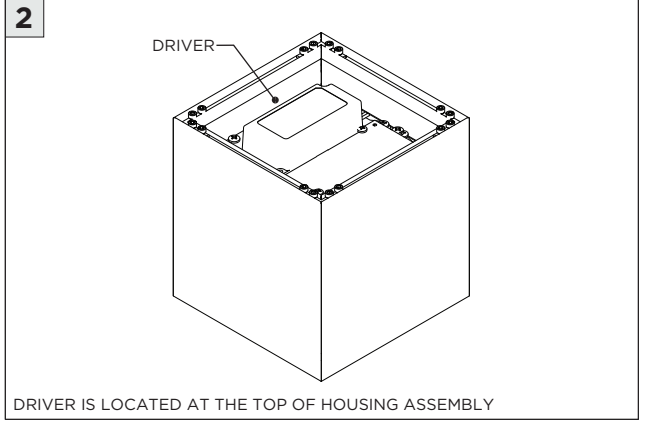
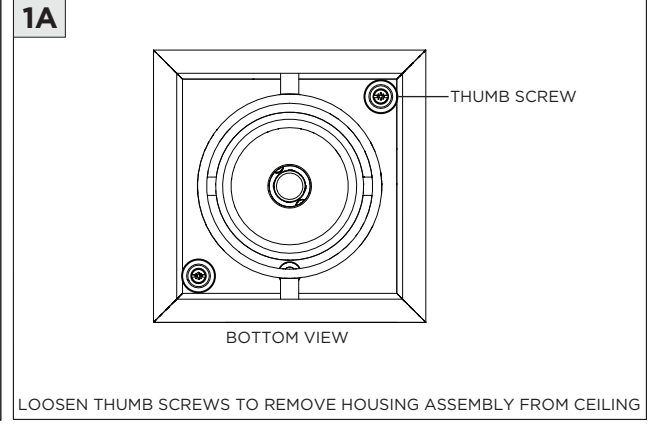
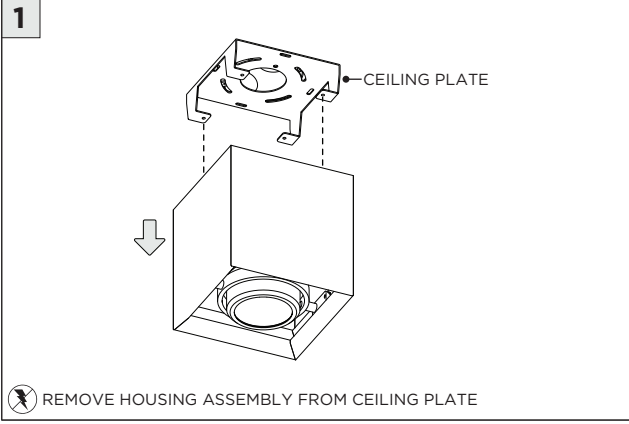
i THE IMAGES SHOWN ARE FOR ILLUSTRATION PURPOSES ONLY AND MAY NOT BE AN EXACT REPRESENTATION OF THE PRODUCT

INCLUDED COMPONENTS	
 <p>HOUSING (RC1 SHOWN)</p>  <p>CEILING PLATE (RC1 SHOWN)</p>	

INSTRUCTION KEY	INFORMATION
 ADDITIONAL	INSTALLATION SHOULD ONLY BE PERFORMED BY A CERTIFIED ELECTRICIAN
 ATTENTION	REFER TO LOCAL/NATIONAL CODES FOR PROPER INSTALLATION
 POWER ON	FAILURE TO FOLLOW INSTALLATION INSTRUCTION MAY VOID THE WARRANTY
 POWER OFF	DO NOT TOUCH LEDS. LEDS MUST BE PROTECTED FROM MECHANICAL STRESS OR DEBRIS
	TURN OFF POWER DURING INSTALLATION OR SERVICING



DRIVER SERVICING



LED SERVICING

