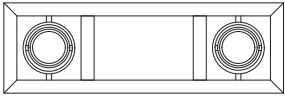
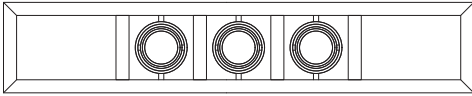
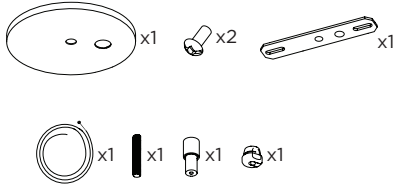
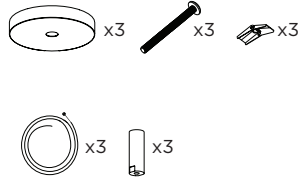
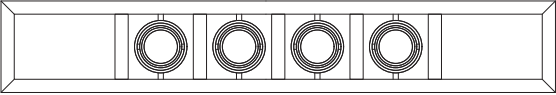
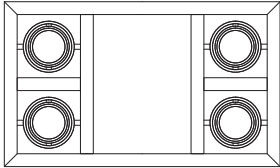


## 3G-PIN2, 3G-PIN3, 3G-PIN4, 3G-PIN4SQ

2 LIGHT, 3 LIGHT, 4 LIGHT MADISON INFORMA PENDANT



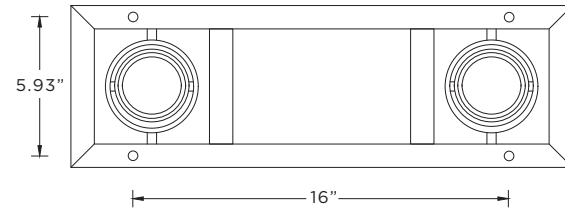
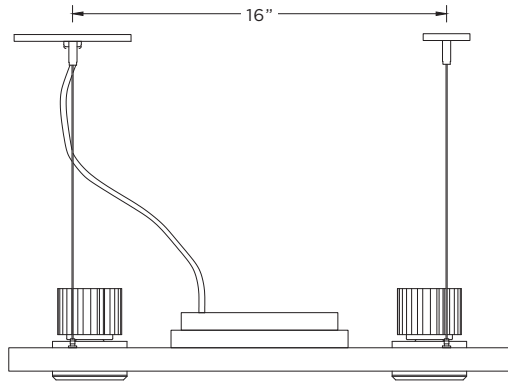
**i** THE IMAGES SHOWN ARE FOR ILLUSTRATION PURPOSES ONLY AND MAY NOT BE AN EXACT REPRESENTATION OF THE PRODUCT

HOUSING	INCLUDED COMPONENTS	
<div style="display: flex; justify-content: space-around;"> <div style="text-align: center;"> <p>3G-PIN2</p>  </div> <div style="text-align: center;"> <p>3G-PIN3</p>  </div> </div>	<p><b>POWER FEED KIT</b></p> 	<p><b>NON-POWER FEED KIT</b></p> 
<div style="display: flex; justify-content: space-around;"> <div style="text-align: center;"> <p>3G-PIN4</p>  </div> <div style="text-align: center;"> <p>3G-PIN4SQ</p>  </div> </div>		

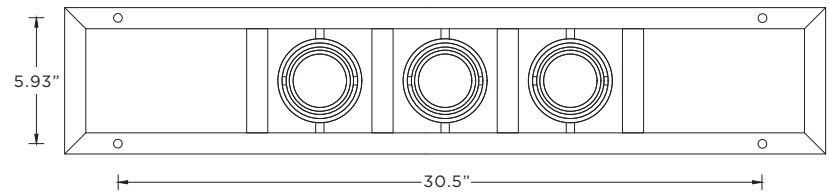
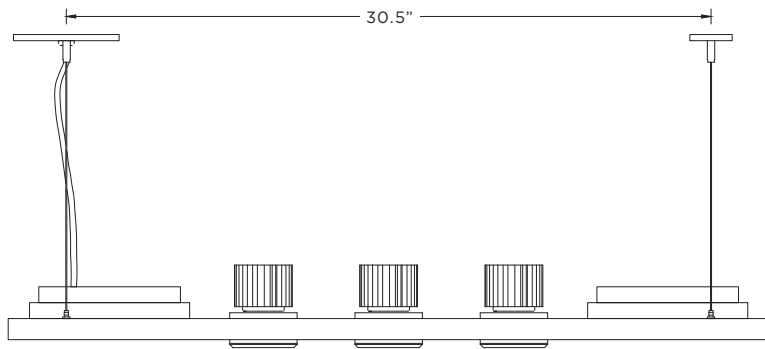
INSTRUCTION KEY	INFORMATION
⚠	ADDITIONAL INSTALLATION SHOULD ONLY BE PERFORMED BY A CERTIFIED ELECTRICIAN
i	ATTENTION REFER TO LOCAL/NATIONAL CODES FOR PROPER INSTALLATION
⚡	POWER ON FAILURE TO FOLLOW INSTALLATION INSTRUCTION MAY VOID THE WARRANTY
⚡	POWER OFF DO NOT TOUCH LEDS. LEDS MUST BE PROTECTED FROM MECHANICAL STRESS OR DEBRIS TURN OFF POWER DURING INSTALLATION OR SERVICING

**SUSPENSION MOUNTING**

**3G-PIN1**

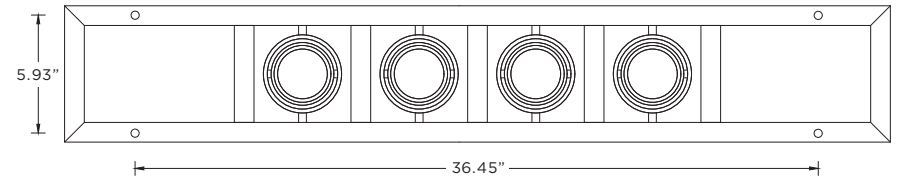
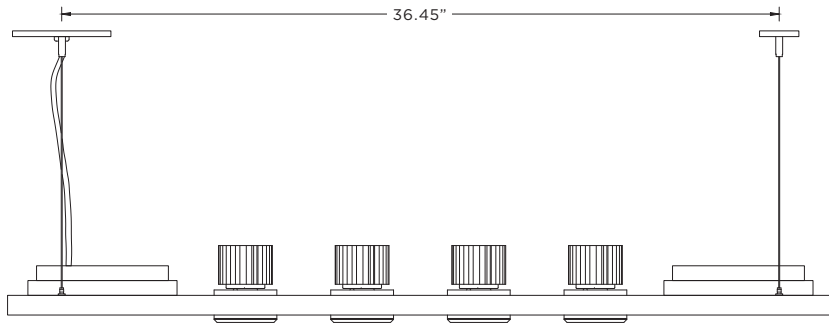


**3G-PIN2**

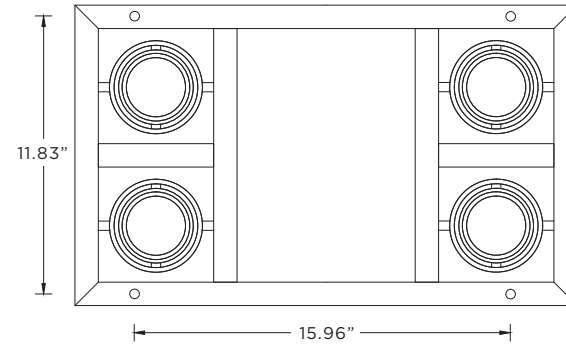
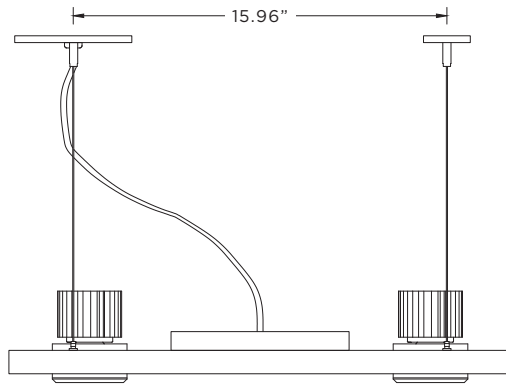


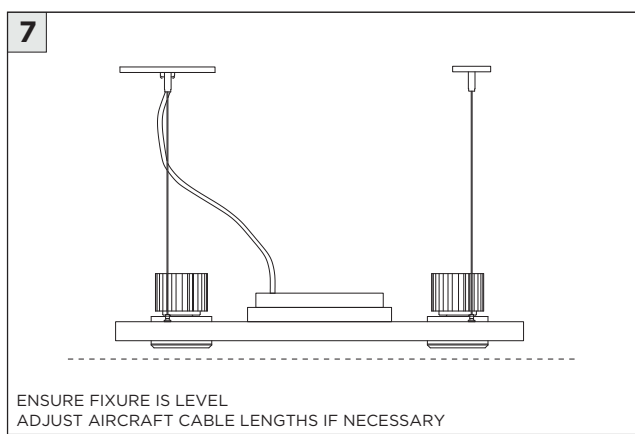
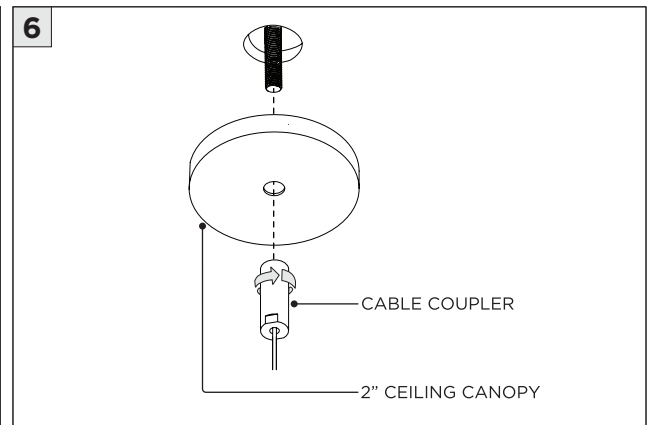
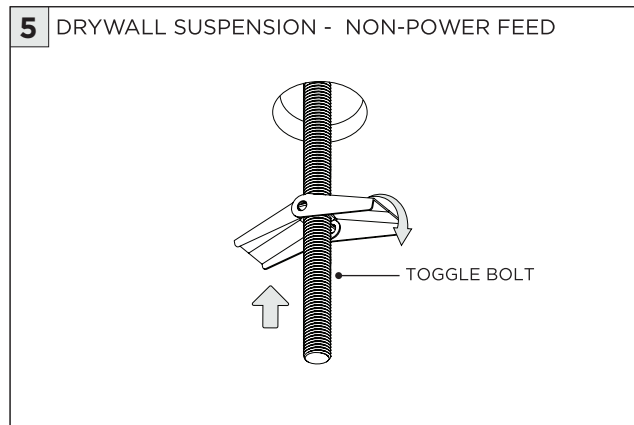
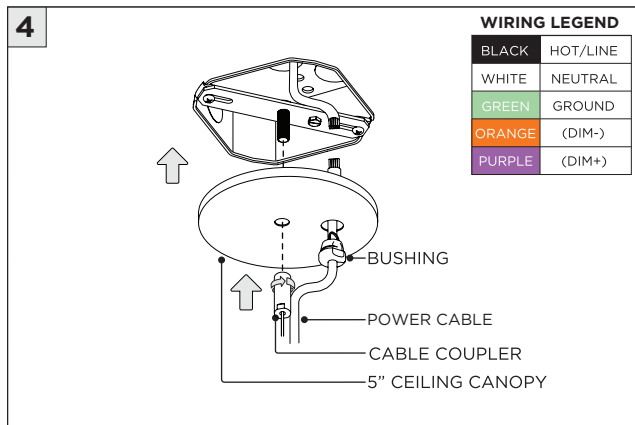
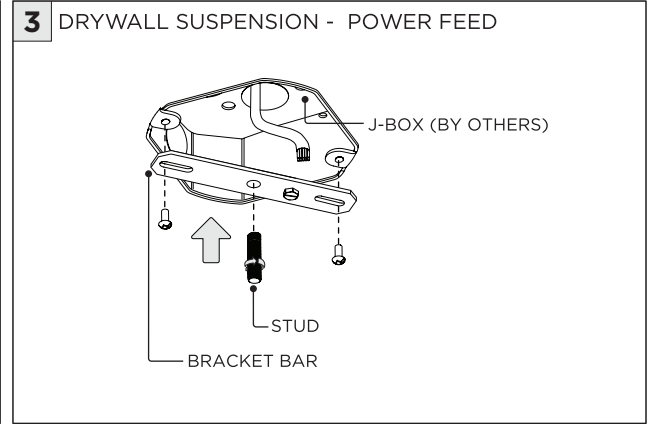
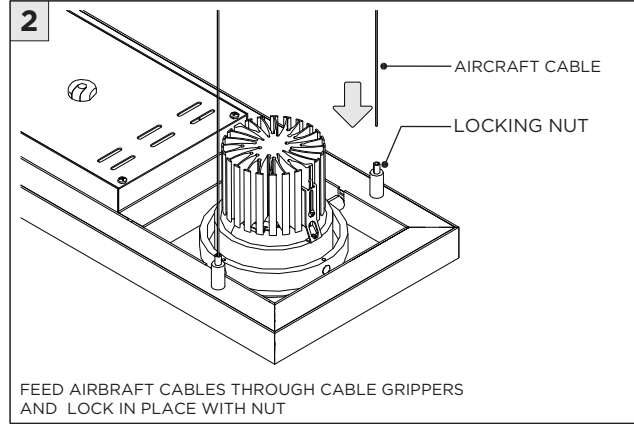
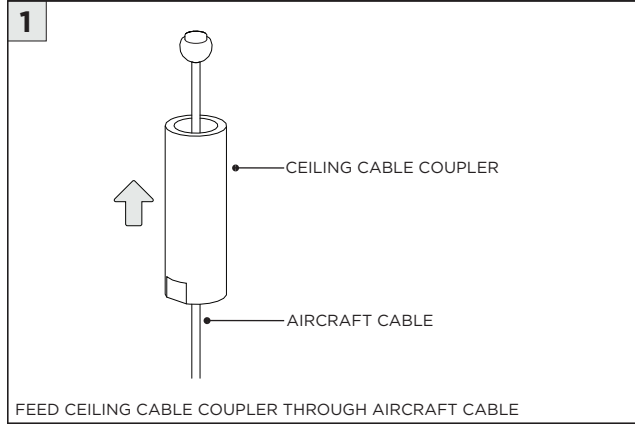
**SUSPENSION MOUNTING**

**3G-PIN4**

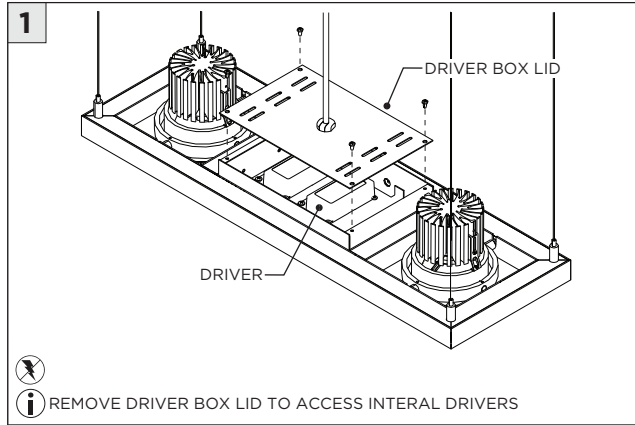


**3G-PINSQ**





**DRIVER SERVICING**



**LED SERVICING**

