



3G-SRU24

24" SURFACE RUBO



Featuring a white sandblasted acrylic diffuser
 Proprietary LED source fully saturates the hand fabricated acrylic
 Evenly illuminated sides with distinctive lines
 Standard and high lumen output options
 Suitable for ceiling or wall applications
 1% dimming standard with several driver options

PROJECT:		TYPE:	
CATALOG#:		DATE:	QTY:

CAT. NO	LUMEN OUTPUT	CRI	COLOR TEMP	VOLTAGE
3G-SRU24	L15 - 1500 LUMENS L30 - 3000 LUMENS L45 - 4500 LUMENS L60 - 6000 LUMENS	S80 - 80+ CRI	30K - 3000K 35K - 3500K 40K - 4000K	UNV - 120/277V 347 - 347V ¹

DRIVER	FINISH	OPTIONS
DIM - 0-10V (100-1%) DO1 - 0-10V (100-0.1%) DALI - DALI (100-1%) ² DHL2 - LUTRON HI-LUME (1% ECOSYSTEM)	WT - WHITE (STANDARD) BK - BLACK SV - SILVER	EMB - EMERGENCY BATTERY (INTEGRAL) EMC - EMERGENCY CIRCUIT

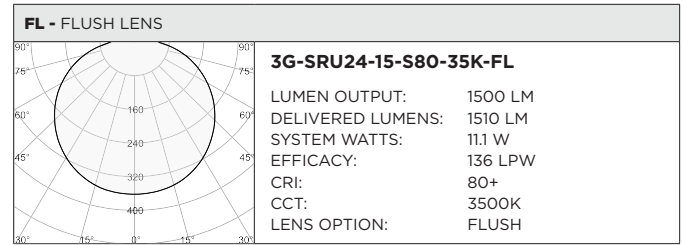
¹ 347 available in "DIM" 0-10V only (100-1%)

² DALI-2 (Type 6) provided as standard. Please consult factory for DALI (Type 8) options

BASED ON 80+ CRI AND 3500K SOURCE

LENS OPTION	DELIVERED LUMENS	SYSTEM WATTS	EFFICACY (LPW)
FLUSH	1500	11.1	136
	3000	22.4	131
	4500	36.0	124
	6000	52.0	115

LUMEN OUTPUT MULTIPLIER: 30K=0.97, 35K=1.00, 40K=1.01



HOUSING

White, fabricated sandblasted acrylic diffuser with distinctive lines
 Fixture collar made from spun aluminum with powder coated finish
 Reflector fabricated in steel with high reflectance white powder coated finish
 Twist and lock construction with no visible hardware
 Standard polyester powder coated matte white finish. Optional matte silver finish

LISTING

ETL listed and conforms to UL1598 standard. Certified to CSA22.2 NO.250.0. Rated for indoor dry or damp locations

WARRANTY

5 Year Warranty on LED and drivers
 Manufacturer 1 Year Warranty for defects in material and workmanship under normal use
 Ambient temperature at fixture should not exceed 25°C

ELECTRICAL

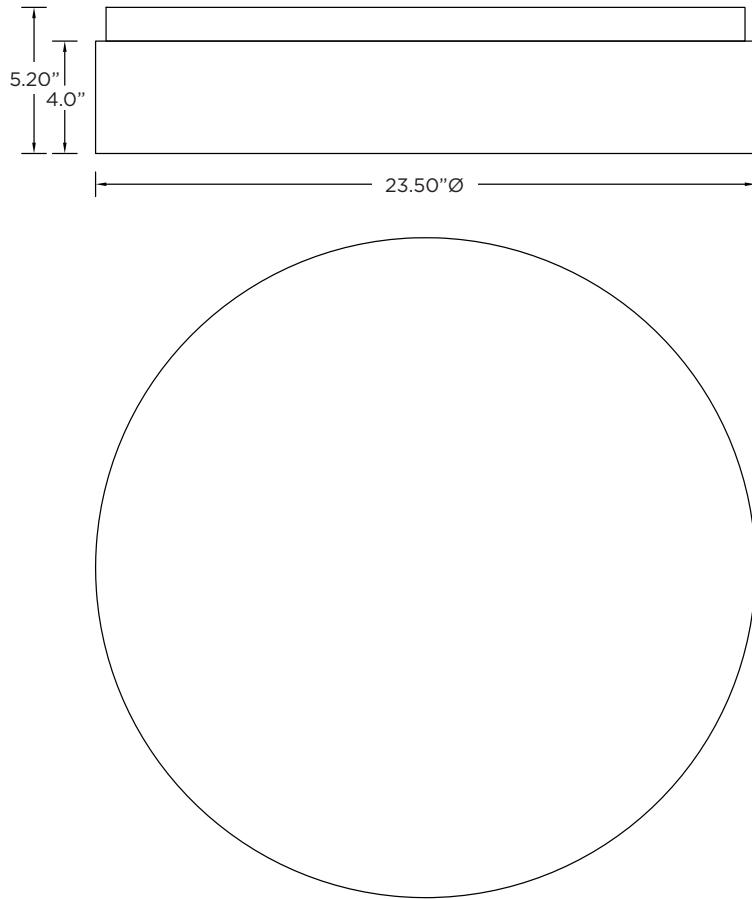
Luminaires are pre-wired with factory installed quick connects and branch circuit wiring
 Standard 0-10V, constant current drivers with 100-1% dimming range and >0.9 power factor
 Standard 120/277V universal voltage drivers. Optional 347V, 0-10V drivers
 Lutron EcoSystem and eldoLED DALI options available with 100-1% dimming range
 All drivers are integral and easily accessible through luminaire aperture
 Integral emergency battery. 10W output for 90 minutes

LED SYSTEM

Proprietary LED system with color consistency <3 SDCM
 Available in 30K, 35K, and 40K
 Standard 80+CRI
 L90 >60,000 hours
 5 Year Warranty

MOUNTING

Suitable for various ceiling applications (see mounting details)
 Twist and lock mounting system with no visible hardware



MOUNTING

