



3G-SVLI

V-LINIA
SURFACE MOUNTED



Extruded aluminum housing with cast aluminum end caps
V-shaped acrylic lens is fully saturated with proprietary LED system
Individual or continuous runs available in 1' increments
Suitable for wall-ceiling and wall-corner applications
Low, standard, and high lumen output options available
1% dimming standard with several driver options

ORDERING INFORMATION

PROJECT:	<input type="text"/>	TYPE:	<input type="text"/>
CATALOG #:	<input type="text"/>	DATE:	<input type="text"/>

CAT. NO	LED SYSTEM	CRI	COLOR TEMP	VOLTAGE	DRIVER
3G-SVLI	L250 - LOW OUTPUT (250LM/FT)	S80 - 83+ CRI (STANDARD)	27K - 2700K	UNV - 120/277V 347 - 347V (0-10V ONLY)	DIM - 0-10V (STANDARD 100-1%)
	L500 - MEDIUM OUTPUT (500LM/FT)		30K - 3000K		DHL2 - LUTRON HI-LUME LDE (100-1% ECOSYSTEM)
	L750 - HIGH OUTPUT (750LM/FT)	H90 - 93+ CRI	35K - 3500K	DALI - DALI (100-0%)	
	L1000 - VERY HIGH OUTPUT (1000LM/FT)		40K - 4000K	D01 - 0-10V (100-0.1%)	

FINISH	MOUNTING	OPTIONS	LENGTH (FEET)
WH - WHITE (STANDARD) BK - BLACK SV - SILVER	C - CEILING WD - WALL DIRECT WI - WALL INDIRECT CTW - CEILING TO WALL	EM - INTEGRAL EMERGENCY BATTERY (4' SECTION)	S-2' - 2' S-3' - 3' S-4' - 4' S-5' - 5' S-6' - 6' S-8' - 8' S- ____' (STRAIGHT RUN)
			<small>* For continuous runs (9' and up), specify length in feet in 1' increments Fixture sections are connected on site using 3G's joiner plate kit</small>

PERFORMANCE CHART Based on 4' length (83+ CRI and 3500K)

LENS OPTION	DELIVERED LUMENS (PER FOOT)	SYSTEM WATTS	EFFICACY (LM/W)
FLUSH	250	8.3	119
	500	16.7	121
	750	25.2	120
	1000	34.0	118
LUMEN OUTPUT ADJUSTMENT FACTORS		CCT	Multiplier
		2700K	0.94
		3000K	0.97
		3500K	1.00
EFFICACY (LPW) ADJUSTMENT FACTOR		CRI	Multiplier
		93+	0.88

EDITION 08/19



TECHNICAL**HOUSING**

Extruded aluminum housing with cast aluminum end caps
Individual units and continuous runs available in 1' increments
24 gauge LED reflector with high reflectance white powder coated finish
Extruded acrylic lens with a satin finish designed for optimal performance and glare control
Standard polyester powder coated matte white finish. Optional finishes available

ELECTRICAL

Standard 0-10V, 100-1% dimming and 0.9 power factor
Standard 120/277V universal voltage drivers. Optional 347V 0-10V driver
Lutron EcoSystem and eldoLED Dali options available with 100-1% dimming
Integral Emergency Battery option: 90 minutes

LED SYSTEM

Proprietary LED system
Color consistency <3 SDCM
Standard (83+ CRI). Optional (93+ CRI)
Available in 27K, 30K, 35K, and 40K
Average rated life of >50,000 hours
5-year warranty

MOUNTING

Suitable for surface and wall corner applications along with direct and indirect mounting options
Suitable for drywall and wood ceilings (see mounting details)
Suitable for various grid ceilings applications (see mounting details)

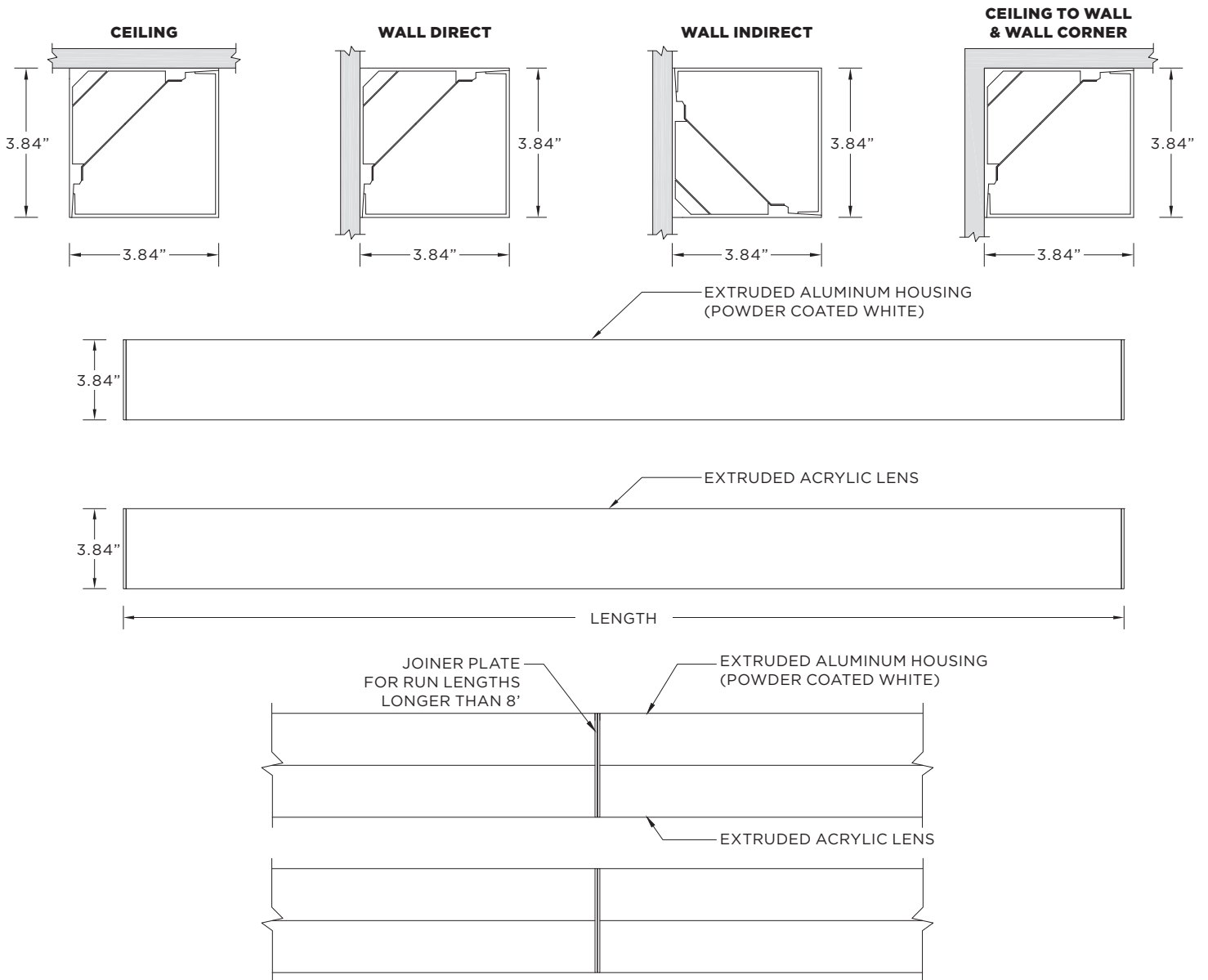
LISTING

ETL listed and tested to UL standards. Suitable for dry and damp locations

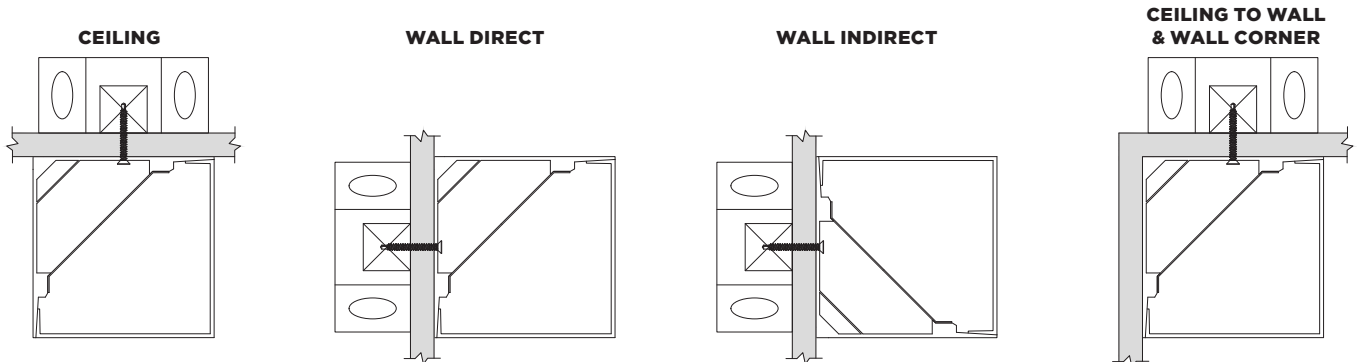
WARRANTY

5 Year warranty on LED and drivers
Manufacturer 1-year warranty for defects in material and workmanship under normal use
Ambient temperature at fixture should not exceed 25°C

DRAWINGS AND DIMENSIONS



MOUNTING



NOTE: JUNCTION BOX, BLOCKING SUPPORT AND SCREWS BY OTHERS