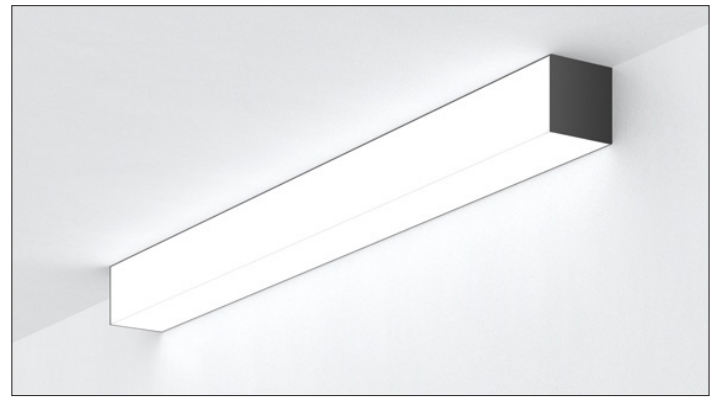




3G-SVLI

V-LINIA
SURFACE MOUNTED



Extruded aluminum housing with cast aluminum end caps
V-shaped acrylic lens is fully saturated with proprietary LED system
Individual fixtures or continuous runs available in 1' increments
Direct distribution with multiple lumen output options
LED system with performance up to 121 lumens per watt
1% dimming standard with several integral driver options

ORDERING INFORMATION

PROJECT:	<input type="text"/>	TYPE:	<input type="text"/>
CATALOG #:	<input type="text"/>	DATE:	<input type="text"/>

CAT. NO	LUMEN OUTPUT	CRI	COLOR TEMP	VOLTAGE
3G-SVLI	L250 - LOW OUTPUT (250 LM/FT) ¹	S80 - 83+ CRI	27K - 2700K	UNV - 120/277V 347 - 347V (0-10V ONLY)
	L500 - MEDIUM OUTPUT (500 LM/FT)	H90 - 93+ CRI	30K - 3000K	
	L750 - HIGH OUTPUT (750 LM/FT)		35K - 3500K	
	L1000 - VERY HIGH OUTPUT (1000 LM/FT) ²		40K - 4000K	
	LC____ - CUSTOM OUTPUT (SPECIFY LM/FT)			
*Specific custom lumen outputs in 50lm increments (ie: LC600, LC650, LC700) Custom output cannot exceed LC1000 Lumen outputs suitable for white LED source only				

DRIVER	FINISH	MOUNTING	OPTIONS
DIM - 0-10V (STANDARD 100-1%)	WH - WHITE (STANDARD)	C - CEILING	EM - INTEGRAL EMERGENCY BATTERY (4' SECTION) EMC - EMERGENCY CIRCUIT
DHL2 - LUTRON HI-LUME LDE1 (100-1% ECOSYSTEM)	SV - SILVER	WD - WALL DIRECT	
DALI - DALI (eIdoLED, 100-1%) ³	BK - BLACK	WI - WALL INDIRECT	
DO1 - 0-10V (eIdoLED, 100-0.1%)		CTW - CEILING TO WALL	

LENGTH (FEET)
S-2' - 2'
S-3' - 3'
S-4' - 4'
S-5' - 5'
S-6' - 6'
S-8' - 8'
S- ____' (STRAIGHT RUN)*
* For continuous runs (9' and up), specify length in feet in 1' increments Fixture sections are connected on site using 3G's joiner plate kit

¹ L250 (250LM/FT) not available in 2' and 3' lengths. Specify LC400 for 2' and 3' fixture lengths when outputs lower than 500LM/FT are required
² L1000 (1000LM/FT) not available with H90 (93+ CRI)
³ DALI-2 (Type 6) provided as standard. Please consult factory for DALI (Type 8) options

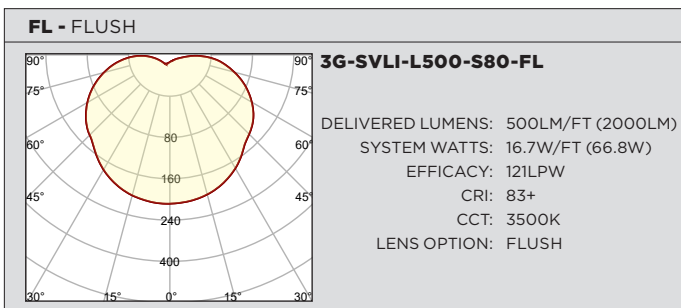
JUNE 18, 2021



PERFORMANCE CHART BASED ON 4' LENGTH (83+ CRI AND 3500K SOURCE)

LENS OPTION	DELIVERED LUMENS (LM/F)	SYSTEM WATTS (W/FT)	EFFICACY (LPW)
FLUSH	250	8.3	119
	500	16.7	121
	750	25.2	120
	1000	34.0	118
LUMEN OUTPUT ADJUSTMENT FACTORS	CCT	Multiplier	
	2700K	0.94	
	3000K	0.97	
	3500K	1.00	
EFFICACY (LPW) ADJUSTMENT FACTOR	CRI	Multiplier	
	93+	0.88	

PHOTOMETRY BASED ON 4' LENGTH (83+ CRI AND 3500K SOURCE)



TECHNICAL**HOUSING**

Extruded aluminum housing with cast aluminum end caps
Individual units and continuous runs available in 1' increments
24 gauge LED reflector with high reflectance white powder coated finish
Extruded acrylic lens with a satin finish designed for optimal performance and glare control
Standard polyester powder coated matte white finish. Optional finishes available

ELECTRICAL

Luminaires are pre-wired with factory installed quick connects and branch circuit wiring
Standard 0-10V, constant current drivers with 100-1% dimming range and >0.9 power factor
Standard 120/277V universal voltage drivers. Optional 347V, 0-10V drivers
Lutron EcoSystem and eidoLED DALI options available with 100-1% dimming range
All drivers are integral and easily accessible through luminaire aperture

LED SYSTEM

Proprietary LED system with color consistency <3 SDCM
Available in 27K, 30K, 35K, and 40K
Standard 83+CRI. Optional 93+CRI
R9 value of 56 for 93+CRI
L90 >60,000 hours
5 Year Warranty

MOUNTING

Suitable for drywall and wood ceiling (see mounting details)
Suitable for various grid ceiling applications (see mounting details)

LISTING

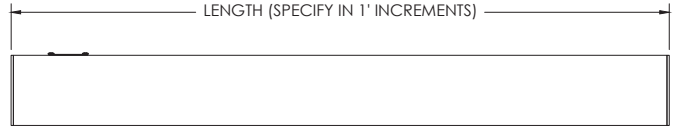
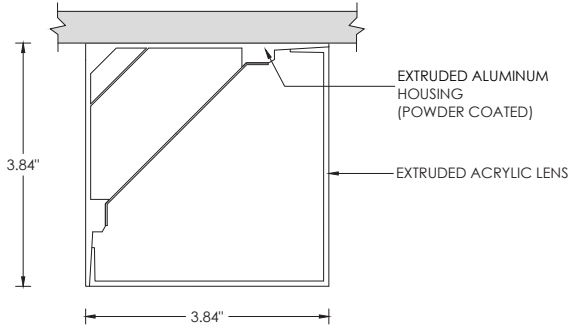
ETL listed and tested to cUL standards. Suitable for dry and damp locations

WARRANTY

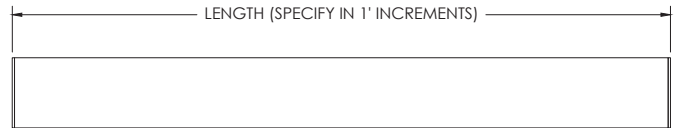
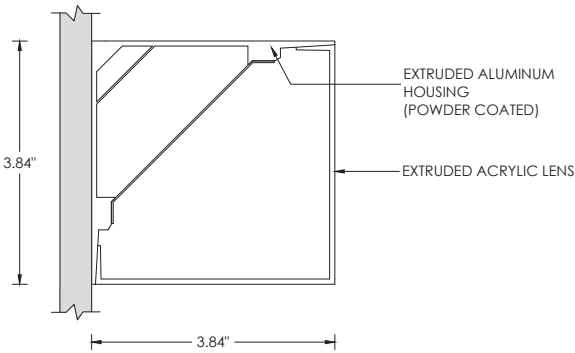
5 Year Warranty on LED and drivers
Manufacturer 1 Year Warranty for defects in material and workmanship under normal use
Ambient temperature at fixture should not exceed 25°C

DRAWINGS AND DIMENSIONS

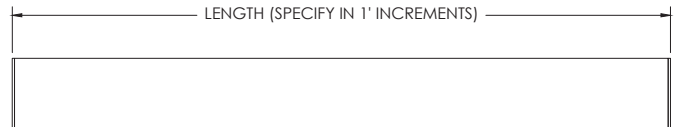
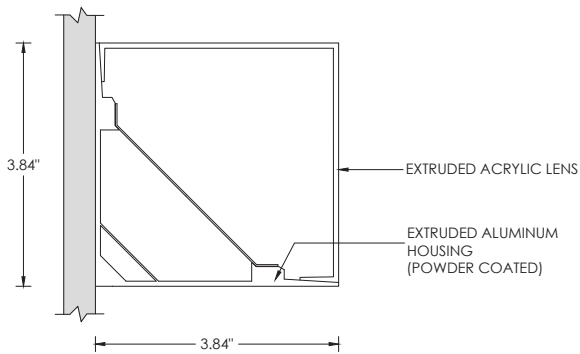
C - CEILING



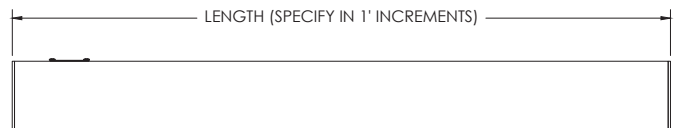
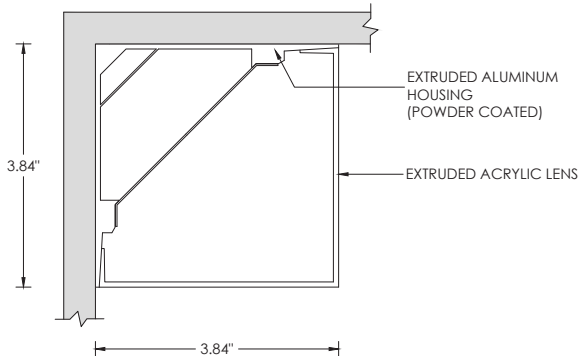
WD - WALL DIRECT



WI - WALL INDIRECT

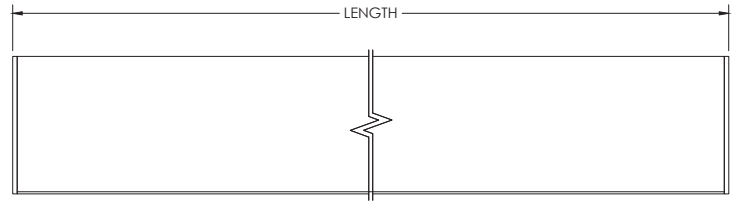
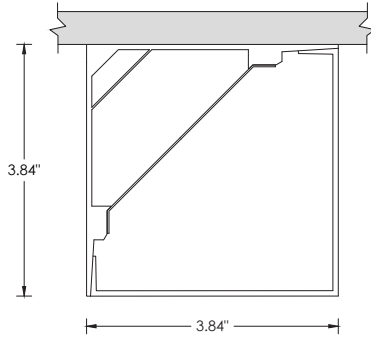


CTW - CEILING TO WALL

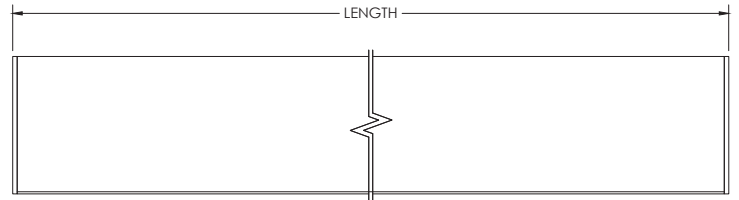
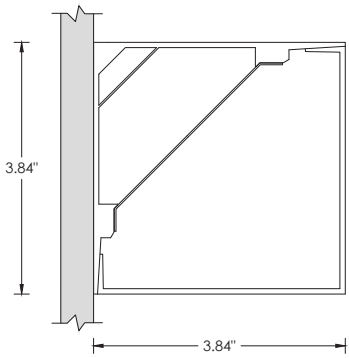


MOUNTING DETAILS

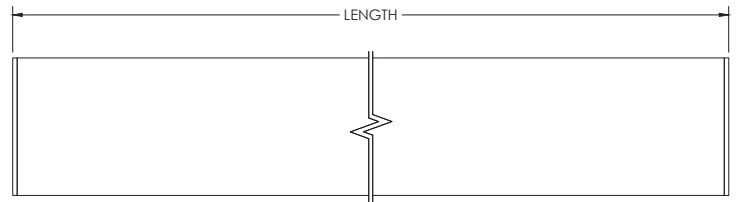
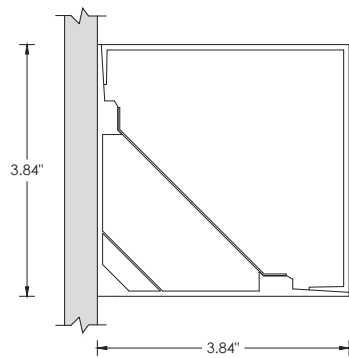
C - CEILING



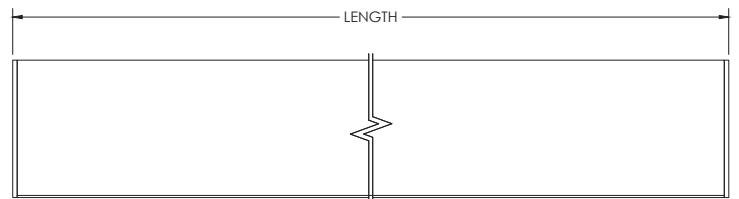
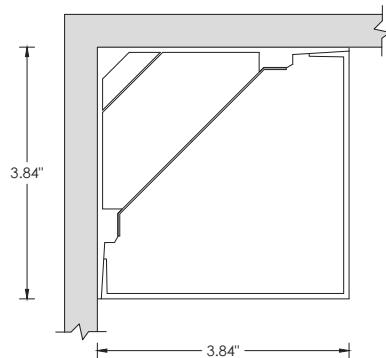
WD - WALL DIRECT



WI - WALL INDIRECT

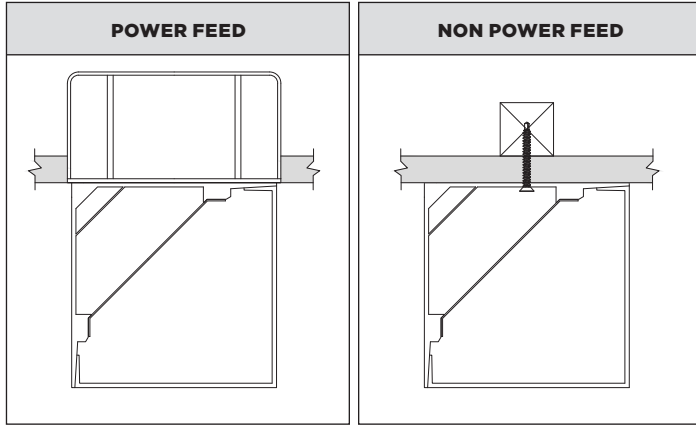


CTW - CEILING TO WALL

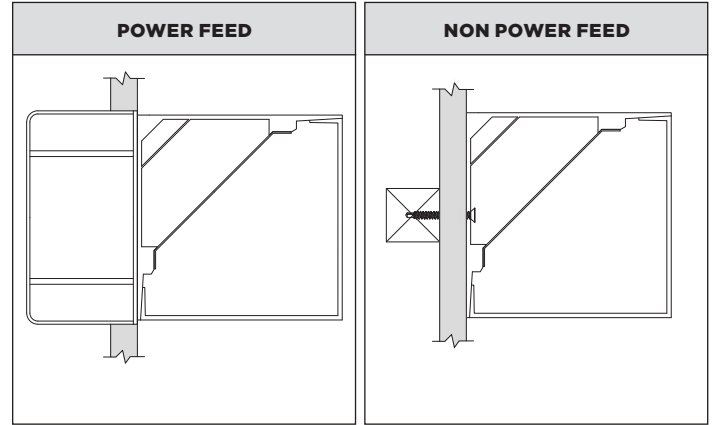


DRAWINGS AND DIMENSIONS

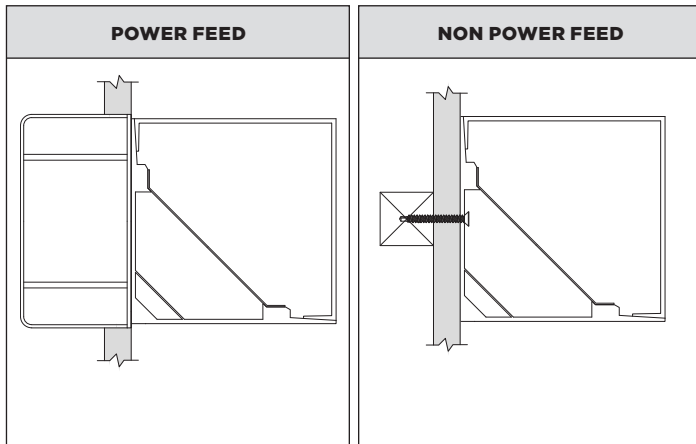
CEILING



WALL DIRECT



WALL INDIRECT



CEILING TO WALL & WALL CORNER

