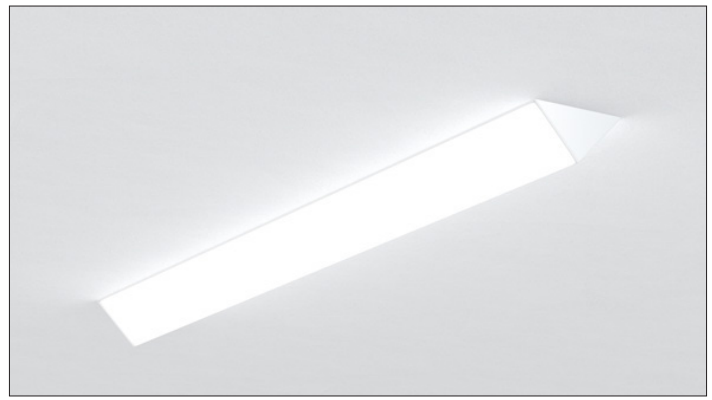


3G-RVLI

V-LINIA RECESSED

Extruded aluminum housing with cast aluminum end caps
 V-shaped acrylic lens is fully saturated with proprietary LED system
 Individual fixtures or continuous runs available in 1' increments
 Suitable for drywall, wood, and various architectural ceilings
 LED system with performance up to 121 lumens per watt
 1% dimming standard with several driver options



ORDERING INFORMATION

PROJECT:	<input type="text"/>	TYPE:	<input type="text"/>
CATALOG #:	<input type="text"/>	DATE:	<input type="text"/>

CAT. NO	LUMEN OUTPUT	CRI	COLOR TEMP	VOLTAGE
3G-RVLI	L250 - LOW OUTPUT (250 LM/FT) ¹	S80 - 83+ CRI	27K - 2700K	UNV - 120/277V 347 - 347V (0-10V ONLY)
	L500 - MEDIUM OUTPUT (500 LM/FT)	H90 - 93+ CRI	30K - 3000K	
	L750 - HIGH OUTPUT (750 LM/FT)		35K - 3500K	
	L1000 - VERY HIGH OUTPUT (1000 LM/FT) ²		40K - 4000K	
	LC___ - CUSTOM OUTPUT (SPECIFY LM/FT)*			
	*Specific custom lumen outputs in 50lm increments (ie: LC600, LC650, LC700) Custom output cannot exceed LC1000		* 90D reflector supplied standard with lens	

DRIVER	FLANGE TYPE	OPTIONS	LENGTH (FEET)
DIM - 0-10V (STANDARD 100-1%)	WT - WHITE TRIM	EMB - INTEGRAL EMERGENCY BATTERY (MIN 4' SECTION)	S-2' - 2'
DHL2 - LUTRON HI-LUME LDE1 (100-1% ECOSYSTEM)	XTR - TRIMLESS	EMC - EMERGENCY CIRCUIT	S-3' - 3'
DALI - DALI (eidoLED, 100-1%) ³	FX - FLANGELESS	CP - CHICAGO PLENUM	S-4' - 4'
D01 - 0-10V (eidoLED, 100-0.1%)	6TZ - 6" TECHZONE		S-5' - 5'
	GCX - GRID CEILING (UNIVERSAL MOUNT)*		S-6' - 6'
	*Grid ceiling fixtures ship with universal mounting brackets suitable for all ceiling types. See mounting section for details.		S-8' - 8'
			S- ___' (STRAIGHT RUN)*
			* For continuous runs (9' and up), specify length in feet in 1' increments Fixture sections are connected on site using 3G's joiner plate kit

¹ L250 (250LM/FT) not available in 2' and 3' lengths. Specify LC400 for 2' and 3' fixture lengths when outputs lower than 500LM/FT are required

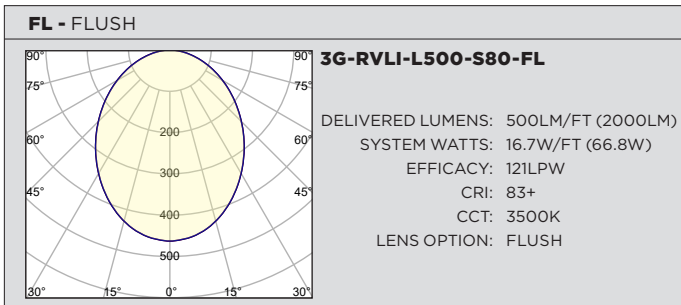
² L1000 (1000LM/FT) not available with H90 (93+ CRI)

³ DALI-2 (Type 6) provided as standard. Please consult factory for DALI (Type 8) options

PERFORMANCE CHART BASED ON 4' LENGTH (83+ CRI AND 3500K SOURCE)

LENS OPTION	DELIVERED LUMENS (LM/F)	SYSTEM WATTS (W/FT)	EFFICACY (LPW)
FLUSH	250	8.3	119
	500	16.7	121
	750	25.2	120
	1000	34.0	118
LUMEN OUTPUT ADJUSTMENT FACTORS	CCT	Multiplier	
	2700K	0.94	
	3000K	0.97	
	3500K	1.00	
EFFICACY (LPW) ADJUSTMENT FACTOR	CRI	Multiplier	
	93+	0.88	

PHOTOMETRY BASED ON 4' LENGTH (83+ CRI AND 3500K SOURCE)



TECHNICAL**HOUSING**

Extruded aluminum housing with cast aluminum end caps
Individual units and continuous runs available in 1' increments. Contact 3G for 1" increments
Trim flange with matte white powder coated finish and minimal 0.400" overlap
Trimless model features a satin coat mudding flange for seamless ceiling integration
24-gauge LED reflector with high reflectance white powder coated finish
Standard polyester powder coated matte white finish

OPTICS

Extruded, satin acrylic lens designed for optimal performance and glare control. Up to 8' continuous

ELECTRICAL

Luminaires are pre-wired with factory installed quick connects and branch circuit wiring
Standard 0-10V, constant current drivers with 100-1% dimming range and >0.9 power factor
Standard 120/277V universal voltage drivers. Optional 347V, 0-10V drivers
Lutron EcoSystem and eldoLED DALI options available with 100-1% dimming range
All drivers are integral and easily accessible through luminaire aperture
Minimum 4' and maximum 6' length for each integral emergency battery. 10W output for 90 minutes

LED SYSTEM

Proprietary LED system with color consistency <3 SDCM
Available in 27K, 30K, 35K, and 40K
Standard 83+CRI. Optional 93+CRI
R9 value of 56 for 93+CRI
L90 >60,000 hours
5 Year Warranty

MOUNTING

Housing suspended via 1/4" threaded rod
Trim fixture designed for use in drywall, wood, and other architectural ceiling materials
Trimless fixture designed for use in drywall, mud-in ceiling applications
Flangeless fixture designed for use in wood ceilings
Suitable for various grid ceilings and 6" techzone (see mounting details)

LISTING

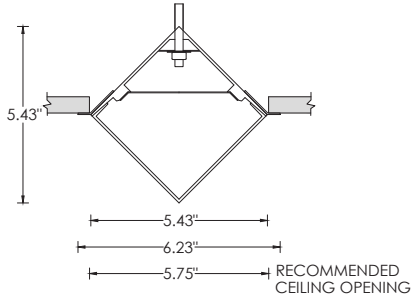
ETL listed and tested to cUL standards. Suitable for dry and damp locations

WARRANTY

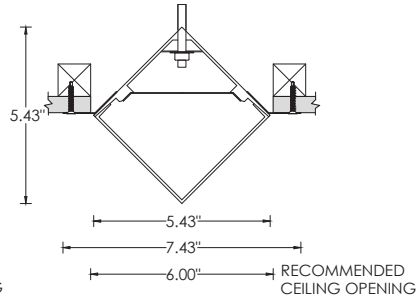
5 Year Warranty on LED and drivers
Manufacturer 1 Year Warranty for defects in material and workmanship under normal use
Ambient temperature at fixture should not exceed 25°C

DRAWINGS AND DIMENSIONS HARD CEILING

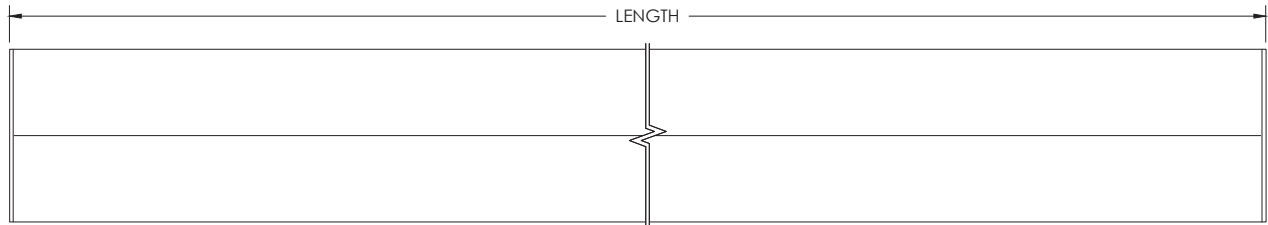
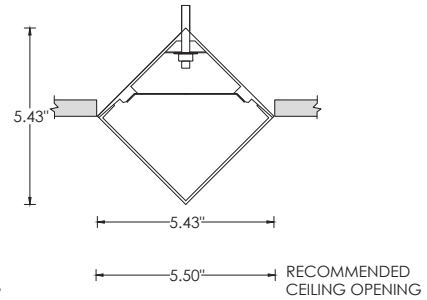
WT - TRIM



XTR - TRIMLESS

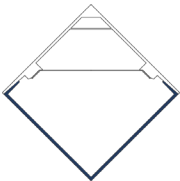


FX - FLANGELESS

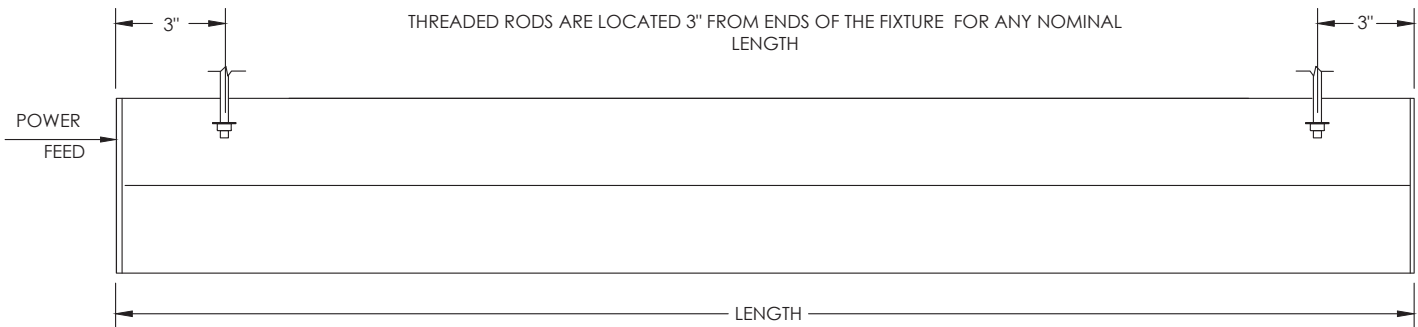


LENS OPTION

FL - FLUSH

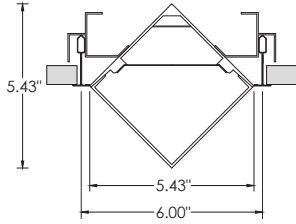


MOUNTING DETAILS HARD CEILING

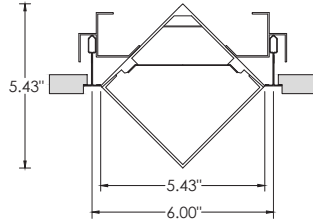


DRAWINGS AND DIMENSIONS GRID CEILING

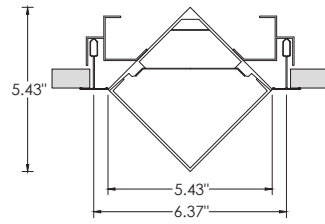
9L - 9/16" LAYIN



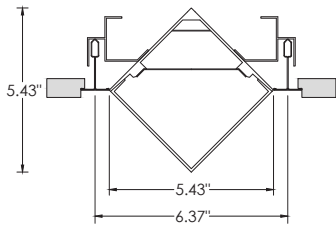
9TG - 9/16" TEGULAR



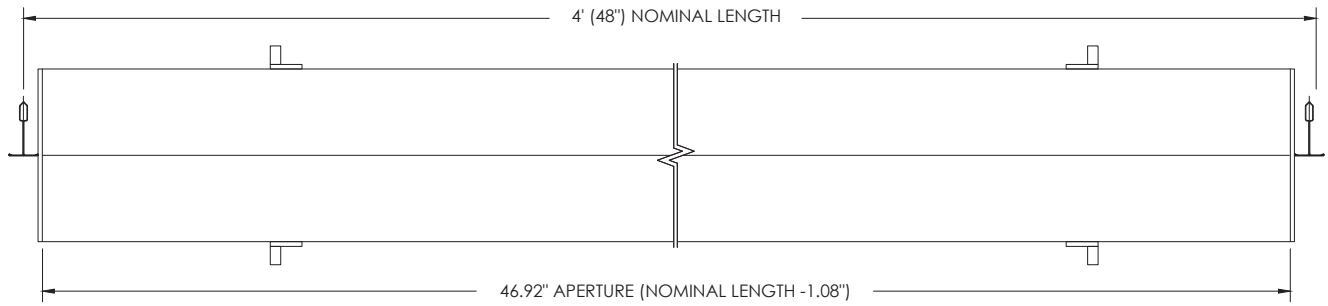
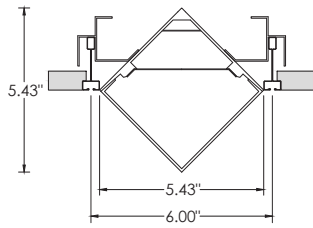
15L - 15/16" LAYIN



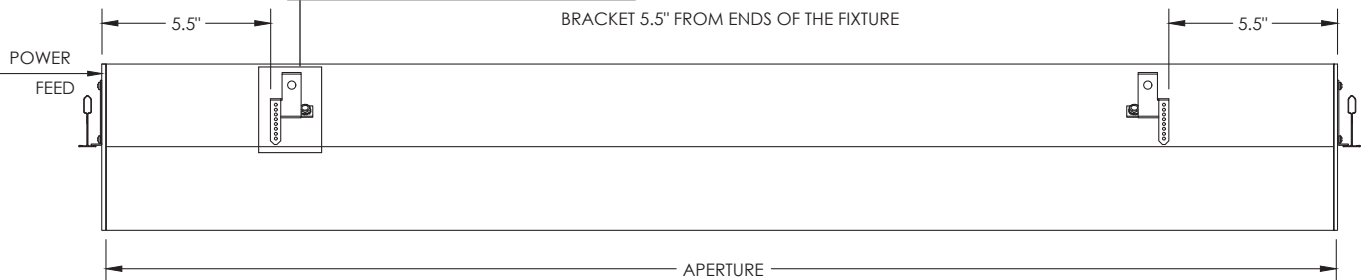
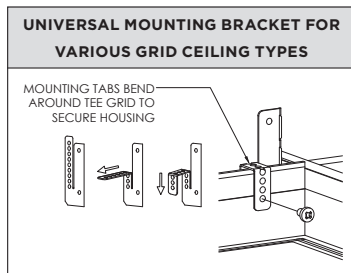
15TG - 15/16" TEGULAR



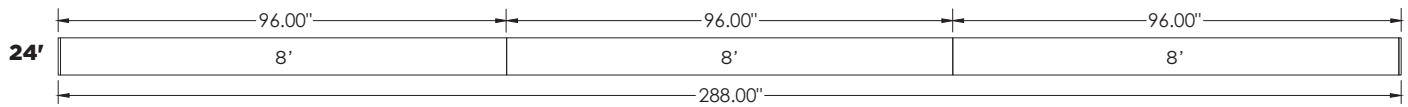
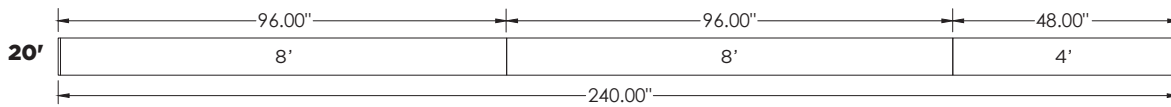
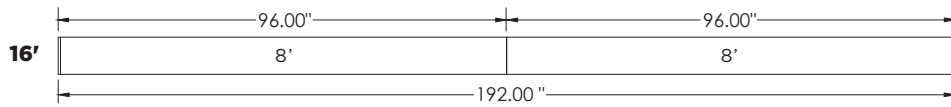
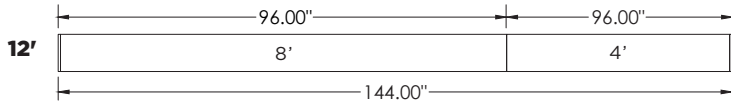
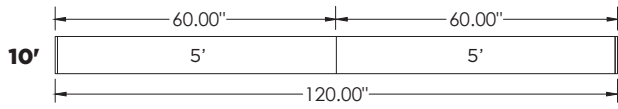
9TP - 9/16" TEGULAR



MOUNTING DETAILS GRID CEILING



TYPICAL SECTION MOUNTING (AVAILABLE IN 1' INCREMENTS AS STANDARD)



NOTE:

Run lengths and configurations not shown are available in 1' increments as standard. Please contact 3G for 1" increments