

3.3"/4.5" ROUND WALLWASH DOWNLIGHT FLANGELESS MILLWORK

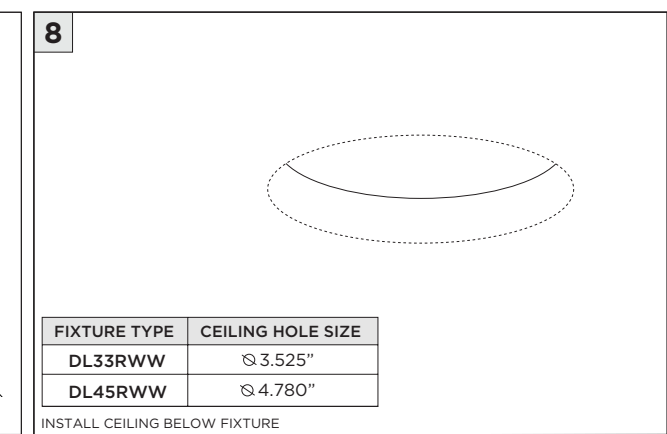
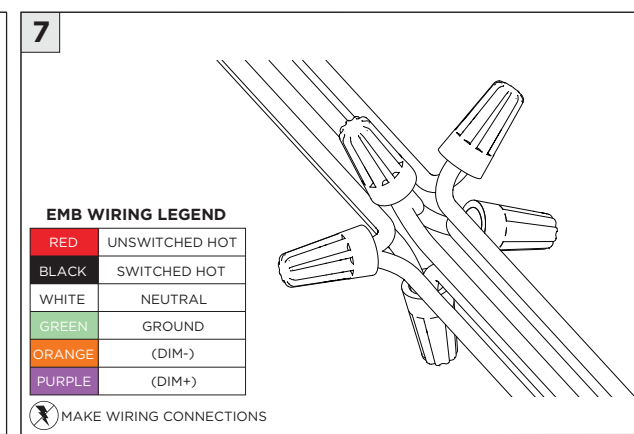
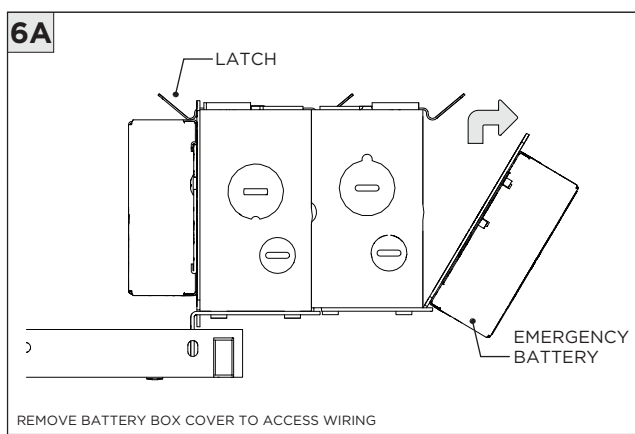
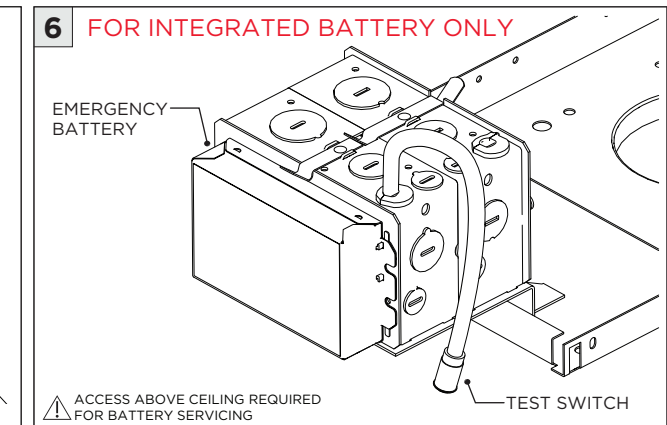
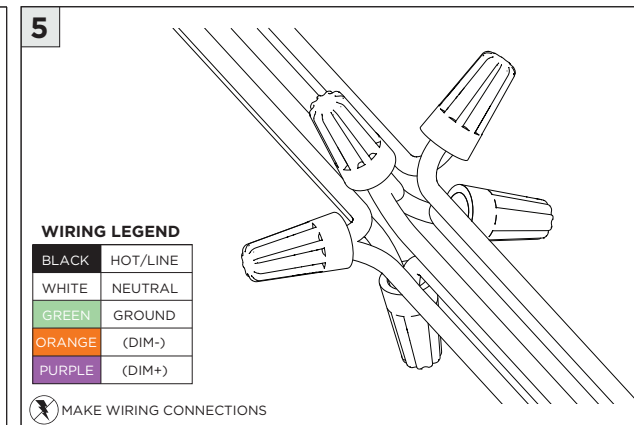
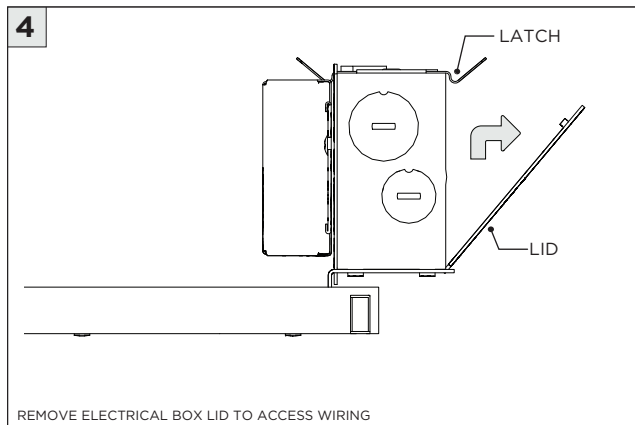
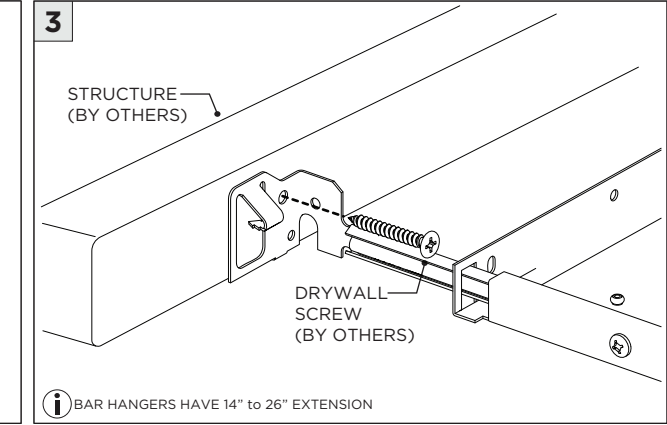
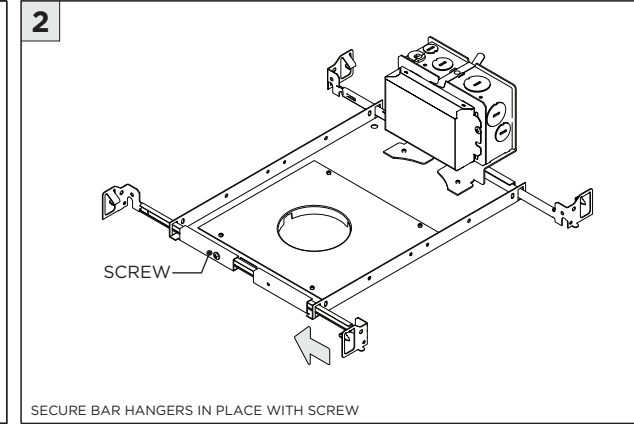
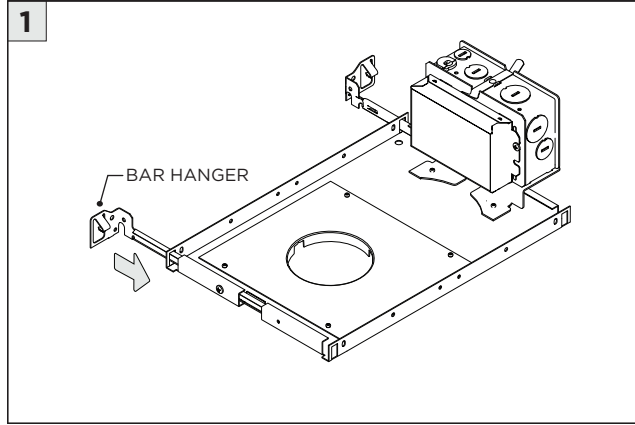


i THE IMAGES SHOWN ARE FOR ILLUSTRATION PURPOSES ONLY AND MAY NOT BE AN EXACT REPRESENTATION OF THE PRODUCT

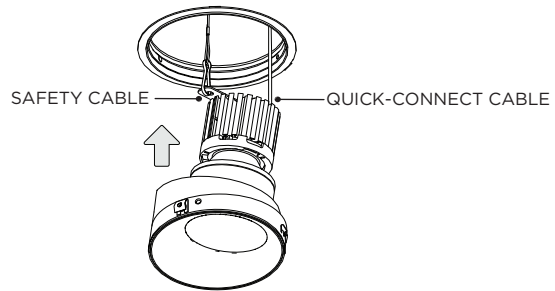
INCLUDED COMPONENTS	
<p>NCF - NEW CONSTRUCTION FRAME (FOR NEW CONSTRUCTION ONLY)</p> <p>LED INSERT NEW CONSTRUCTION FRAME BAR HANGERS SUCTION CUP</p>	<p>SH - SHALLOW HOUSING (FOR NEW CONSTRUCTION ONLY)</p> <p>LED INSERT SHALLOW HOUSING BAR HANGERS SUCTION CUP</p>
<p>NC/IC - NEW CONSTRUCTION HOUSING (FOR NEW CONSTRUCTION ONLY)</p> <p>LED INSERT NEW CONSTRUCTION HOUSING BAR HANGERS (OPTIONAL) SUCTION CUP</p>	

INSTRUCTION KEY	INFORMATION
	ADDITIONAL INSTALLATION SHOULD ONLY BE PERFORMED BY A CERTIFIED ELECTRICIAN
	ATTENTION REFER TO LOCAL/NATIONAL CODES FOR PROPER INSTALLATION
	POWER ON FAILURE TO FOLLOW INSTALLATION INSTRUCTION MAY VOID THE WARRANTY
	POWER OFF DO NOT TOUCH LEDS. LEDS MUST BE PROTECTED FROM MECHANICAL STRESS OR DEBRIS TURN OFF POWER DURING INSTALLATION OR SERVICING

NCF - NEW CONSTRUCTION FRAME (FOR NEW CONSTRUCTION ONLY)

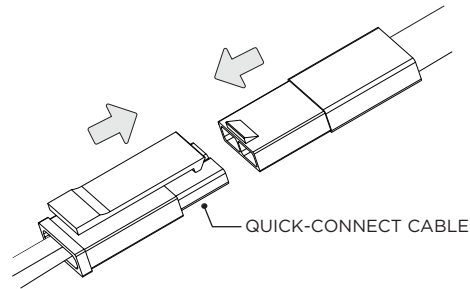


9



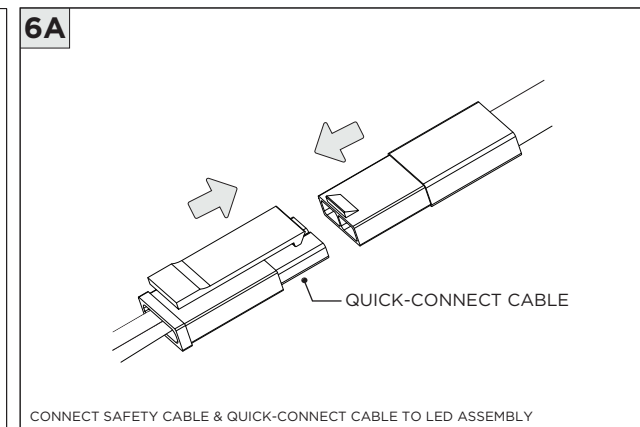
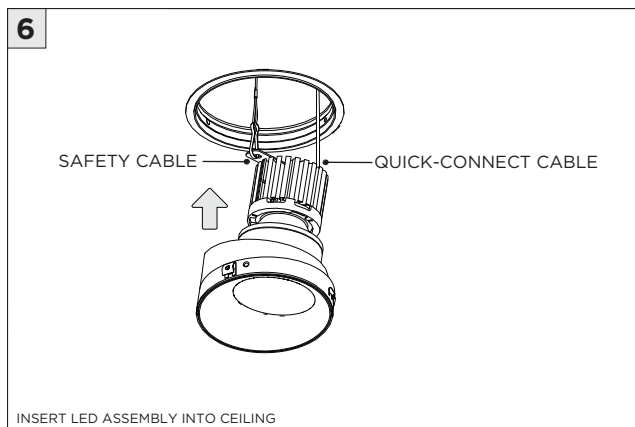
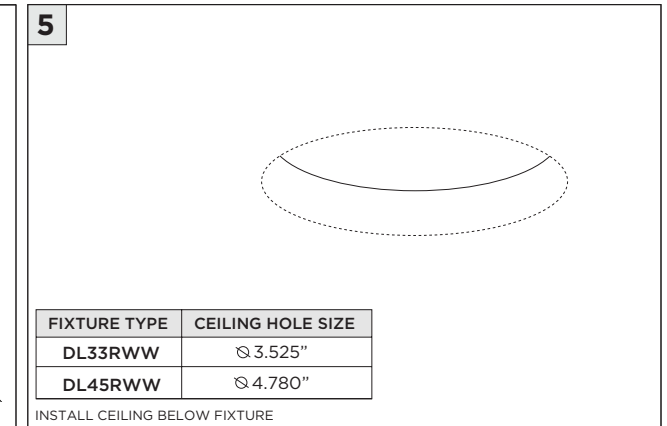
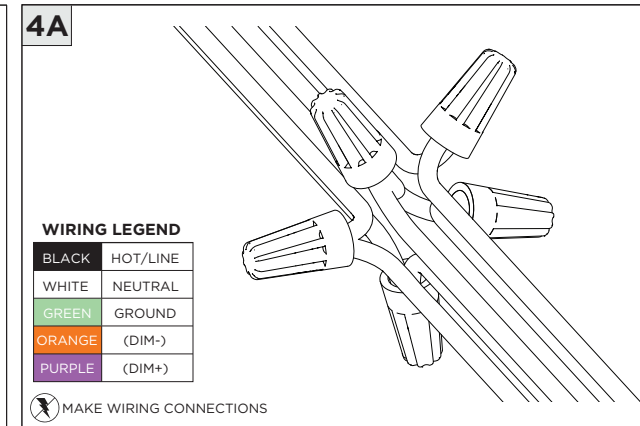
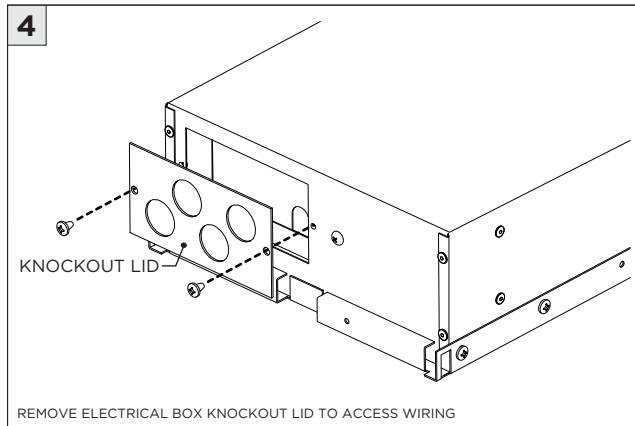
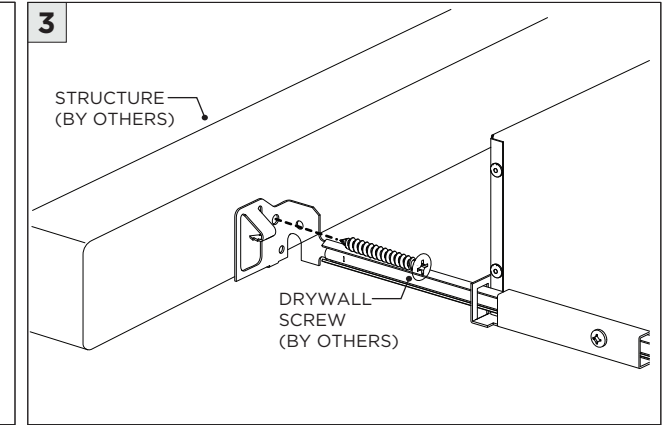
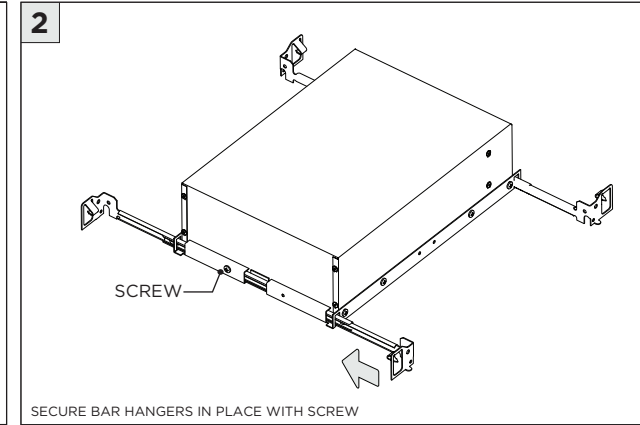
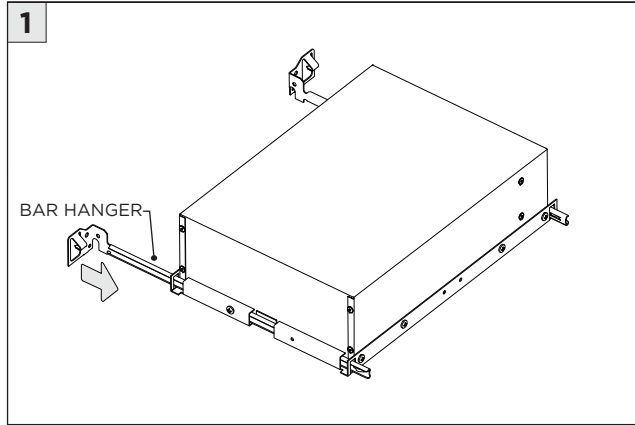
INSERT LED ASSEMBLY INTO CEILING

9A



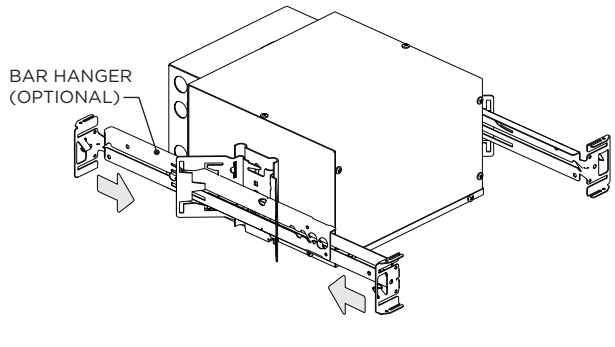
CONNECT SAFETY CABLE & QUICK-CONNECT CABLE TO LED ASSEMBLY

SH - SHALLOW HOUSING (FOR NEW CONSTRUCTION ONLY)

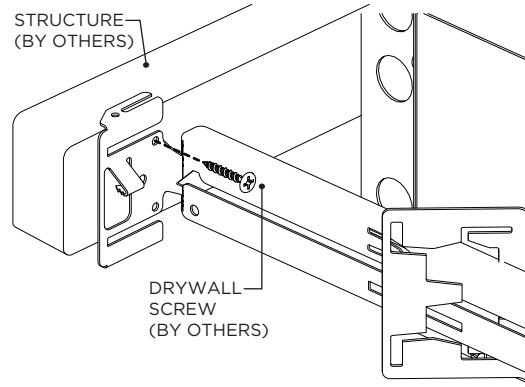


NC/IC - NEW CONSTRUCTION HOUSING (FOR NEW CONSTRUCTION ONLY)

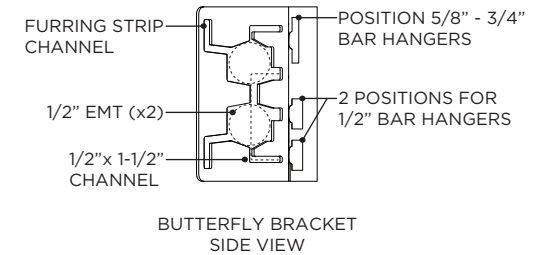
1 BAR HANGER INSTALLATION
(IF SUPPLIED BY 3G)



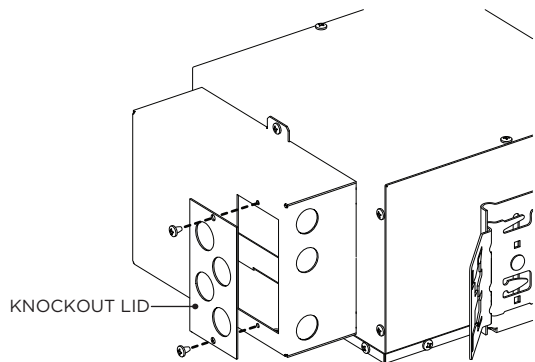
1A



2 OTHER BAR HANGER INSTALLATION
(NOT PROVIDED BY 3G)



3

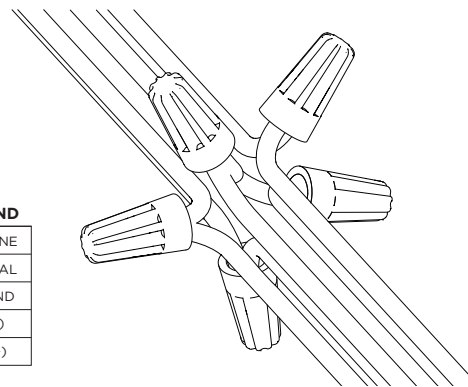


REMOVE ELECTRICAL BOX KNOCKOUT LID TO ACCESS WIRING

3A

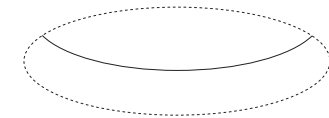
WIRING LEGEND

BLACK	HOT/LINE
WHITE	NEUTRAL
GREEN	GROUND
ORANGE	(DIM-)
PURPLE	(DIM+)



MAKE WIRING CONNECTIONS

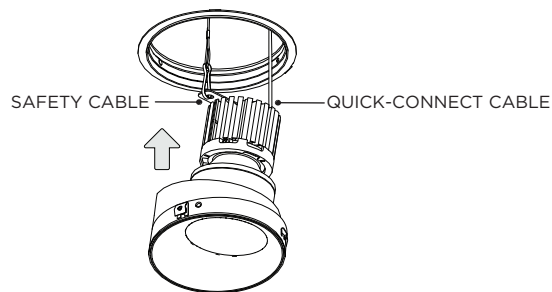
4



FIXTURE TYPE	CEILING HOLE SIZE
DL33RWW	∅ 3.525"
DL45RWW	∅ 4.780"

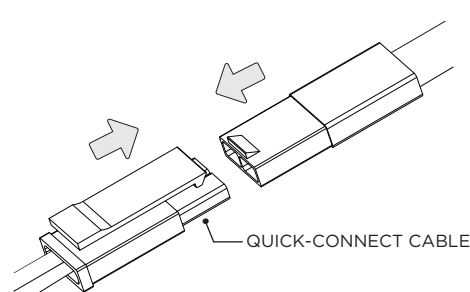
INSTALL CEILING BELOW FIXTURE

5



INSERT LED ASSEMBLY INTO CEILING

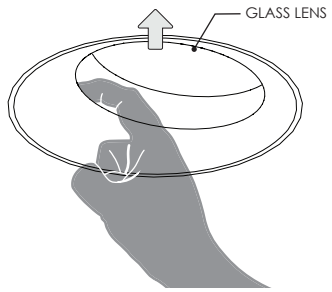
5A



CONNECT SAFETY CABLE & QUICK-CONNECT CABLE TO LED ASSEMBLY

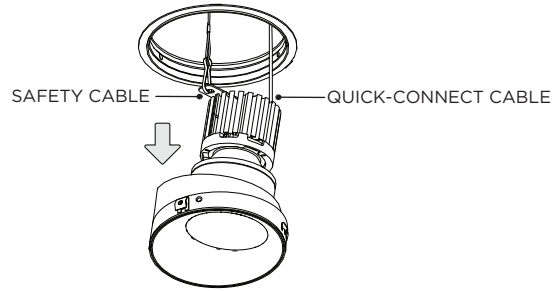
LED SERVICING

1



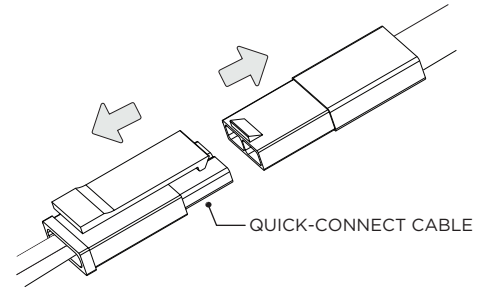
LIFT GLASS LENS AND DETACH LED ASSEMBLY FROM CEILING AS SHOWN

1A



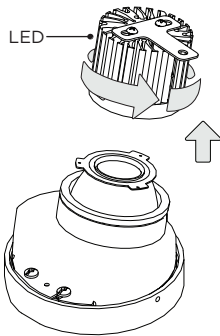
REMOVE LED ASSEMBLY FROM CEILING

2



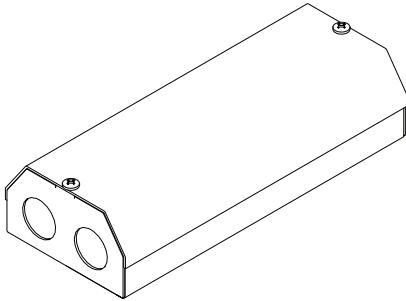
DISCONNECT SAFETY CABLE & QUICK-CONNECT CABLE FROM LED ASSEMBLY

3



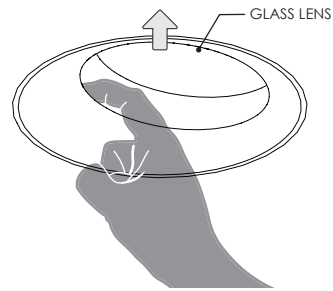
DRIVER SERVICING

1 RMD - REMODEL



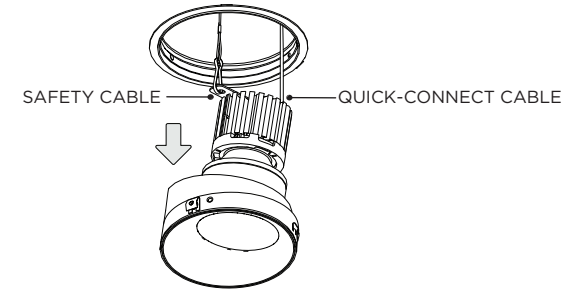
 DISCONNECT POWER BEFORE SERVICING

2



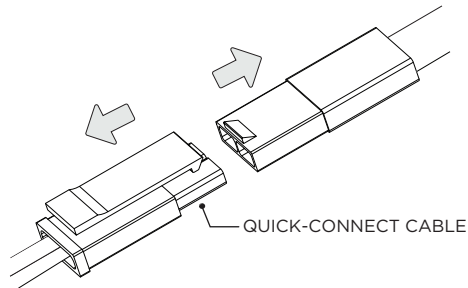
LIFT GLASS LENS AND DETATCH LED ASSEMBLY FROM CEILING AS SHOWN

2A



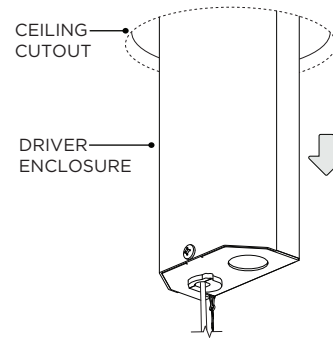
REMOVE LED ASSEMBLY FROM CEILING

2B

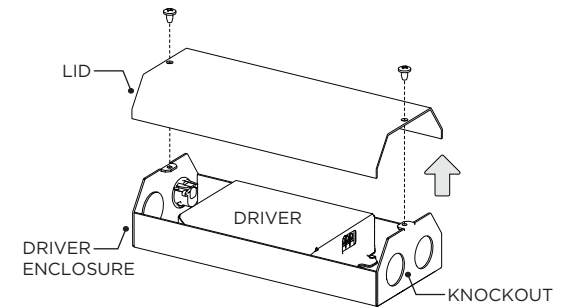


DISCONNECT SAFETY CABLE & QUICK-CONNECT CABLE FROM LED ASSEMBLY

3

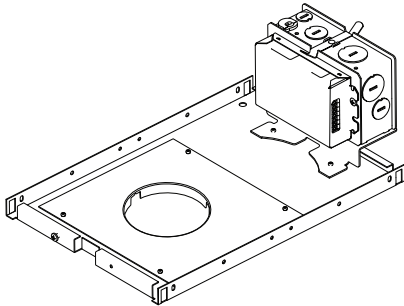


4



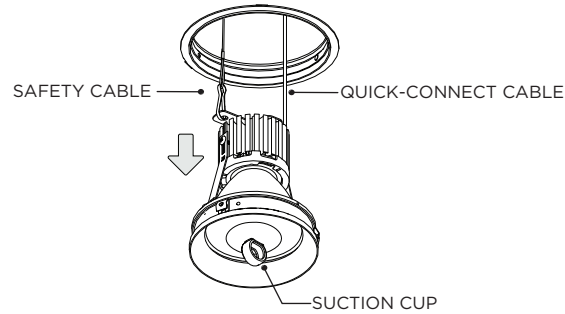
DRIVER SERVICING

1 NCF - NEW CONSTRUCTION FRAME



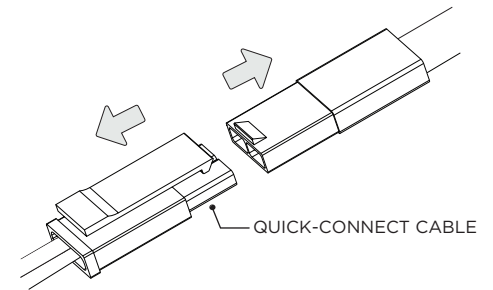
DISCONNECT POWER BEFORE SERVICING

2



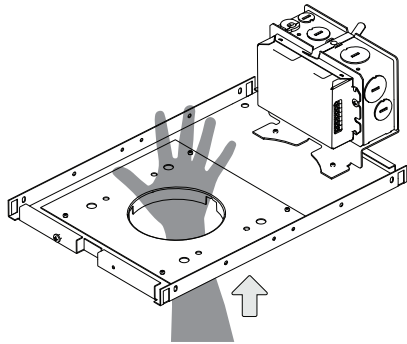
REMOVE LED ASSEMBLY FROM CEILING

2A

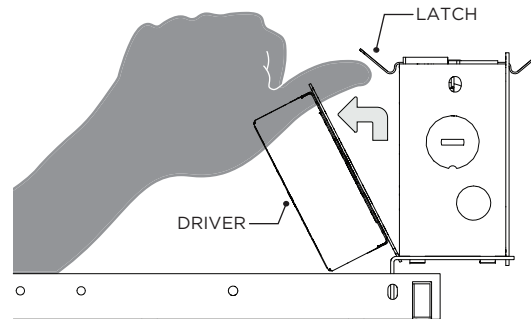


DISCONNECT SAFETY CABLE & QUICK-CONNECT CABLE FROM LED ASSEMBLY

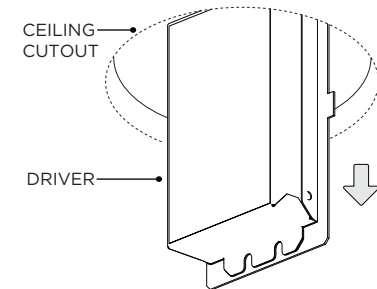
3



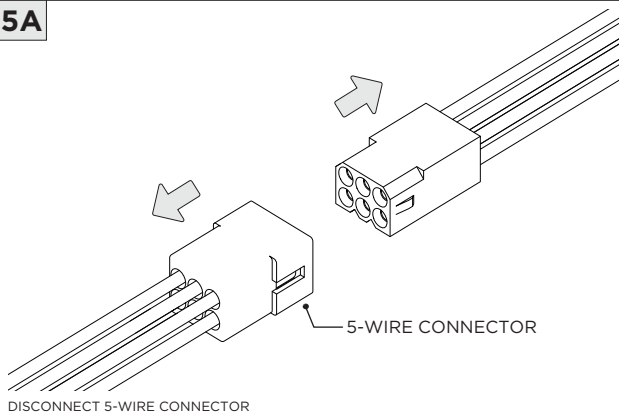
4



5



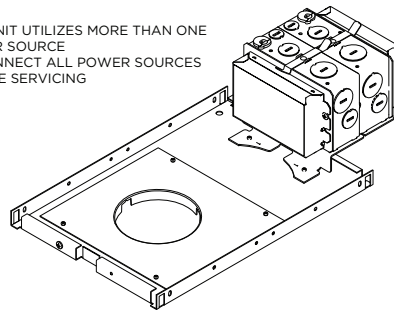
5A



DISCONNECT 5-WIRE CONNECTOR

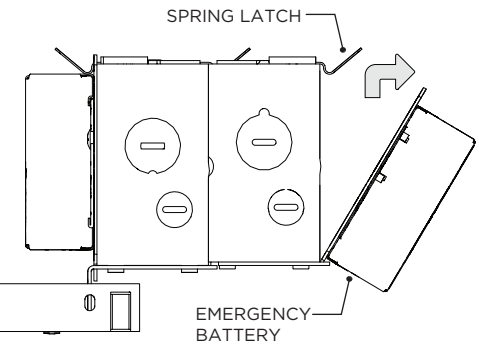
6 NCF - NEW CONSTRUCTION FRAME FOR INTEGRATED BATTERY ONLY

THIS UNIT UTILIZES MORE THAN ONE POWER SOURCE
DISCONNECT ALL POWER SOURCES BEFORE SERVICING



ACCESS ABOVE CEILING REQUIRED FOR DRIVER SERVICING

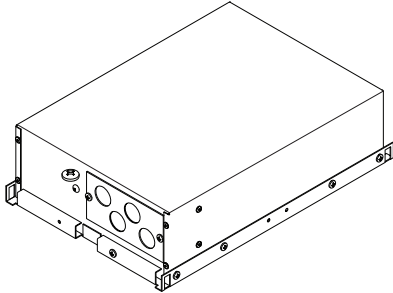
7



REMOVE BATTERY BOX COVER TO ACCESS WIRING

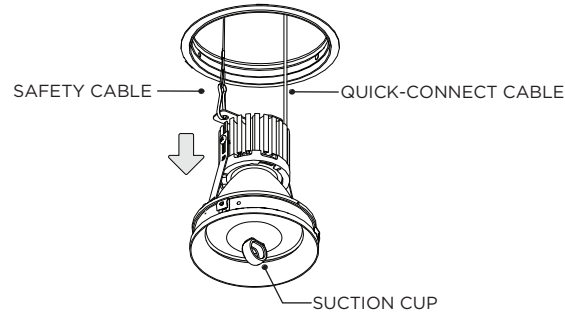
DRIVER SERVICING

1 SH - SHALLOW HOUSING



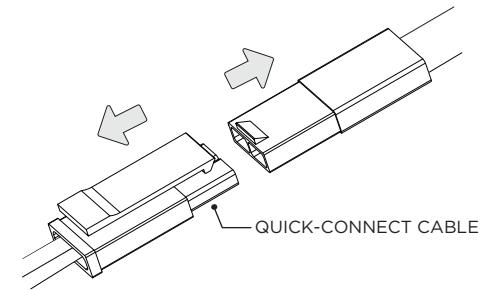
⊗ DISCONNECT POWER BEFORE SERVICING

2



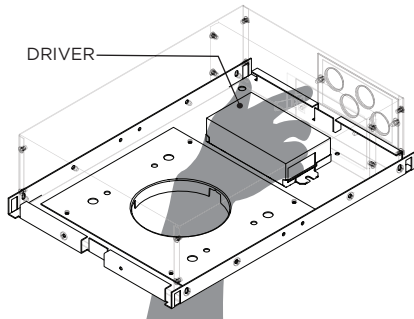
REMOVE LED ASSEMBLY FROM CEILING

2A



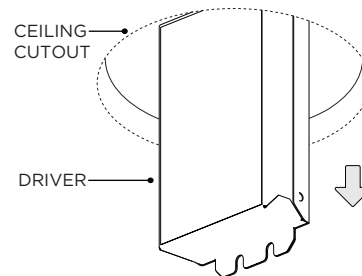
DISCONNECT SAFETY CABLE & QUICK-CONNECT CABLE FROM LED ASSEMBLY

3

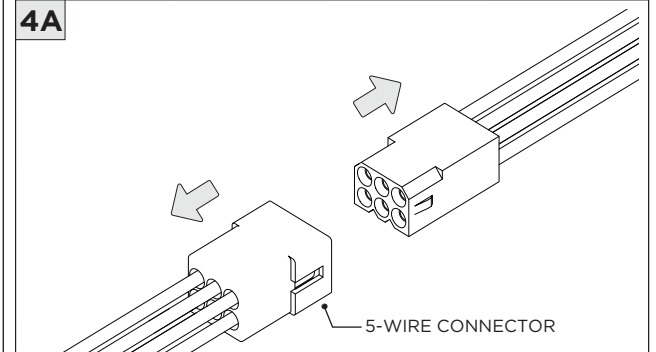


REMOVE DRIVER - SECURED WITH HOOK-AND-LOOP FASTENER

4



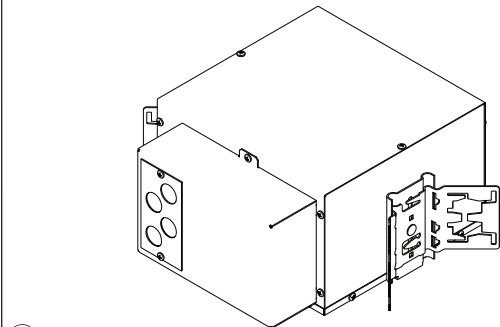
4A



DISCONNECT 5-WIRE CONNECTOR

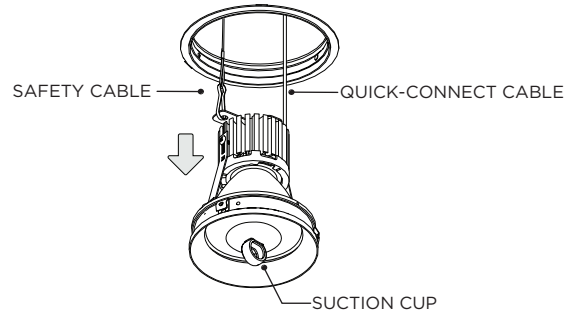
DRIVER SERVICING

1 NC/IC - NEW CONSTRUCTION HOUSING



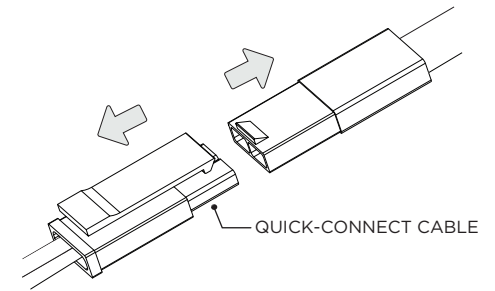
DISCONNECT POWER BEFORE SERVICING

2



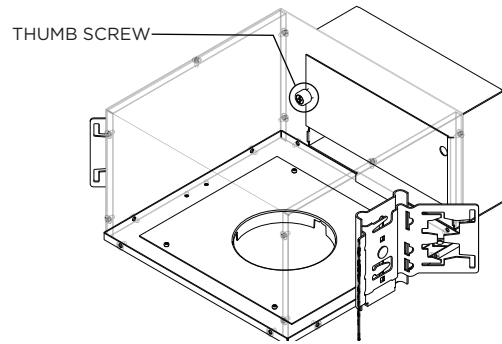
REMOVE LED ASSEMBLY FROM CEILING

2A

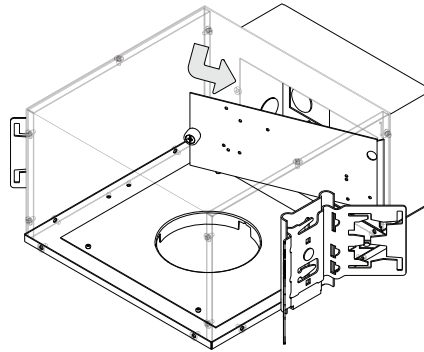


DISCONNECT SAFETY CABLE & QUICK-CONNECT CABLE FROM LED ASSEMBLY

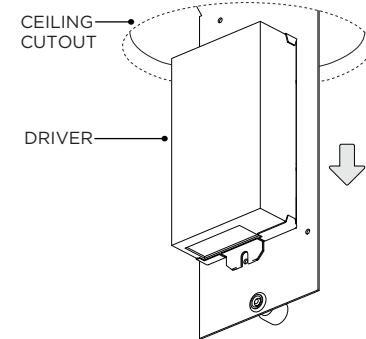
3



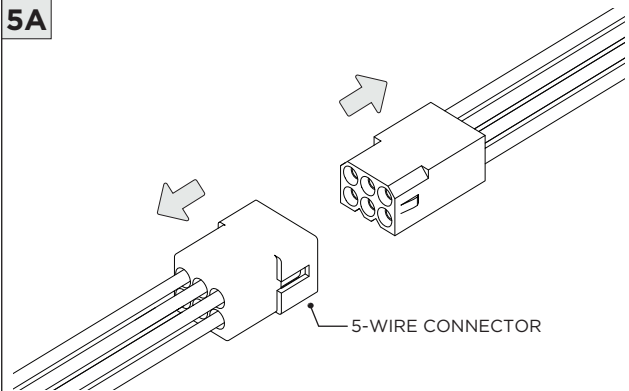
4



5



5A



DISCONNECT 5-WIRE CONNECTOR