

3GQ 3G-SCL45R

4.5" DIAMETER CYLINDER
SURFACE MOUNTED

4.5" diameter high performance cylinder
 Companion to 3G-DL45R series downlight family
 Extruded aluminum housing with powder coated finish
 Twist and lock construction and no visible hardware
 Regressed LED source for enhanced glare control
 2 SDSC, Citizen LED source available in 30K and 35K (80+ CRI)
 Universal voltage, 0-10V driver with 100-1% dimming range



10 DAY QUICKSHIP
Max Order Size: 50 pcs

ORDERING INFORMATION

PROJECT:	<input type="text"/>	TYPE:	<input type="text"/>
CATALOG #:	<input type="text"/>	DATE:	<input type="text"/>

CAT. NO	LUMEN OUTPUT	CRI	COLOR TEMP	BEAM ANGLE	VOLTAGE
3G-SCL45R	10 - 1000 LUMENS	S80 - 80+ CRI	30K - 3000K 35K - 3500K	20D - 20°	UNV - 120/277V
	15 - 1500 LUMENS			40D - 40°	
	22 - 2200 LUMENS			60D - 60°	
	30 - 3000 LUMENS			90D - 90° *	
				* 90D reflector supplied standard with lens	

DRIVER	CYLINDER & INSERT FINISH	OPTIONS
DIM - 0-10V (STANDARD 100-1%)	WH - WHITE	SB70 - SANDBLASTED LENS SF70 - SOFTENING LENS Maximum 1 optical accessory

Refer to standard specification sheets for complete details. Please note that only options shown above qualify for 10 day 3GQ program JUNE 3, 2020

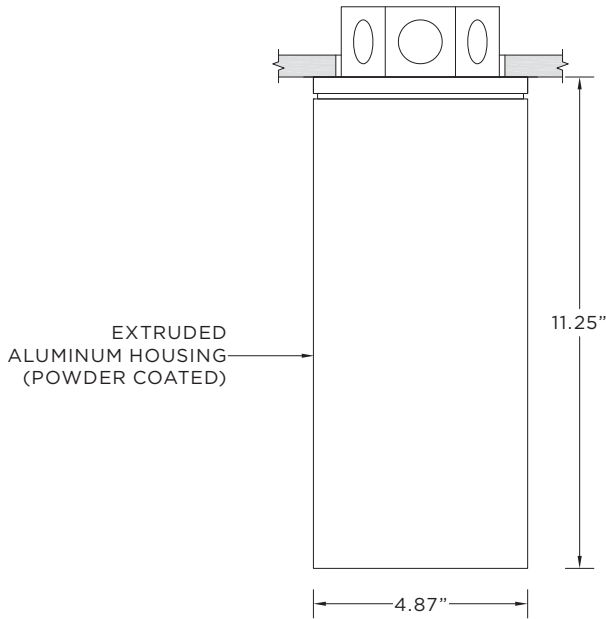


3G-SCL45R

4.5" DIAMETER CYLINDER SURFACE MOUNTED

DRAWINGS AND DIMENSIONS

**RECESSED J-BOX
(4" OCTAGONAL BY OTHERS)**



**SURFACE MOUNTED J-BOX
(4" OCTAGONAL BY OTHERS)**

