



# 3G-DL33RF

3.3" ROUND FIXED TRIM & TRIMLESS



Small 3.3" high performance downlight  
 Regressed LED source for enhanced glare control  
 Lumen range of 1000lm to 3000lm (80+, 90+, and 97+ CRI options)  
 Wet location option available  
 Shallow housing available along with other housing options  
 1% dimming standard with several driver options

## ORDERING INFORMATION

<b>PROJECT:</b>	<input type="text"/>	<b>TYPE:</b>	<input type="text"/>
<b>CATALOG #:</b>	<input type="text"/>	<b>DATE:</b>	<input type="text"/>

CAT. NO	LUMEN OUTPUT	CRI	COLOR TEMP	BEAM ANGLE	VOLTAGE
<b>3G-DL33RF</b>	<b>10</b> - 1000 LUMENS	<b>S80</b> - 80+CRI (STANDARD)	<b>27K</b> - 2700K	<b>20D</b> - 20°	<b>UNV</b> - 120/277V <sup>2</sup>
	<b>15</b> - 1500 LUMENS	<b>H90</b> - 90+CRI	<b>30K</b> - 3000K	<b>40D</b> - 40°	<b>120</b> - 120V <sup>3</sup>
	<b>22</b> - 2200 LUMENS	<b>H97</b> - 97+CRI <sup>1</sup>	<b>35K</b> - 3500K	<b>60D</b> - 60°	<b>277</b> - 277V
	<b>30</b> - 3000 LUMENS		<b>40K</b> - 4000K		<b>347</b> - 347V (0-10V ONLY)

DRIVER	FLANGE TYPE	BEVELED INSERT	HOUSING TYPE	OPTIONS
<b>DIM</b> - 0-10V (STANDARD 100-1%) <b>DHL2</b> - LUTRON HI-LUME LDE (100-1% ECOSYSTEM) <b>DALI</b> - DALI (100-1%) <b>LE</b> - PHASE DIMMING <sup>3</sup> (TRIAC/ELV, 100-1%, 120V ONLY)	<b>WT</b> - WHITE <b>BT</b> - BLACK <b>XTR</b> - TRIMLESS <sup>4</sup>	<b>WI</b> - WHITE <b>SI</b> - SILVER <b>BI</b> - BLACK	<b>RMD</b> - REMODEL (NON-IC) <b>NCF</b> - NEW CONSTRUCTION FRAME (NON-IC) <b>SH</b> - SHALLOW HOUSING <sup>5</sup> (IC RATED & CP RATED) <b>NC</b> - NEW CONSTRUCTION HOUSING (NON-IC & CP RATED)	<b>CP</b> - CHICAGO PLENUM <sup>6</sup> <b>AT</b> - AIRTIGHT HOUSING <sup>7</sup> <b>WL</b> - WET LOCATION <sup>8</sup> <b>SF60</b> - SOFTENING LENS <sup>4</sup> <b>SB60</b> - SANDBLASTED LENS <b>LS60</b> - LINEAR SPREAD <b>EMR</b> - EMERGENCY BATTERY <sup>9</sup>

Maximum 1 optical accessory

<sup>1</sup> 97+ CRI available up to 2200lm  
<sup>2</sup> Universal voltage (120/277) available up to 2200lm  
 Not available with "LE" Phase dimming driver option  
<sup>3</sup> Forward phase/Reverse phase driver available in 120V only  
<sup>4</sup> Trimless model provided standard with softening lens  
<sup>5</sup> Shallow Housing (IC Rated and Chicago Plenum Rated) available up to 2200lm  
<sup>6</sup> Chicago Plenum option available with Shallow Housing (2200lm max) and New Construction Housing  
<sup>7</sup> Airtight Housing option available with Shallow Housing only (2200lm max)  
<sup>8</sup> Wet location option provided standard with sealed softening lens  
 Not available with trimless option  
<sup>9</sup> Emergency battery installed remotely by others  
 Not accessible through the inside of the fixture

## PERFORMANCE CHART

**80+ CRI** (Based on 35K and 40° Beam Angle)

LUMEN OUTPUT	SYSTEM WATTS	DELIVERED LUMENS	EFFICACY LM/W
1000 LUMENS	10.0	1027	102.4
1500 LUMENS	14.0	1438	102.4
2200 LUMENS	20.7	2115	102.4
3000 LUMENS	32.9	2976	90.4

**90+ CRI** (Based on 35K and 40° Beam Angle)

LUMEN OUTPUT	SYSTEM WATTS	DELIVERED LUMENS	EFFICACY LM/W
1000 LUMENS	10.0	880	87.7
1500 LUMENS	16.0	1407	87.7
2200 LUMENS	24.8	2173	87.7
3000 LUMENS	29.7	2329	78.3

**97+ CRI** (Based on 35K and 40° Beam Angle)

LUMEN OUTPUT	SYSTEM WATTS	DELIVERED LUMENS	EFFICACY LM/W
1000 LUMENS	10.0	772	77.0
1500 LUMENS	16.0	1236	77.0
2200 LUMENS	24.8	1908	77.0
3000 LUMENS	N/A	N/A	N/A

LUMEN OUTPUT ADJUSTMENT FACTORS: (27K=0.945) (30K=0.985) (35K=1.00) (40K=1.01)

EDITION 05/19



**TECHNICAL****HOUSING**

Remodel, new construction frame, IC housing, and shallow housing options available

Maximum ceiling thickness of 1". Consult factory for modifications

All housing options designed to be easily converted in field to trim or trimless with minimal components

Housings are rated for #12 AWG, (4 in, 4 out), 90°C conductors and through branch wiring

**BEVELED INSERT**

3.3" aperture with regressed LED source for enhanced glare control

Machined aluminum beveled insert with powder coated finish

**TRIM**

Machined aluminum trim flange with powder coated finish and minimal 0.375" overlap

**TRIMLESS**

Mudding flange with integral blocking support installs flush with ceiling

**OPTICS**

Proprietary anodized, aluminum reflectors are field replaceable

Available in 40° and 60°

Trimless model provided standard with softening lens

**ELECTRICAL**

Standard 0-10V, 100-1% dimming and 0.9 power factor

Lutron EcoSystem and eldoLED Dali options available with 100-1% dimming

120V Forward Phase/Reverse Phase driver option with 100-1% dimming

All drivers are integral and easily accessible through the aperture

Emergency Battery: 90 minutes (remote only)

**LED SYSTEM**

Citizen LED module (field replaceable)

Color consistency < 2 SDCM

Standard (80+CRI). Optional (90+ and 97+CRI)

Available in 27K, 30K, 35K, and 40K

Average rated life of > 50,000 hours

5-year warranty

**MOUNTING**

Trim fixture designed for use in drywall, wood, acoustic ceiling tiles, and other ceiling materials

Trimless fixture designed for use in drywall, mud-in ceiling applications

Recommended ceiling cut-out: (3 13/16" Ø) All housing options

All housing options ship standard with bar hangers (14" to 26" extension)

**LISTING**

ETL listed and tested to UL standards. Suitable for dry and damp locations

**WARRANTY**

5 Year warranty on LED and drivers

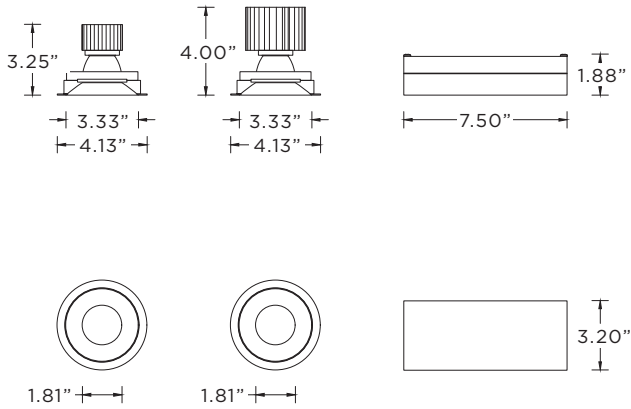
Manufacturer 1-year warranty for defects in material and workmanship under normal use

Ambient temperature at fixture should not exceed 25°C

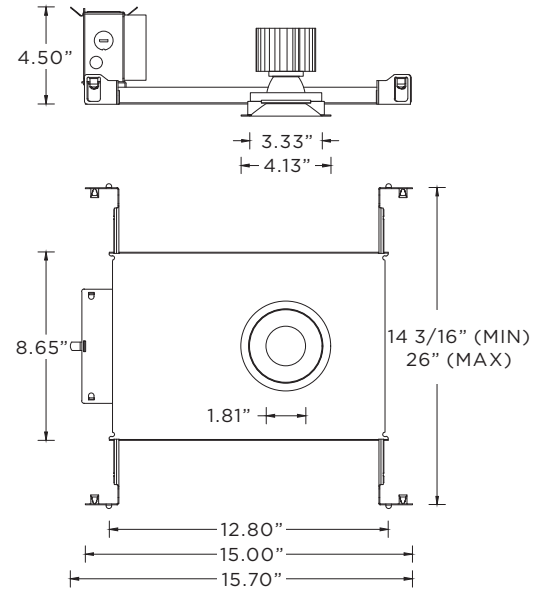
**TRIM HOUSING OPTIONS**

**RMD - Remodel (Non-IC) (3000lm max)**

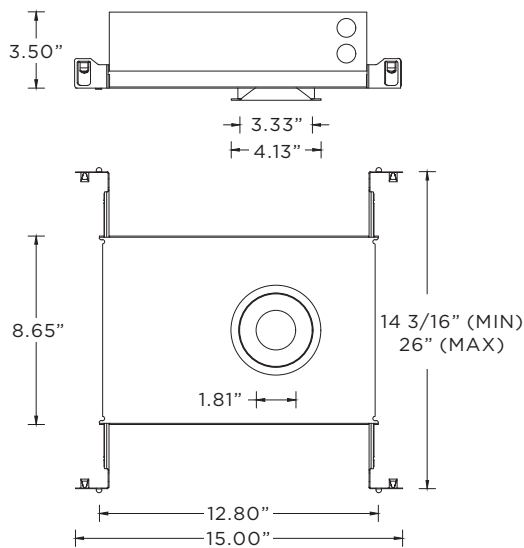
2200lm max



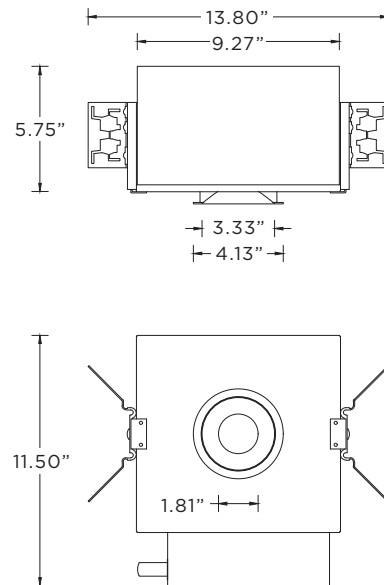
**NCF - New Construction Frame (Non-IC) (3000lm max)**



**SH - Shallow Housing (IC and Chicago Plenum Rated) (2200lm max)**



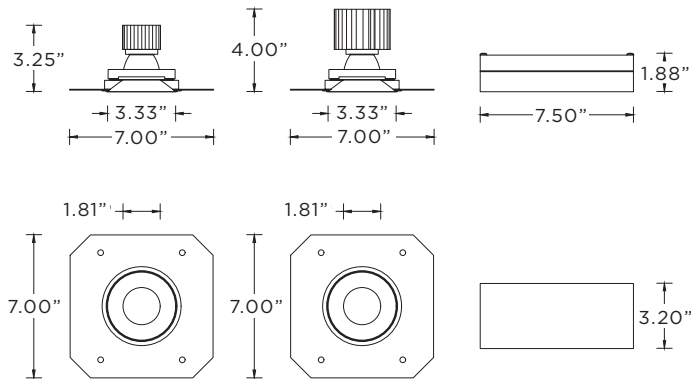
**NC - New Construction Housing (Non-IC) (Chicago Plenum Rated)**



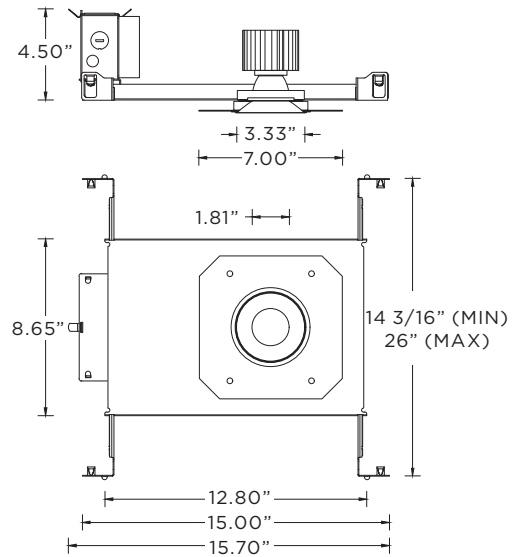
**TRIMLESS HOUSING OPTIONS**

**RMD - Remodel (Non-IC) (3000lm max)**

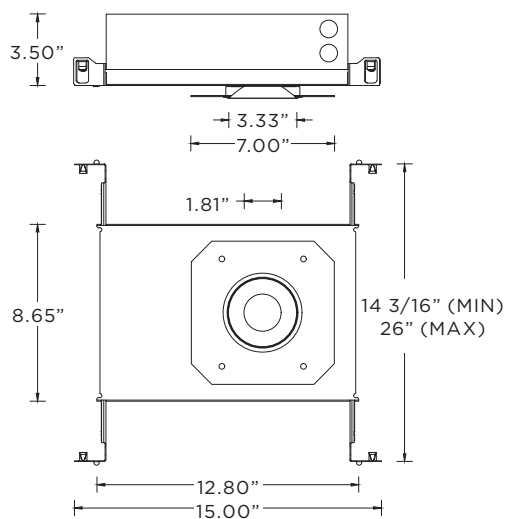
2200lm max



**NCF - New Construction Frame (Non-IC) (3000lm max)**



**SH - Shallow Housing (IC and Chicago Plenum Rated) (2200lm max)**



**NC - New Construction Housing (Non-IC) (Chicago Plenum Rated)**

