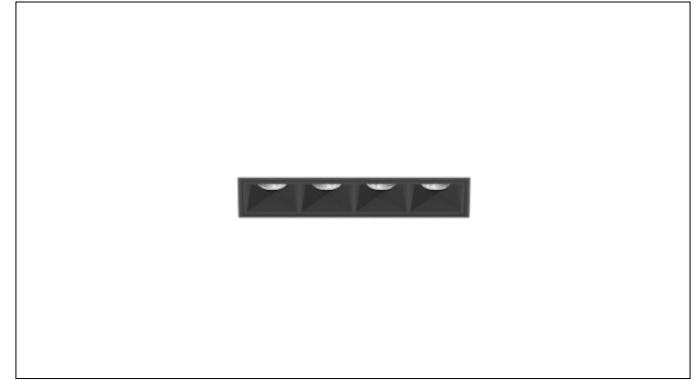
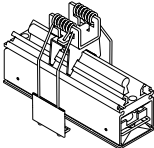
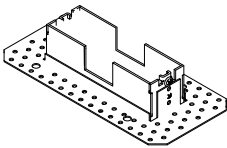
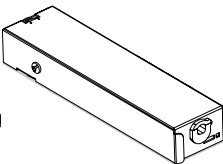
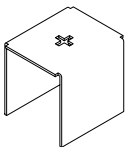
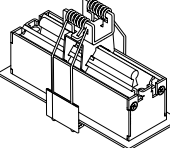
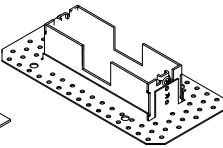
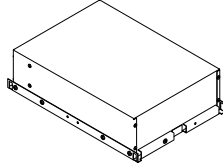
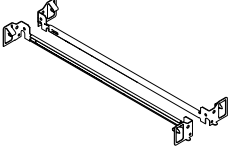
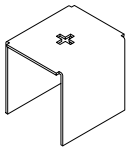








**3G-RMZ1, 3G-RMZ2, 3G-RMZ4, 3G-RMZ4SQ,
3G-RMZ8, 3G-RMZ12**
RECESSED ZONE
TRIMLESS



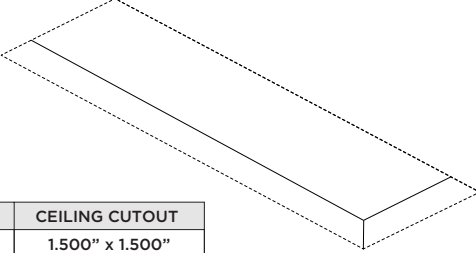
i THE IMAGES SHOWN ARE FOR ILLUSTRATION PURPOSES ONLY AND MAY NOT BE AN EXACT REPRESENTATION OF THE PRODUCT

INCLUDED COMPONENTS			
RMD - REMODEL			
			
LED INSERT	MUDDING FLANGE	DRIVER ENCLOSURE	INSTALLATION JIG (ONLY FOR 4/8/12 LIGHT)
SH - SHALLOW HOUSING (FOR NEW CONSTRUCTION ONLY)			
			
LED INSERT	MUDDING FLANGE	SHALLOW HOUSING	BAR HANGERS
			
		INSTALLATION JIG (ONLY FOR 4/8/12 LIGHT)	

INSTRUCTION KEY	INFORMATION
 ADDITIONAL	INSTALLATION SHOULD ONLY BE PERFORMED BY A CERTIFIED ELECTRICIAN
 ATTENTION	REFER TO LOCAL/NATIONAL CODES FOR PROPER INSTALLATION
 POWER ON	FAILURE TO FOLLOW INSTALLATION INSTRUCTION MAY VOID THE WARRANTY
 POWER OFF	DO NOT TOUCH LEADS. LEADS MUST BE PROTECTED FROM MECHANICAL STRESS OR DEBRIS
	TURN OFF POWER DURING INSTALLATION OR SERVICING

RMD - REMODEL

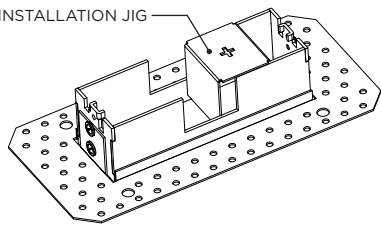
1



FIXTURE TYPE	CEILING CUTOUT
RMZ1	1.500" x 1.500"
RMZ2	1.500" x 2.500"
RMZ4	1.500" x 4.375"
RMZ4SQ	2.700" x 2.700"
RMZ8	1.500" x 8.375"
RMZ12	1.500" x 12.375"

2

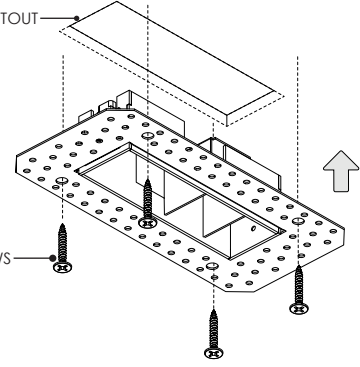
⚠ JIG ONLY APPLICABLE FOR 4/8/12 LIGHT FIXTURES



INSTALLATION JIG

i JIG PREVENTS FRAME FROM BEING BENT OR DISTORTED

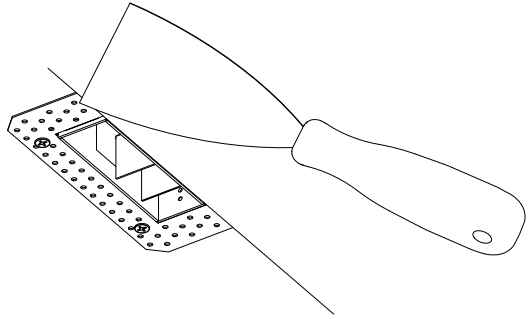
3



CEILING CUTOUT

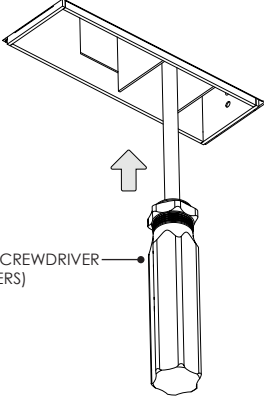
DRYWALL SCREWS (BY OTHERS)

4



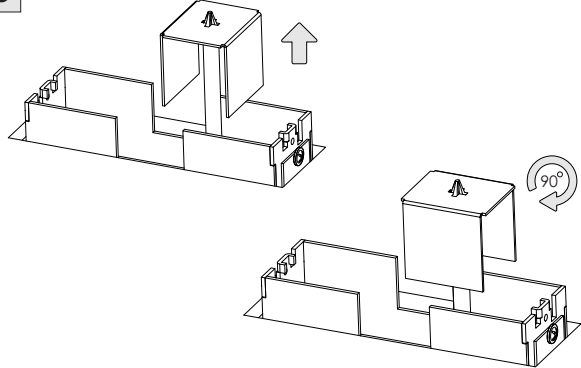
APPLY MUDDING AND FINISH CEILING

5



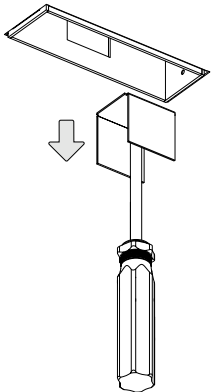
PHILIPS SCREWDRIVER (BY OTHERS)

6

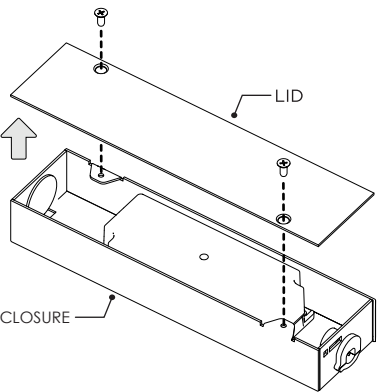


LIFT AND ROTATE JIG 90 DEGREES

7



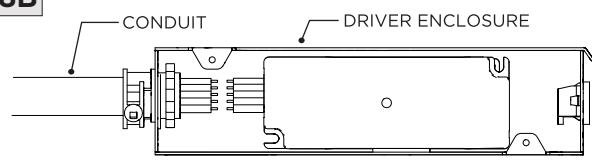
8A



LID

DRIVER ENCLOSURE

8B



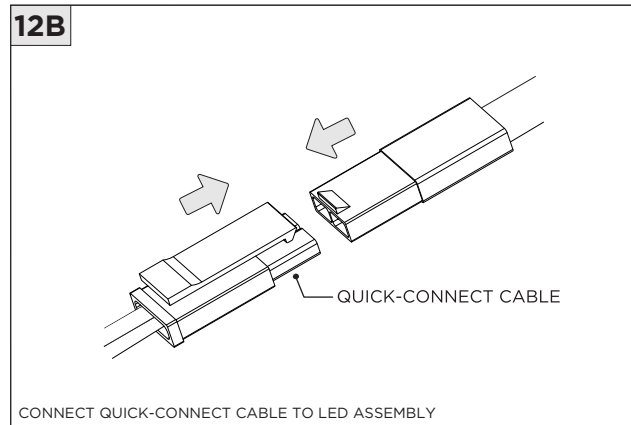
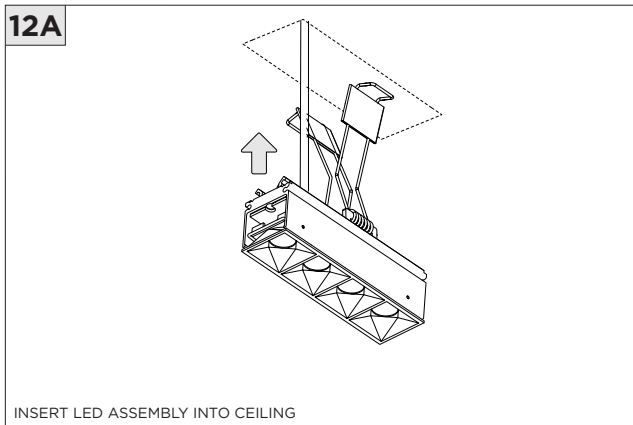
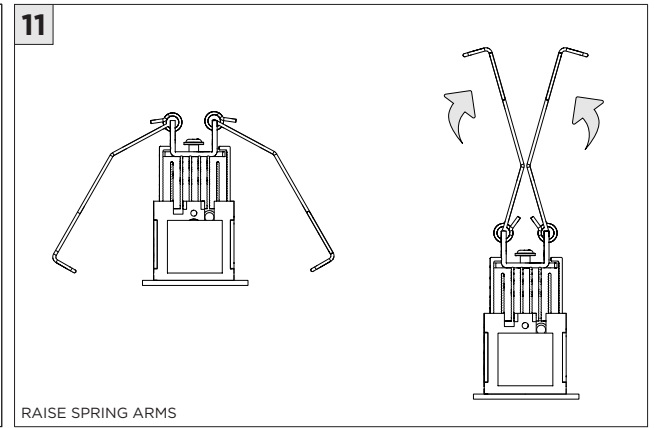
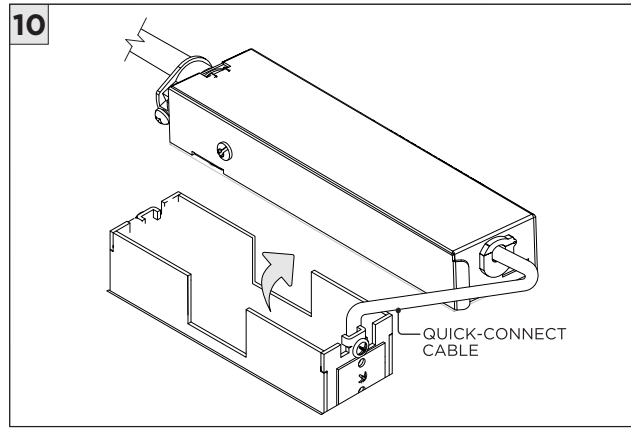
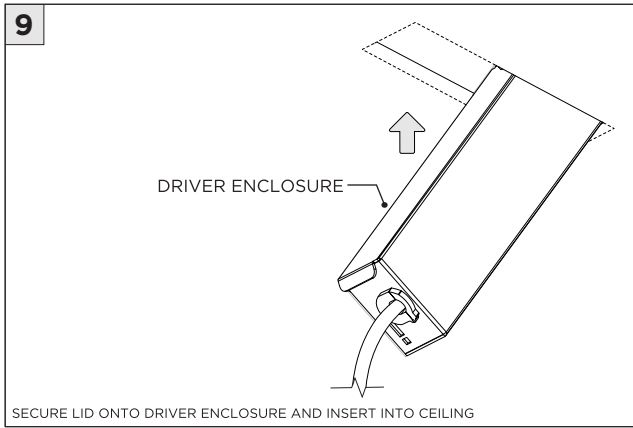
CONDUIT

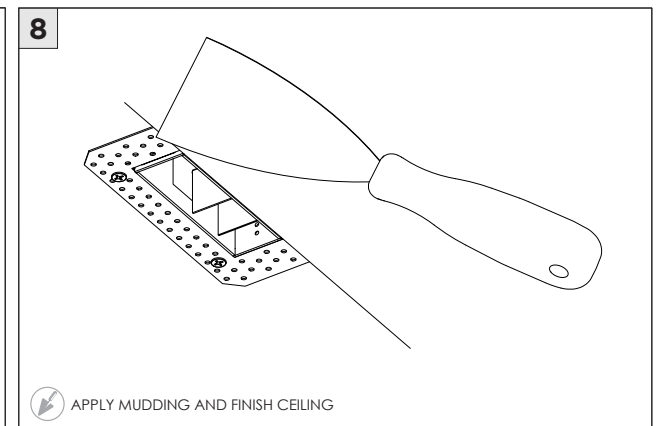
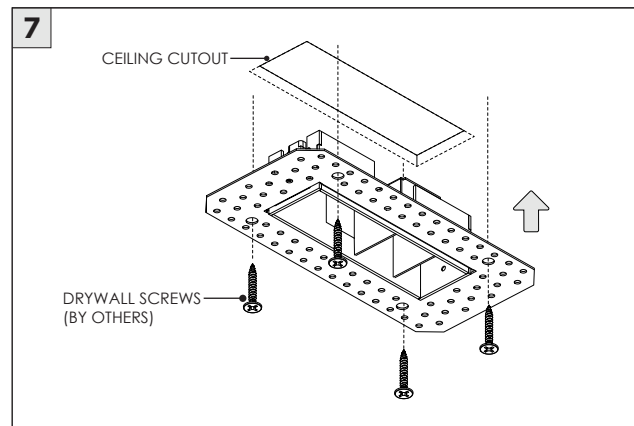
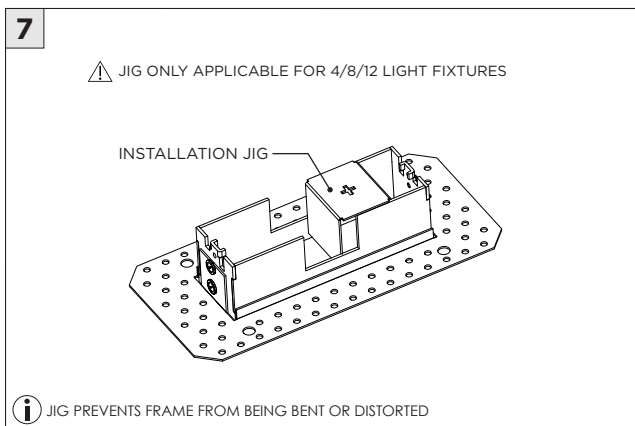
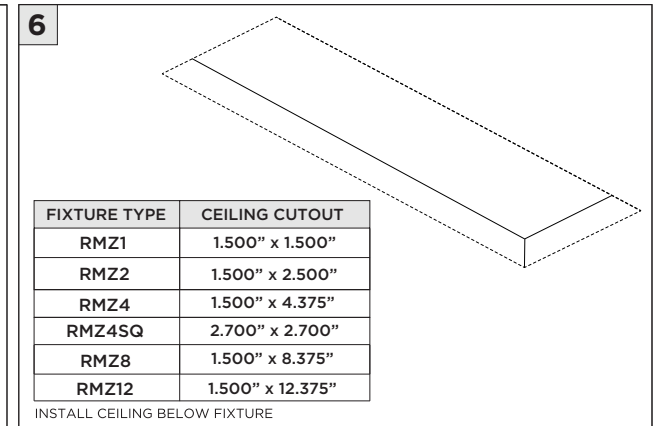
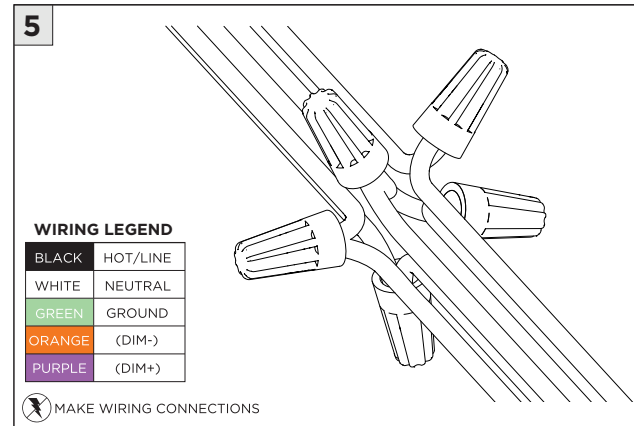
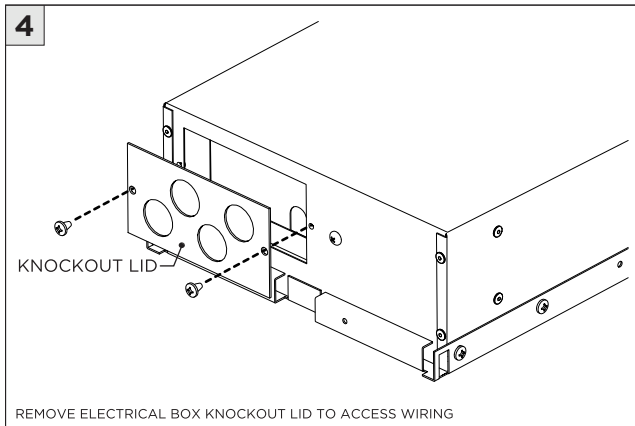
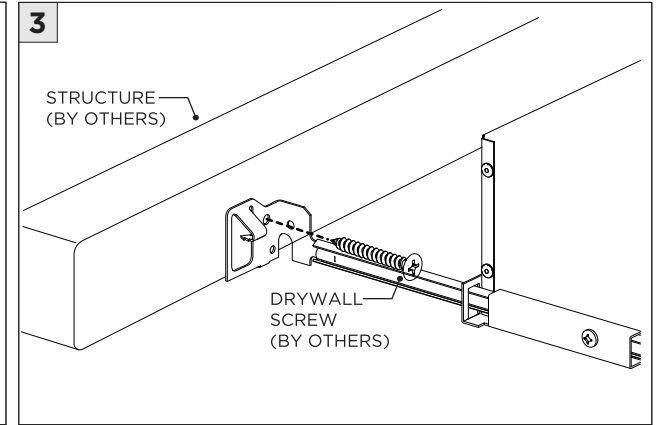
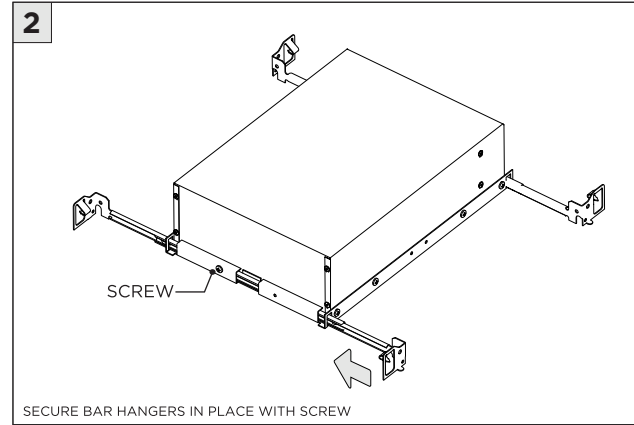
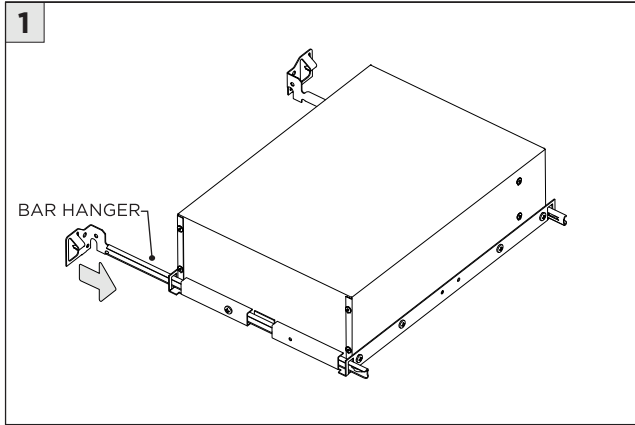
DRIVER ENCLOSURE

WIRING LEGEND

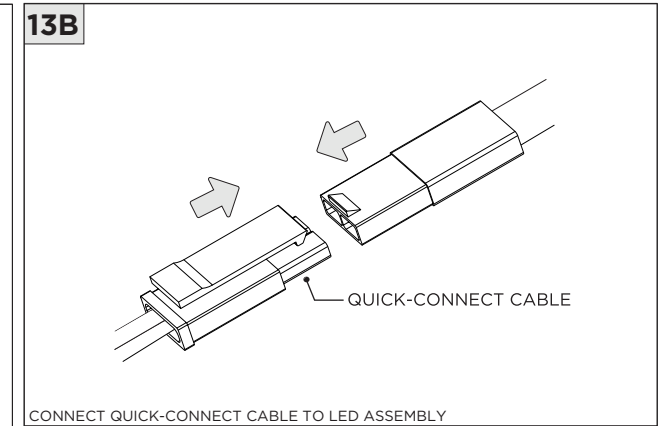
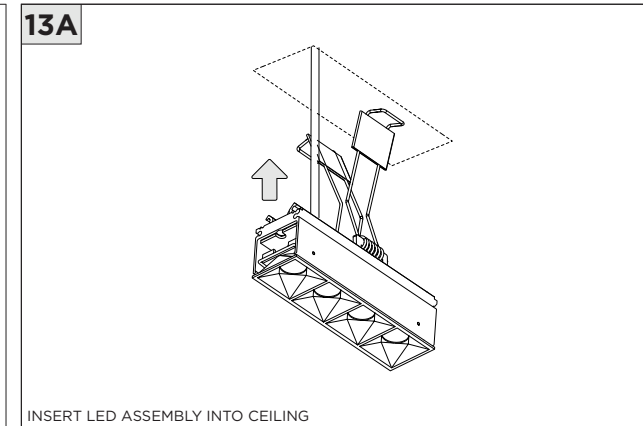
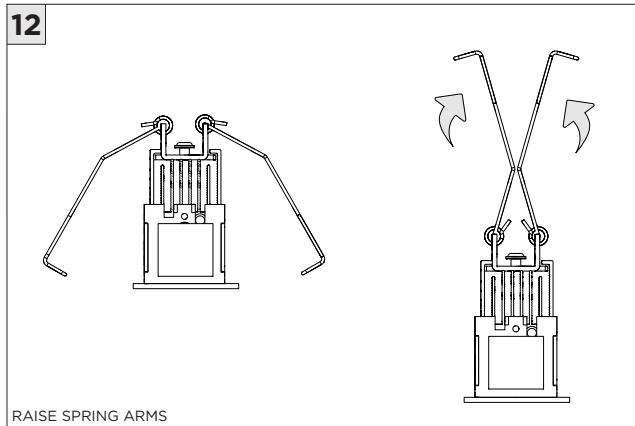
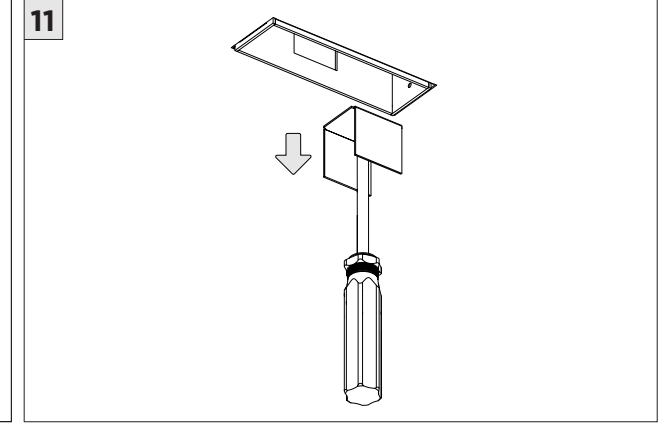
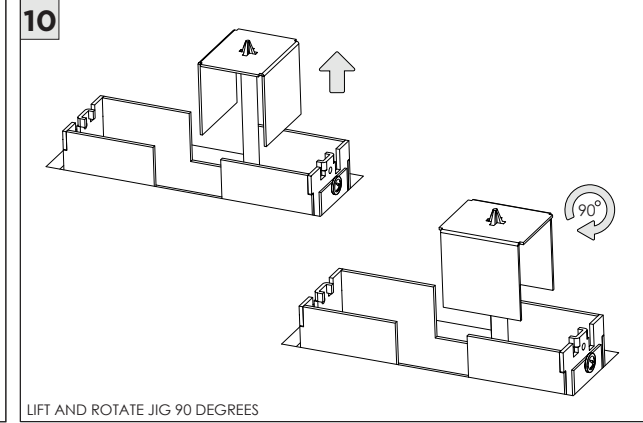
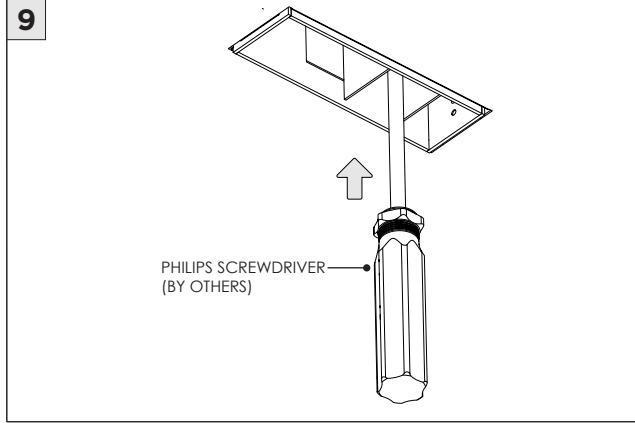
BLACK	HOT/LINE
WHITE	NEUTRAL
GREEN	GROUND
ORANGE	(DIM-)
PURPLE	(DIM+)

⚡ CONNECT CONDUIT TO DRIVER ENCLOSURE AND MAKE WIRING CONNECTIONS



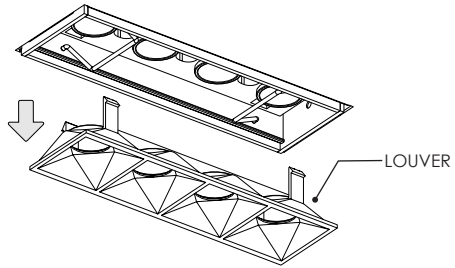


RMD - REMODEL



LED SERVICING

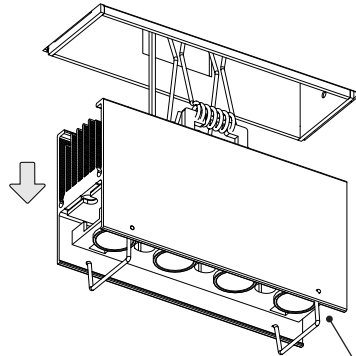
1A



LOUVER

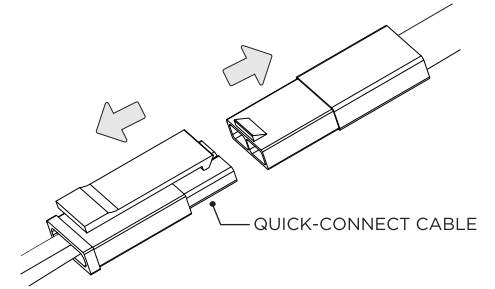
DISCONNECT POWER BEFORE SERVICING

1B



HANDLE

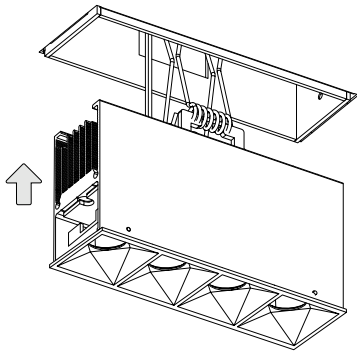
2



QUICK-CONNECT CABLE

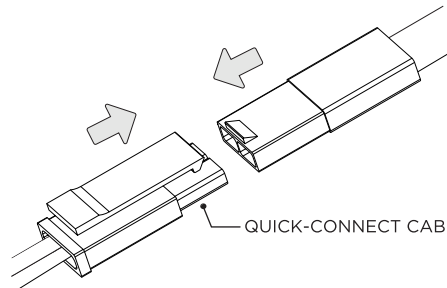
DISCONNECT QUICK-CONNECT CABLE TO LED ASSEMBLY

3



INSERT NEW ZOIE UNIT INTO CEILING

4A

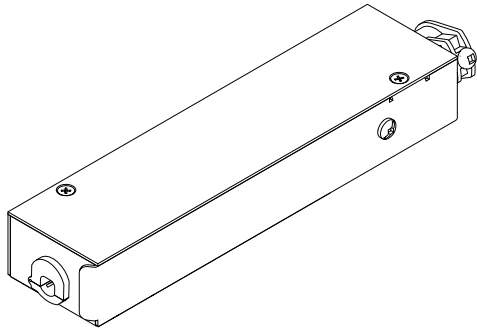


QUICK-CONNECT CABLE

CONNECT QUICK-CONNECT CABLE TO LED ASSEMBLY

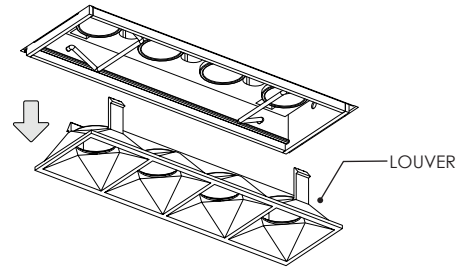
DRIVER SERVICING

1 RMD - REMODEL

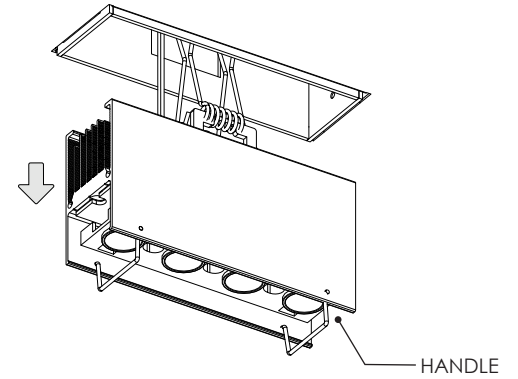


 DISCONNECT POWER BEFORE SERVICING

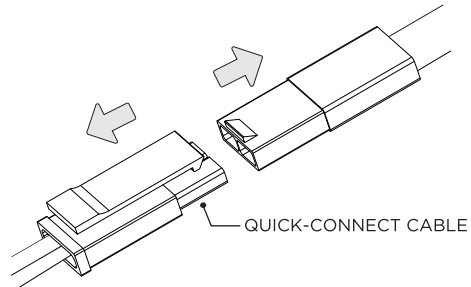
2A



2B

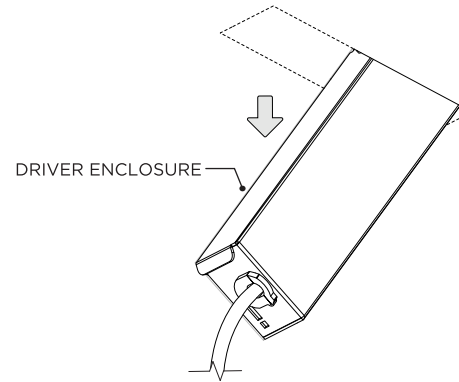


3



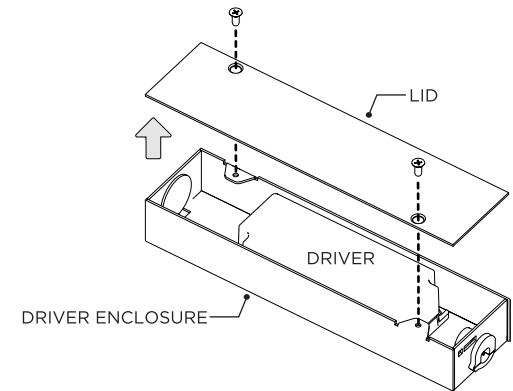
DISCONNECT QUICK-CONNECT CABLE TO LED ASSEMBLY

4



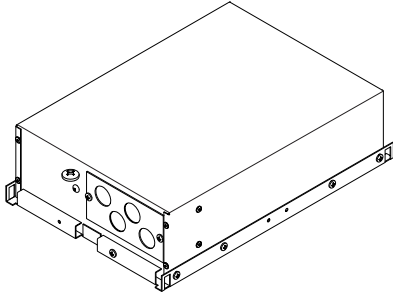
REMOVE DRIVER ENCLOSURE FROM CEILING

5



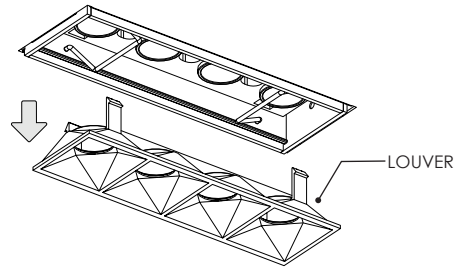
DRIVER SERVICING

1 SH - SHALLOW HOUSING

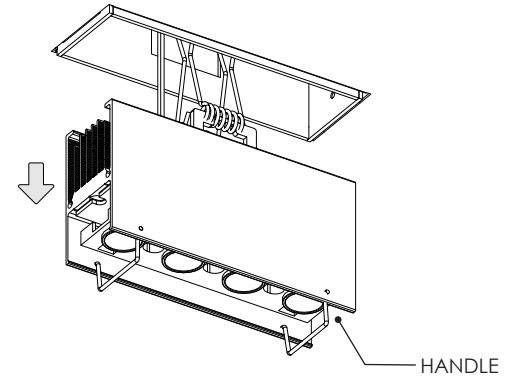


⚡ DISCONNECT POWER BEFORE SERVICING

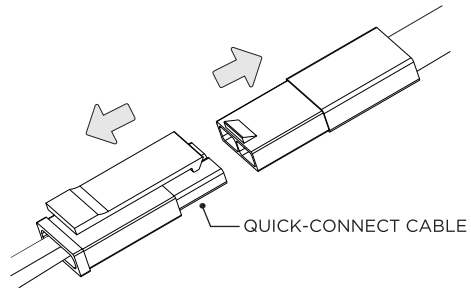
2A



2B

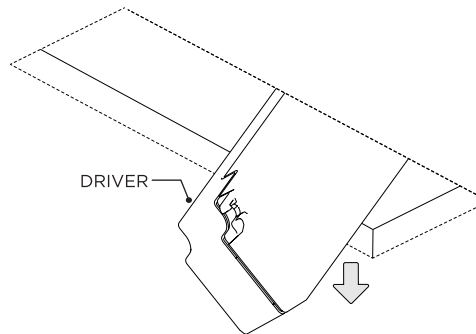


3



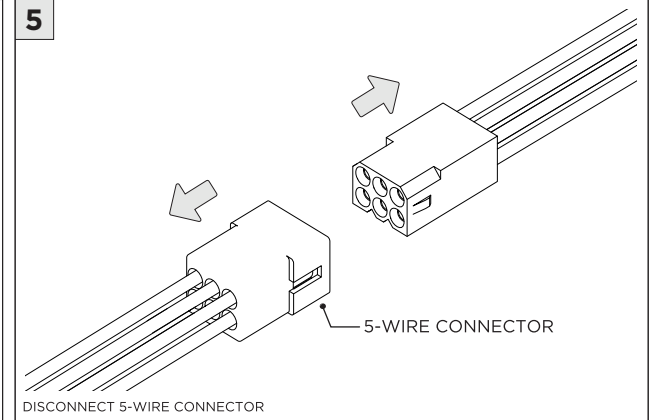
DISCONNECT QUICK-CONNECT CABLE TO LED ASSEMBLY

4



REMOVE DRIVER - SECURED WITH HOOK-AND-LOOP FASTENER

5



DISCONNECT 5-WIRE CONNECTOR