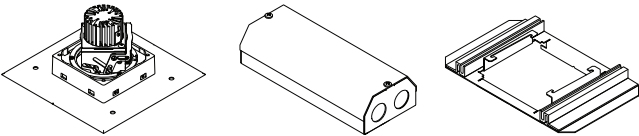
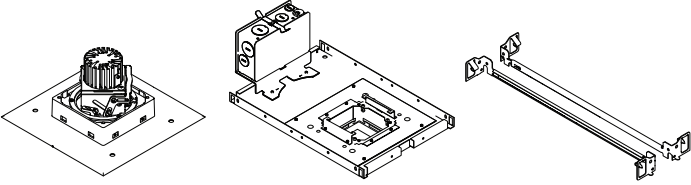
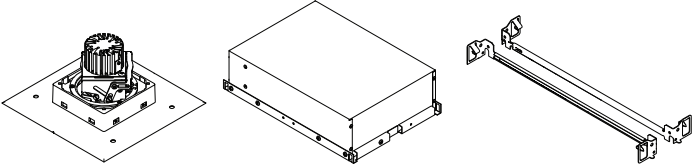
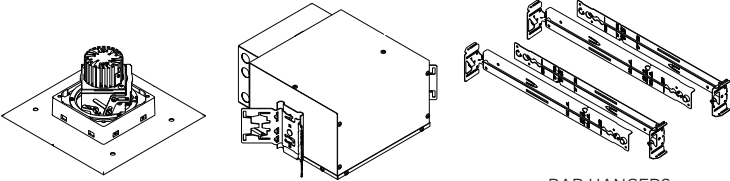
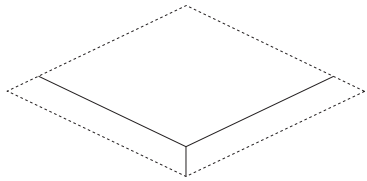


INCLUDED COMPONENTS		
RMD - REMODEL  <p>MUDDING FLANGE + LED INSERT DRIVER ENCLOSURE CEILING PLATE</p>	NCF - NEW CONSTRUCTION FRAME (FOR NEW CONSTRUCTION ONLY)  <p>MUDDING FLANGE + LED INSERT NEW CONSTRUCTION FRAME BAR HANGERS</p>	
SH - SHALLOW HOUSING (FOR NEW CONSTRUCTION ONLY)  <p>MUDDING FLANGE + LED INSERT SHALLOW HOUSING BAR HANGERS</p>	NC/IC - NEW CONSTRUCTION HOUSING (FOR NEW CONSTRUCTION ONLY)  <p>MUDDING FLANGE + LED INSERT NEW CONSTRUCTION HOUSING BAR HANGERS (OPTIONAL)</p>	

INSTRUCTION KEY	INFORMATION	
⚠	ADDITIONAL	INSTALLATION SHOULD ONLY BE PERFORMED BY A CERTIFIED ELECTRICIAN
i	ATTENTION	REFER TO LOCAL/NATIONAL CODES FOR PROPER INSTALLATION
⚡	POWER ON	FAILURE TO FOLLOW INSTALLATION INSTRUCTION MAY VOID THE WARRANTY
⚡	POWER OFF	DO NOT TOUCH LEADS. LEADS MUST BE PROTECTED FROM MECHANICAL STRESS OR DEBRIS
		TURN OFF POWER DURING INSTALLATION OR SERVICING

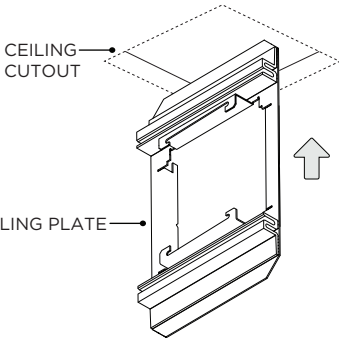
RMD - REMODEL

1



FIXTURE TYPE	CEILING HOLE SIZE
DL33SA	3.9375 x 3.9375
DL40SA	5.0625 x 5.0625

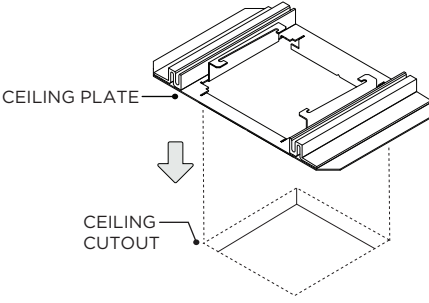
2



CEILING CUTOUT

CEILING PLATE

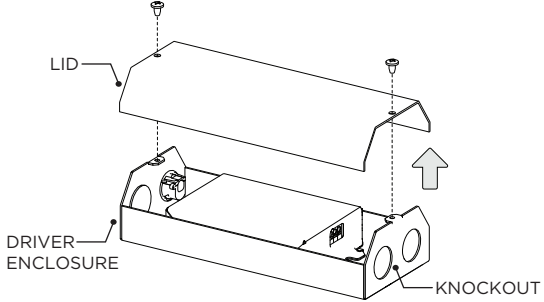
3



CEILING PLATE

CEILING CUTOUT

4



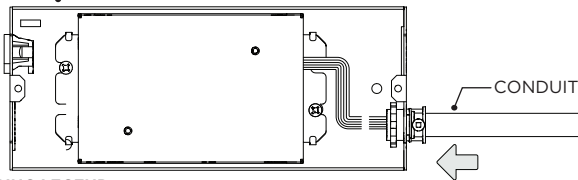
LID

DRIVER ENCLOSURE

KNOCKOUT

REMOVE LID AND KNOCKOUT FROM DRIVER ENCLOSURE

5



DRIVER ENCLOSURE

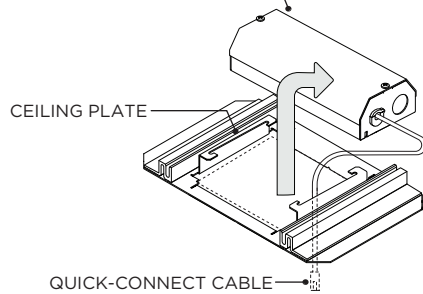
CONDUIT

WIRING LEGEND

BLACK	HOT/LINE
WHITE	NEUTRAL
GREEN	GROUND
ORANGE	(DIM-)
PURPLE	(DIM+)

CONNECT CONDUIT TO DRIVER ENCLOSURE AND MAKE WIRING CONNECTIONS

6



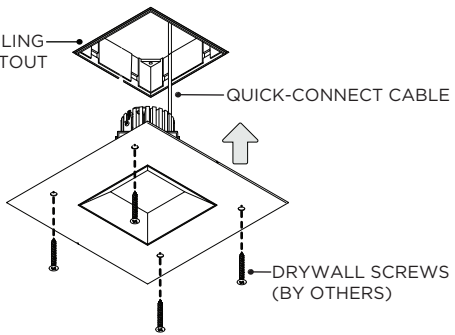
DRIVER ENCLOSURE

CEILING PLATE

QUICK-CONNECT CABLE

SECURE LID ONTO DRIVER ENCLOSURE AND PLACE ABOVE CEILING

7

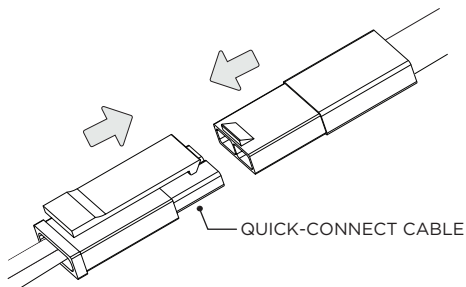


CEILING CUTOUT

QUICK-CONNECT CABLE

DRYWALL SCREWS (BY OTHERS)

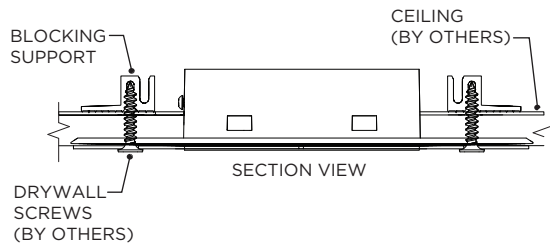
8



QUICK-CONNECT CABLE

CONNECT SAFETY CABLE & QUICK-CONNECT CABLE TO LED ASSEMBLY

9

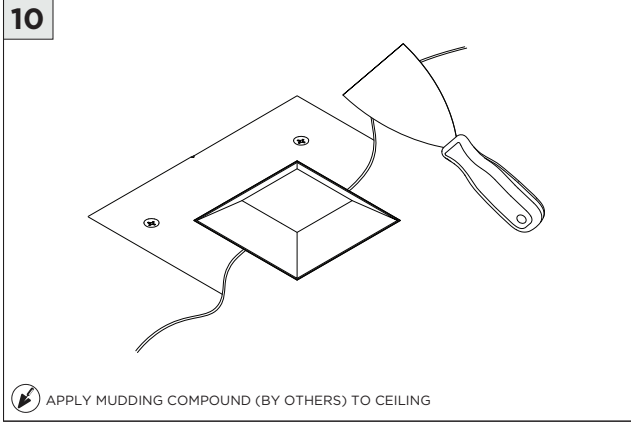


BLOCKING SUPPORT

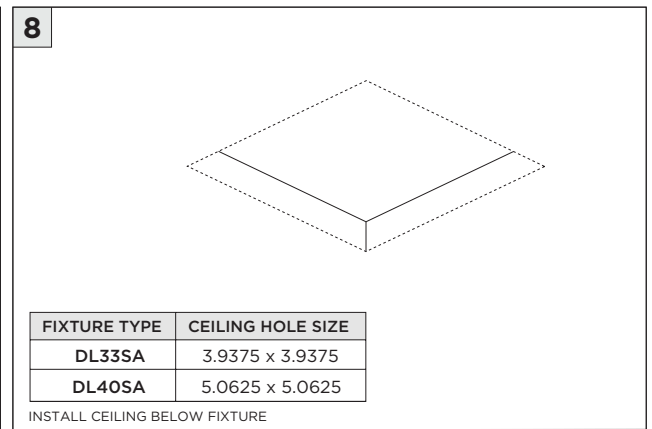
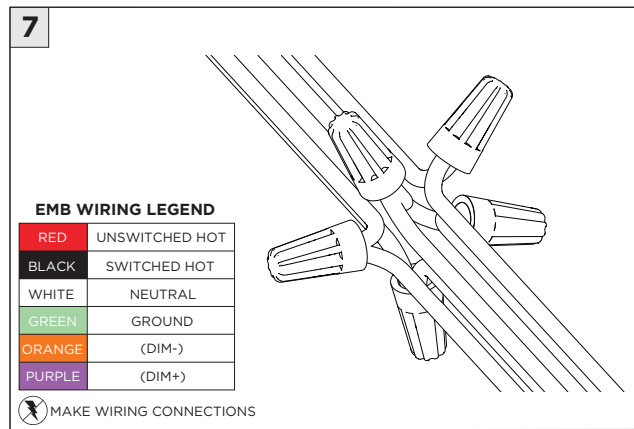
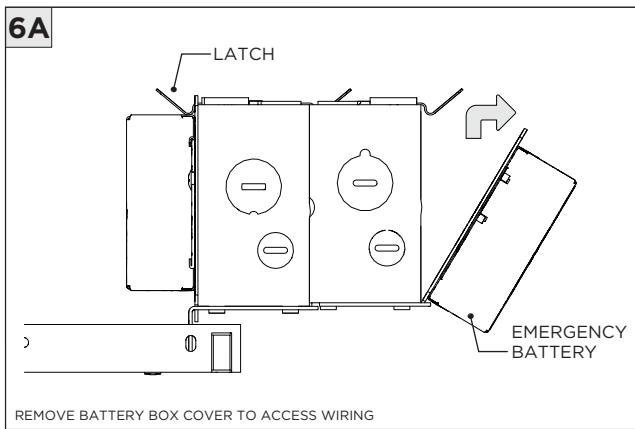
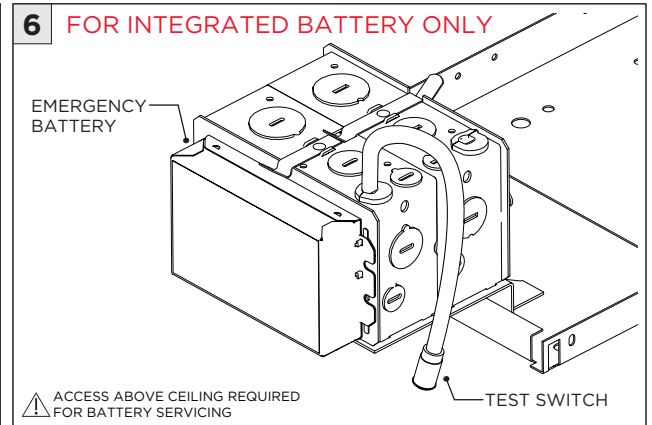
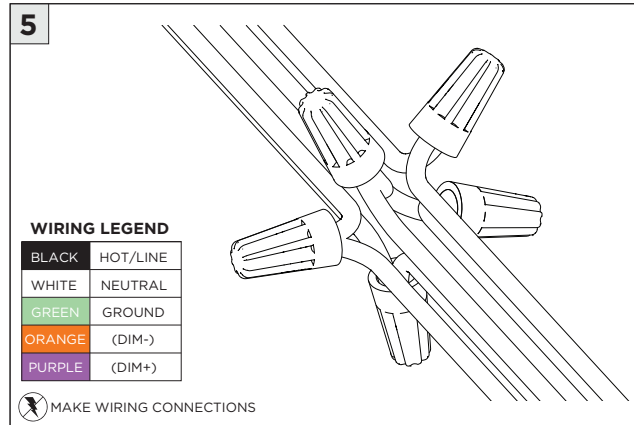
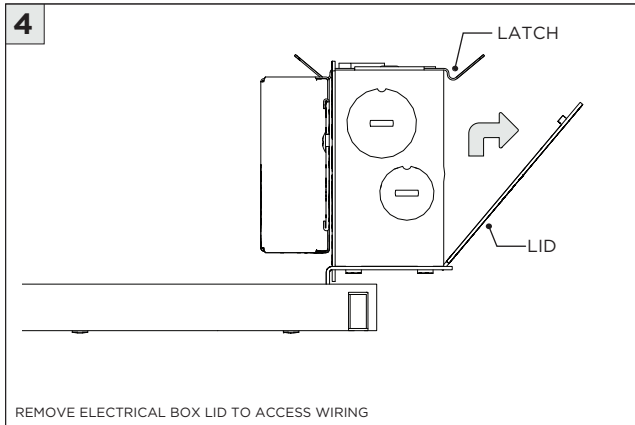
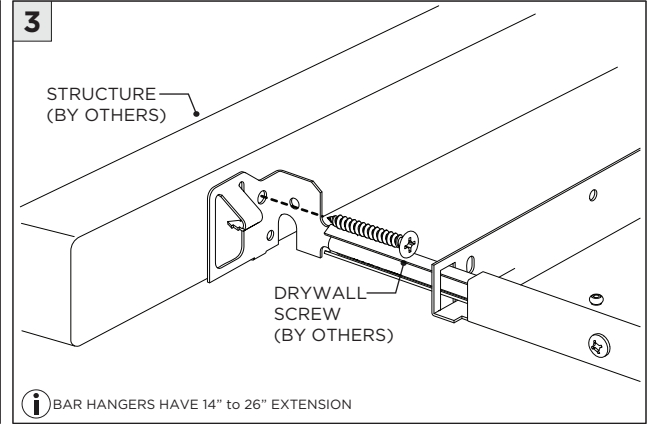
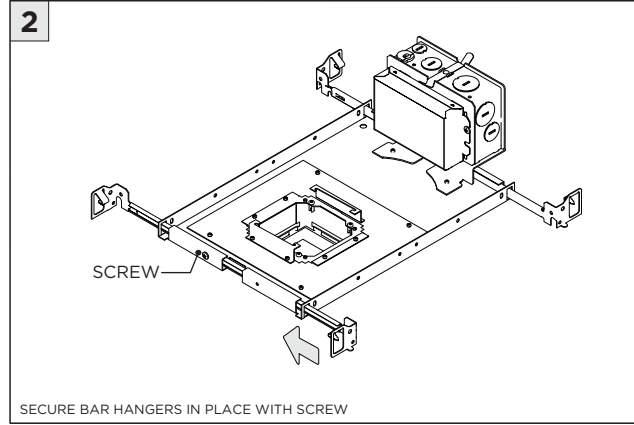
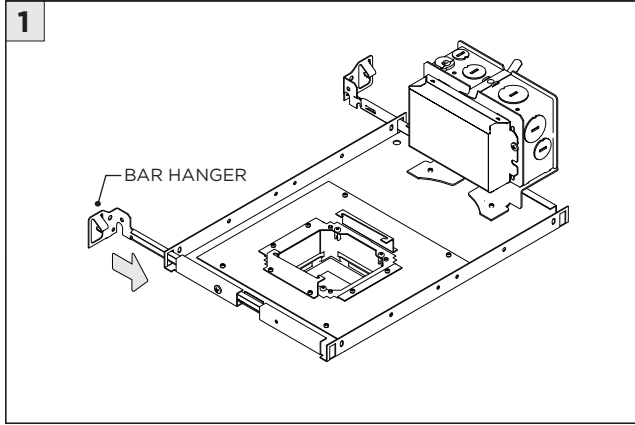
CEILING (BY OTHERS)

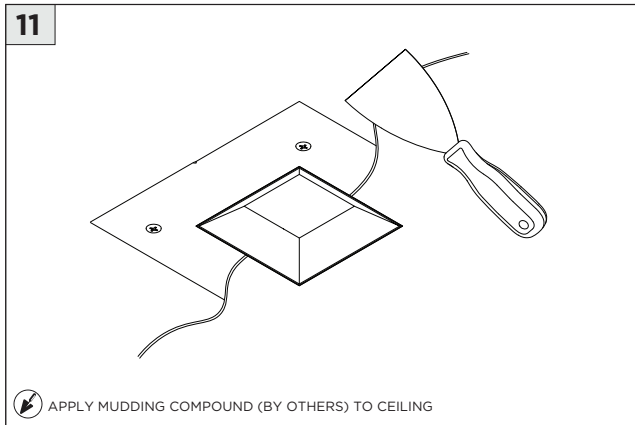
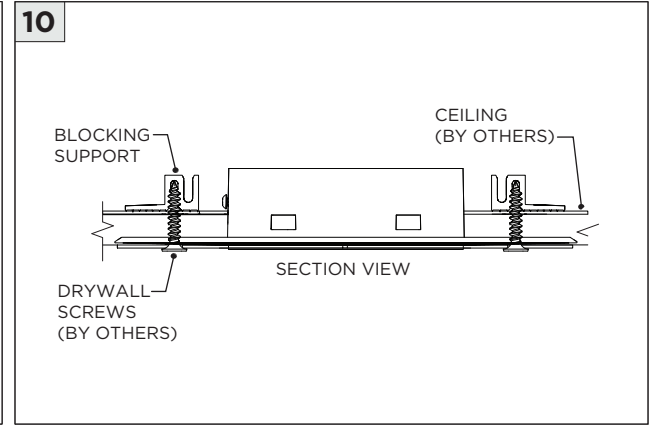
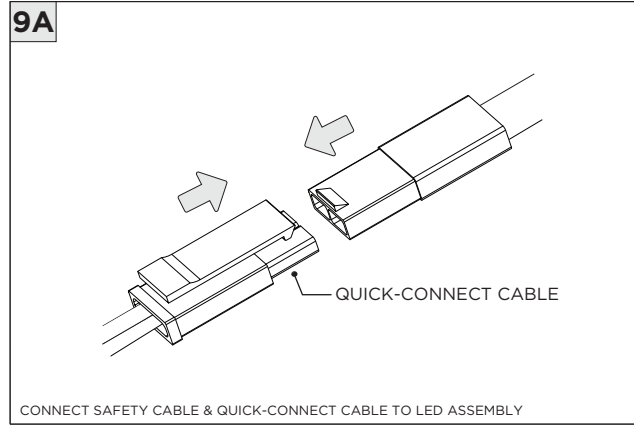
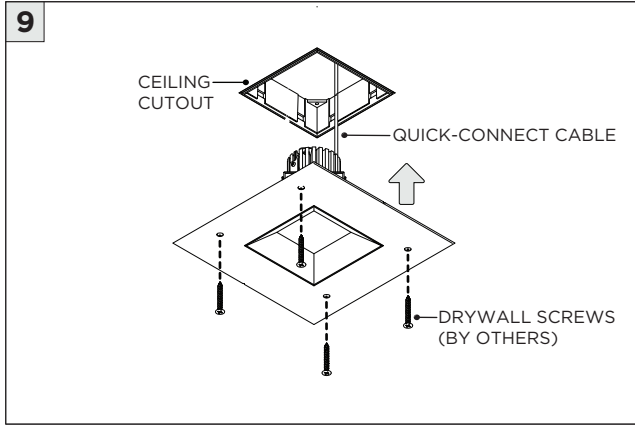
SECTION VIEW

DRYWALL SCREWS (BY OTHERS)

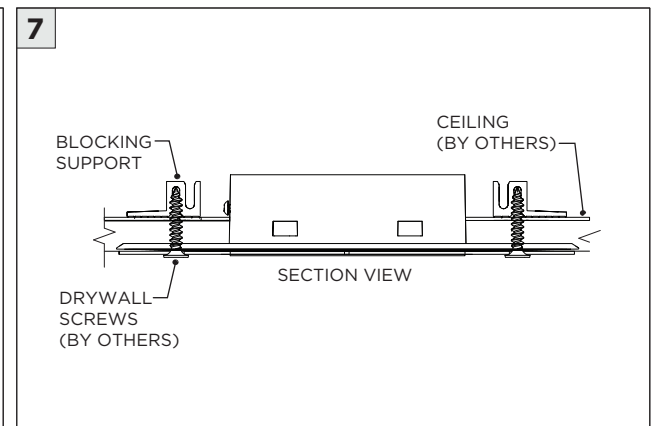
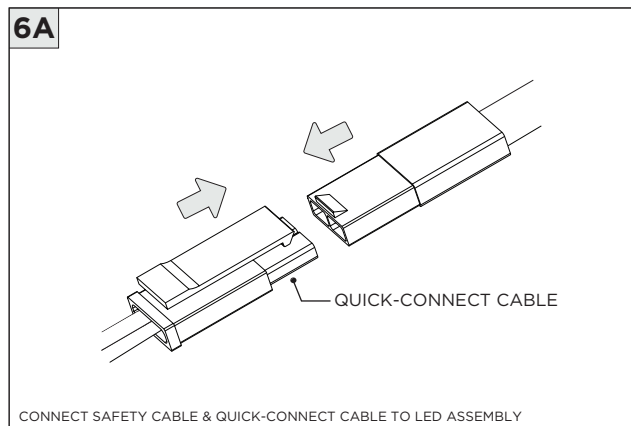
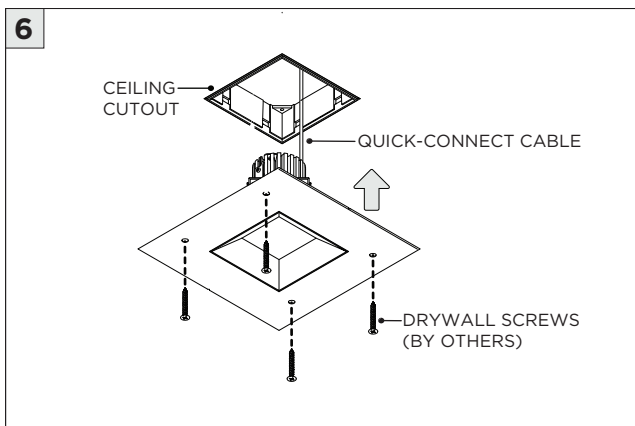
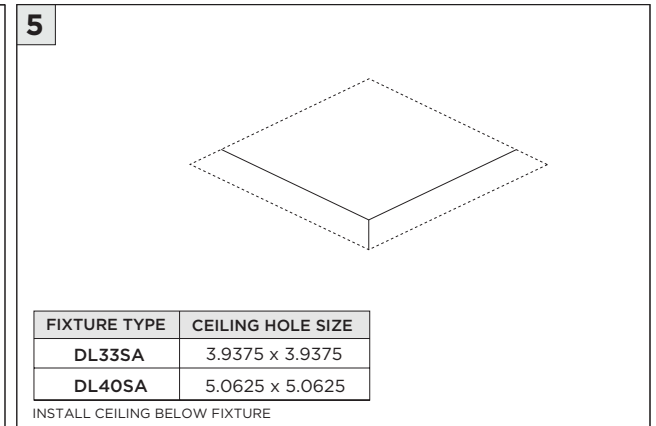
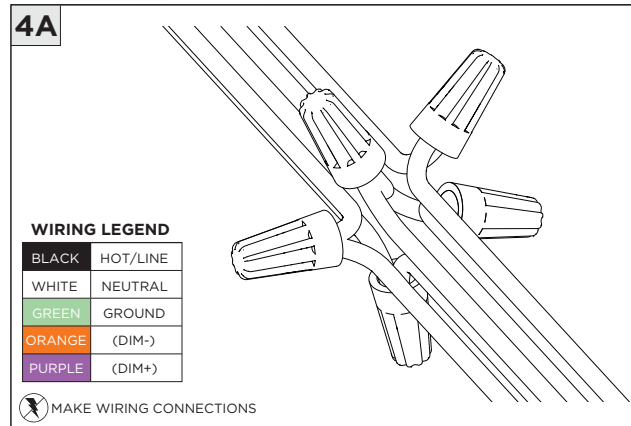
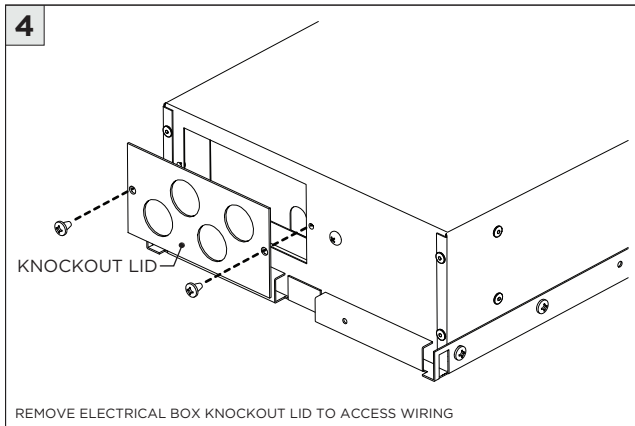
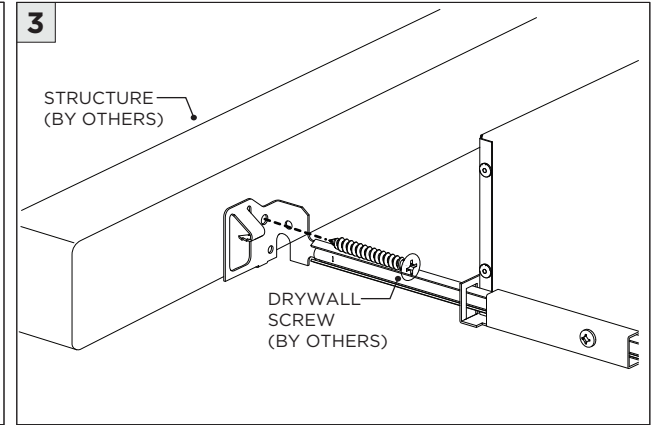
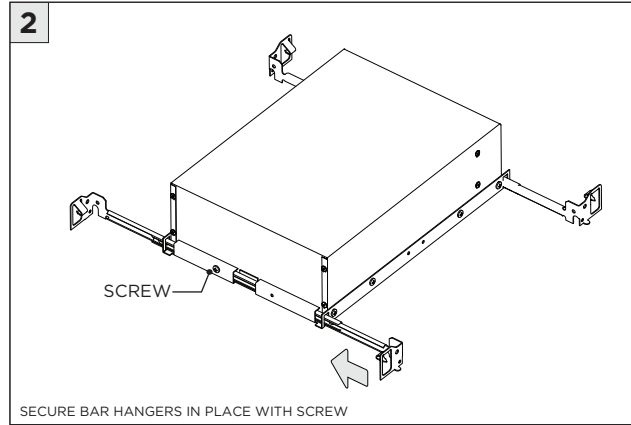
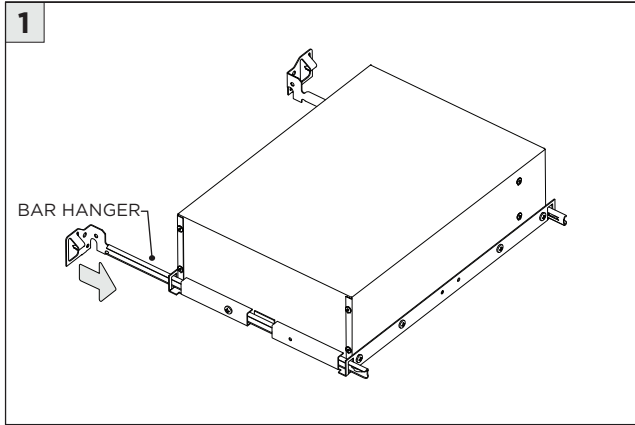


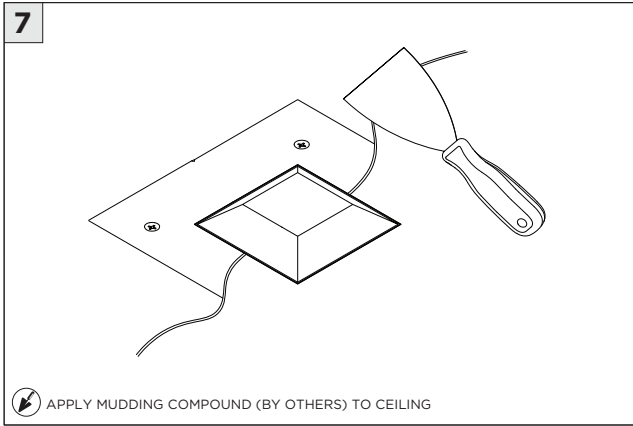
NCF - NEW CONSTRUCTION FRAME (FOR NEW CONSTRUCTION ONLY)





SH - SHALLOW HOUSING (FOR NEW CONSTRUCTION ONLY)





NC/IC - NEW CONSTRUCTION HOUSING (FOR NEW CONSTRUCTION ONLY)

1 BAR HANGER INSTALLATION
(IF SUPPLIED BY 3G)

BAR HANGER (OPTIONAL)

1A

STRUCTURE (BY OTHERS)

DRYWALL SCREW (BY OTHERS)

2 OTHER BAR HANGER INSTALLATION
(NOT PROVIDED BY 3G)

FURRING STRIP CHANNEL

POSITION 5/8" - 3/4" BAR HANGERS

1/2" EMT (x2)

1/2"x 1-1/2" CHANNEL

2 POSITIONS FOR 1/2" BAR HANGERS

BUTTERFLY BRACKET SIDE VIEW

3

KNOCKOUT LID

REMOVE ELECTRICAL BOX KNOCKOUT LID TO ACCESS WIRING

3A

WIRING LEGEND

BLACK	HOT/LINE
WHITE	NEUTRAL
GREEN	GROUND
ORANGE	(DIM-)
PURPLE	(DIM+)

MAKE WIRING CONNECTIONS

4

FIXTURE TYPE	CEILING HOLE SIZE
DL33SA	3.9375 x 3.9375
DL40SA	5.0625 x 5.0625

INSTALL CEILING BELOW FIXTURE

5

CEILING CUTOUT

QUICK-CONNECT CABLE

DRYWALL SCREWS (BY OTHERS)

5A

QUICK-CONNECT CABLE

CONNECT SAFETY CABLE & QUICK-CONNECT CABLE TO LED ASSEMBLY

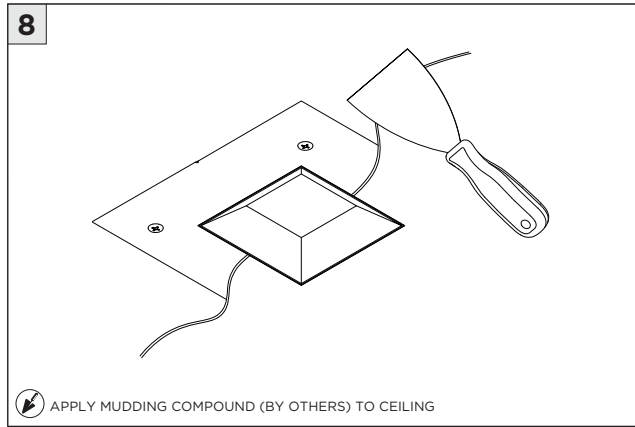
6

BLOCKING SUPPORT

CEILING (BY OTHERS)

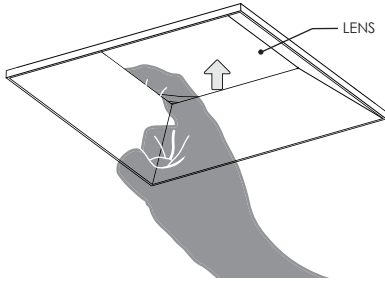
DRYWALL SCREWS (BY OTHERS)

SECTION VIEW



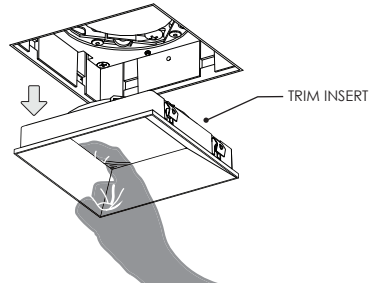
ADJUSTING LED ANGLE

1

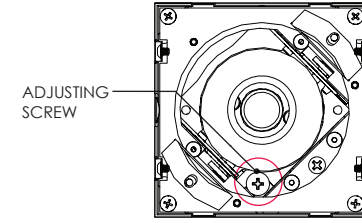


LIFT LENS AND DETACH INSERT FROM ADAPTER RING

1A

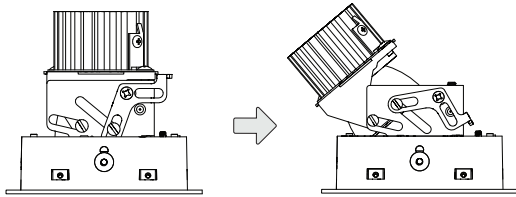


2

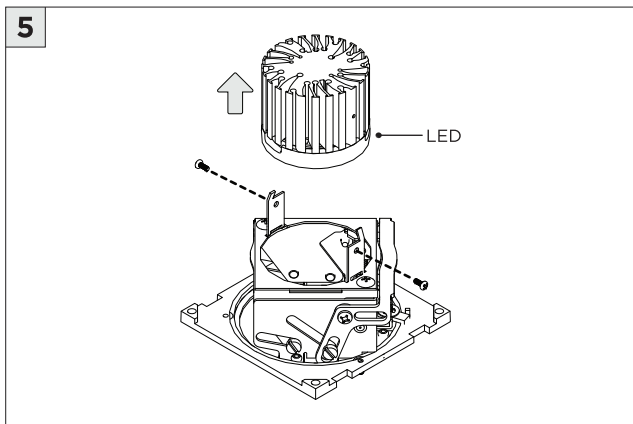
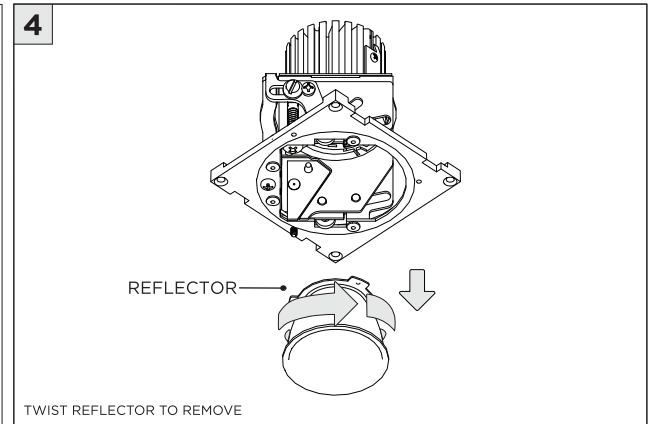
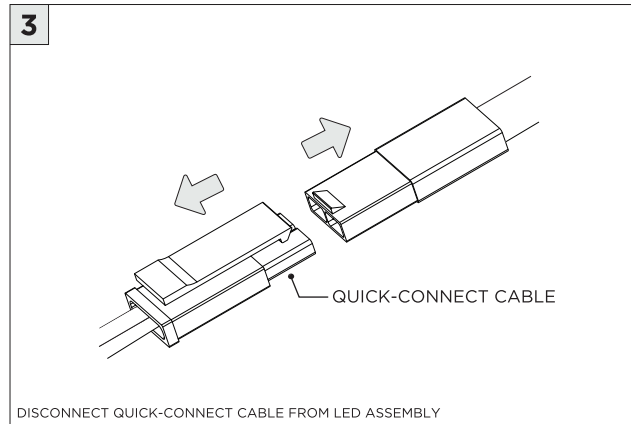
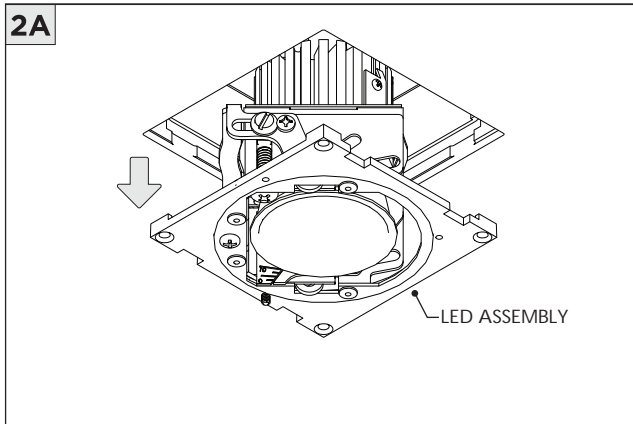
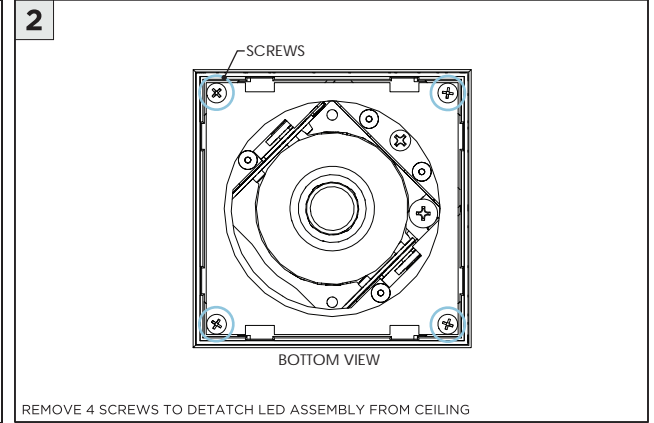
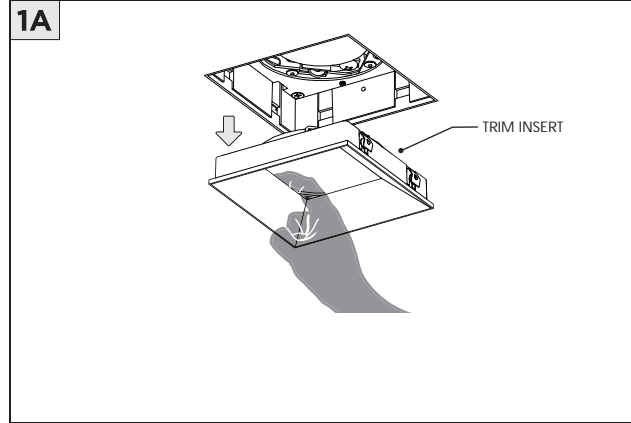
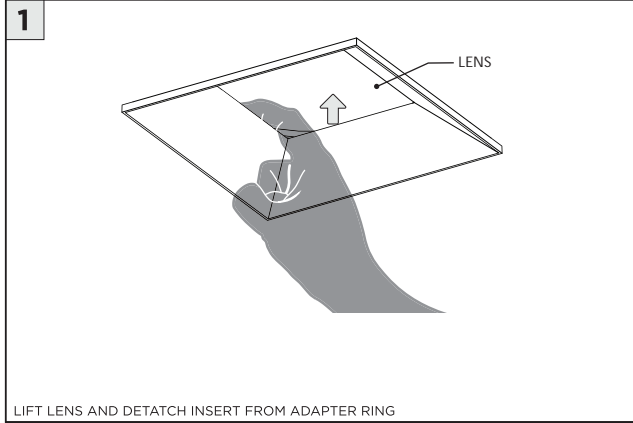


BOTTOM VIEW

2A

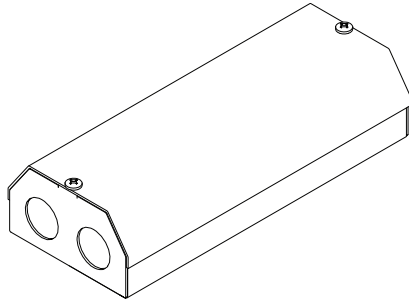


LED SERVICING



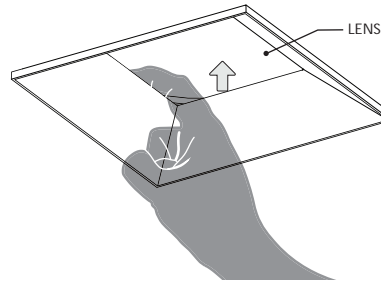
DRIVER SERVICING

1 RMD - REMODEL



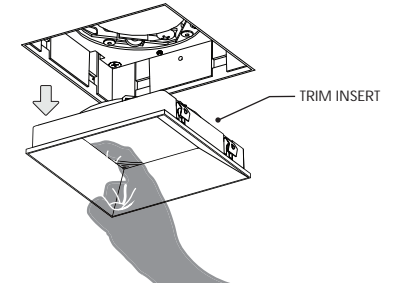
DISCONNECT POWER BEFORE SERVICING

2

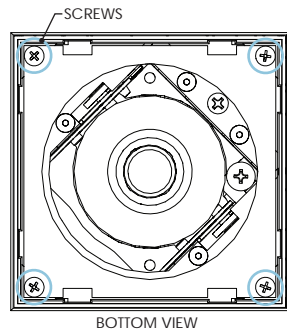


LIFT LENS AND DETACH INSERT FROM ADAPTER RING

2A

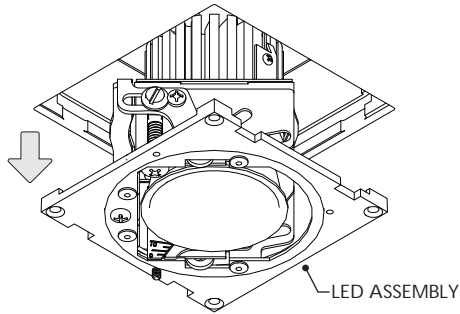


3

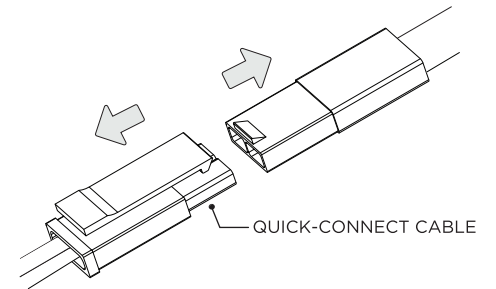


REMOVE 4 SCREWS TO DETATCH LED ASSEMBLY FROM CEILING

3A

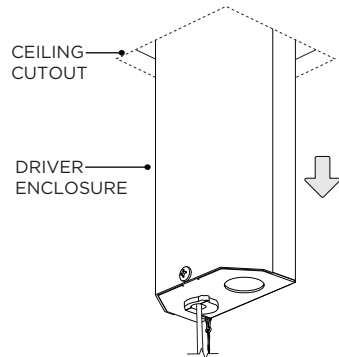


4

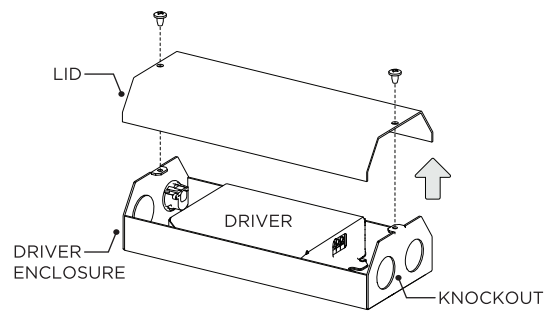


DISCONNECT SAFETY CABLE & QUICK-CONNECT CABLE FROM LED ASSEMBLY

4A

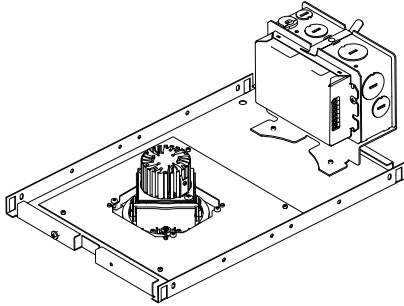


5



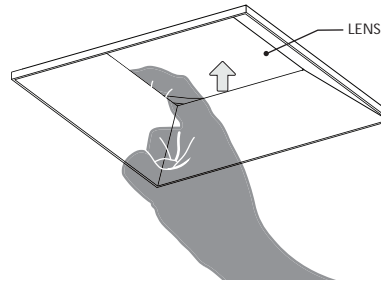
DRIVER SERVICING

1 NCF - NEW CONSTRUCTION FRAME



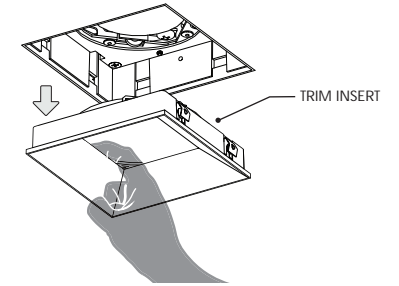
DISCONNECT POWER BEFORE SERVICING

2

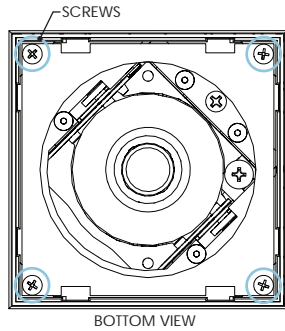


LIFT LENS AND DETACH INSERT FROM ADAPTER RING

2A



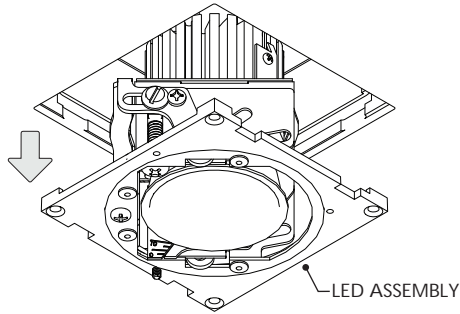
3



BOTTOM VIEW

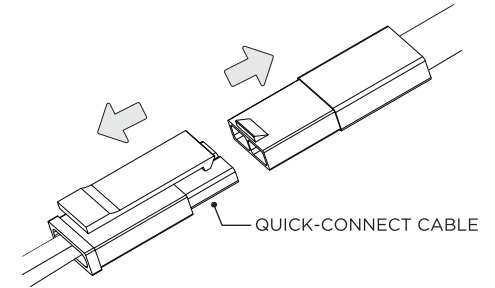
REMOVE 4 SCREWS TO DETACH LED ASSEMBLY FROM CEILING

4



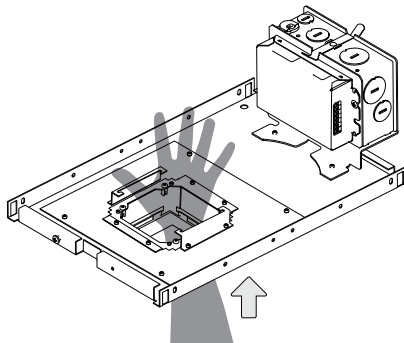
LED ASSEMBLY

5

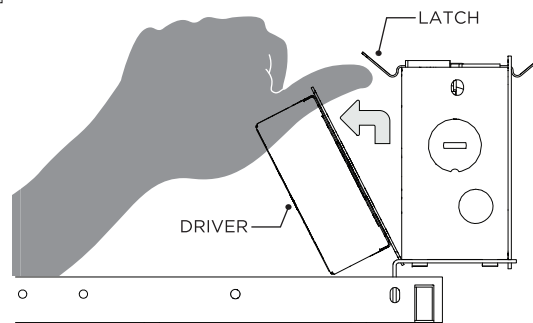


DISCONNECT QUICK-CONNECT CABLE FROM LED ASSEMBLY

6

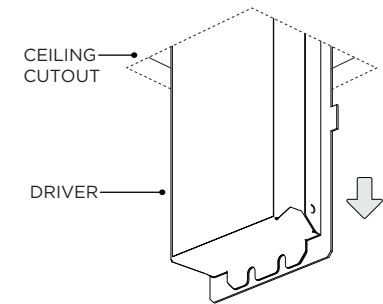


7



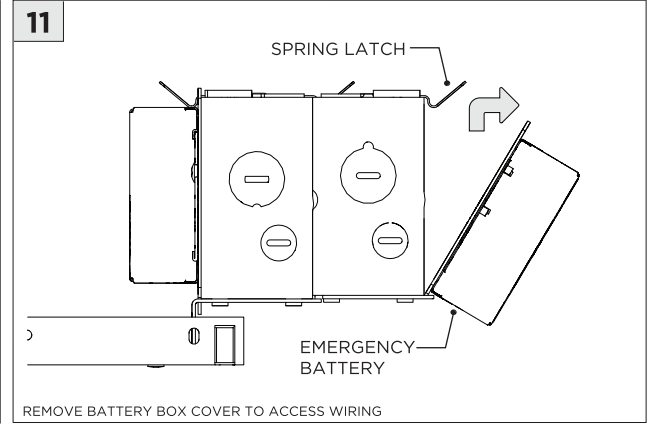
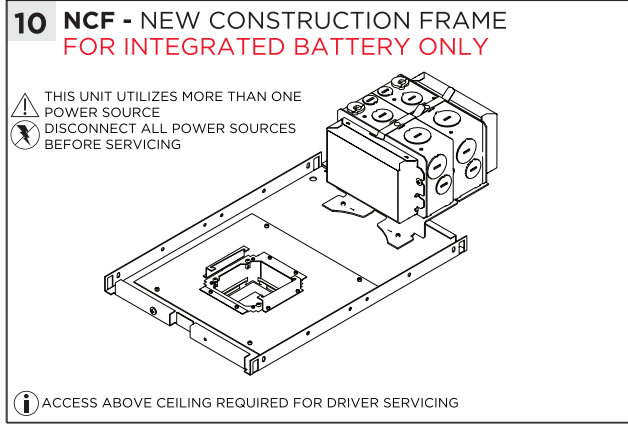
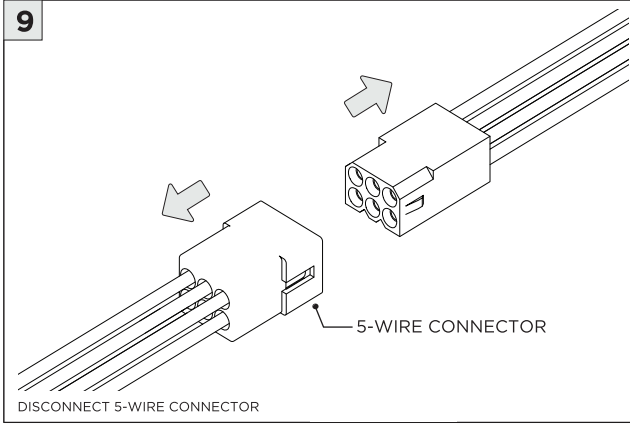
DRIVER

8



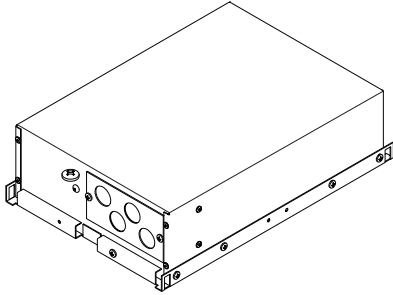
CEILING CUTOUT

DRIVER



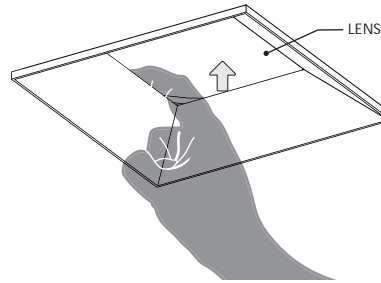
DRIVER SERVICING

1 SH - SHALLOW HOUSING



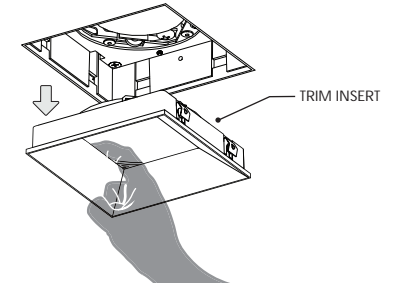
DISCONNECT POWER BEFORE SERVICING

2

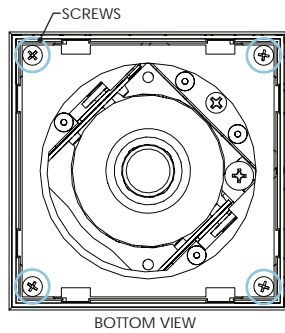


LIFT LENS AND DETACH INSERT FROM ADAPTER RING

2A

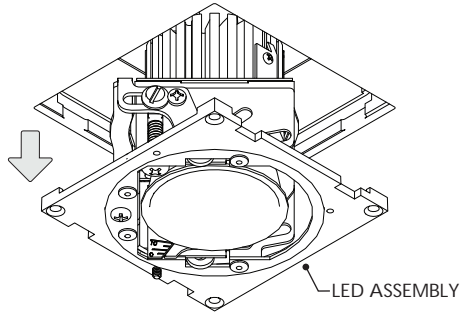


3

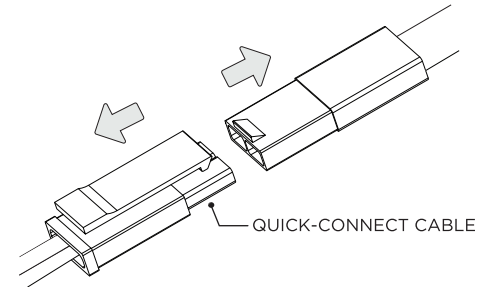


REMOVE 4 SCREWS TO DETATCH LED ASSEMBLY FROM CEILING

4

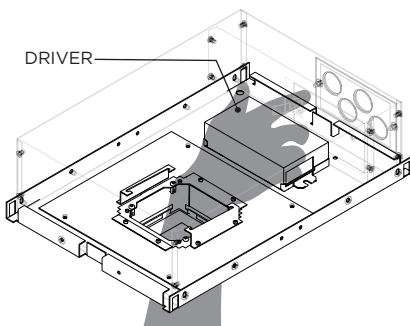


5



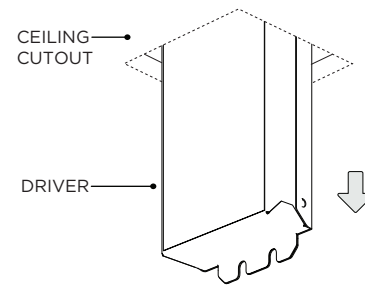
DISCONNECT QUICK-CONNECT CABLE FROM LED ASSEMBLY

6

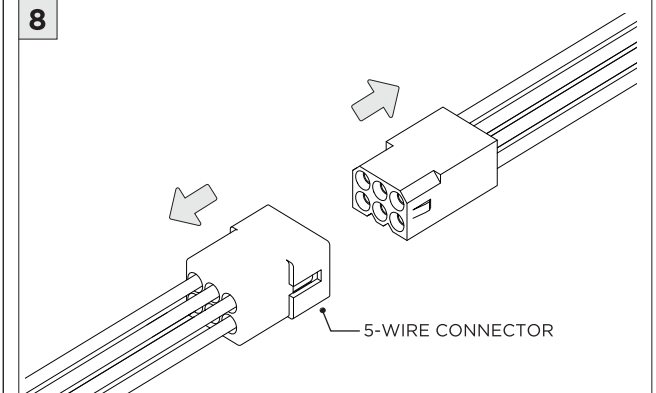


REMOVE DRIVER - SECURED WITH HOOK-AND-LOOP FASTENER

7



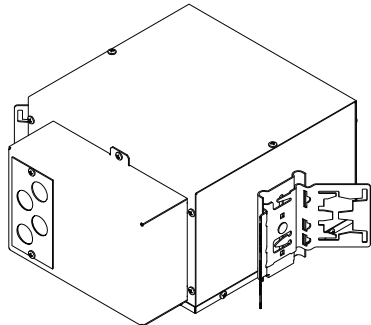
8



DISCONNECT 5-WIRE CONNECTOR

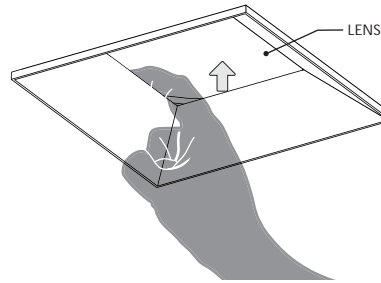
DRIVER SERVICING

1 NC/iC - NEW CONSTRUCTION HOUSING



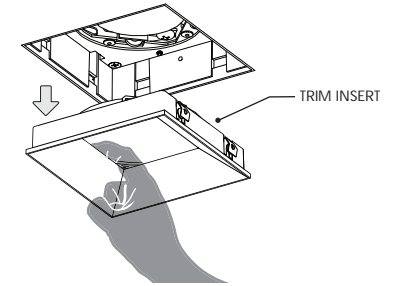
DISCONNECT POWER BEFORE SERVICING

2

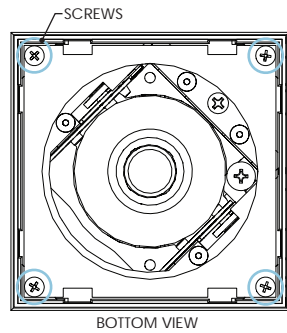


LIFT LENS AND DETACH INSERT FROM ADAPTER RING

2A

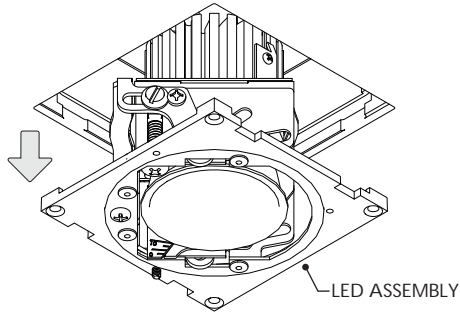


3

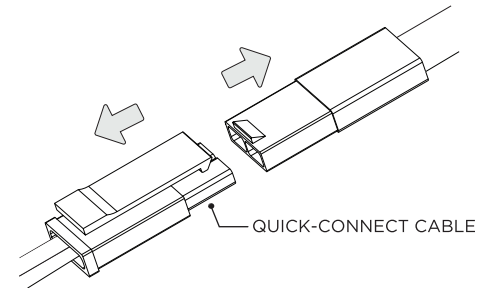


REMOVE 4 SCREWS TO DETATCH LED ASSEMBLY FROM CEILING

4

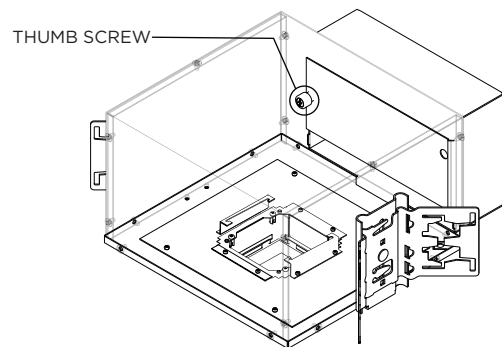


5

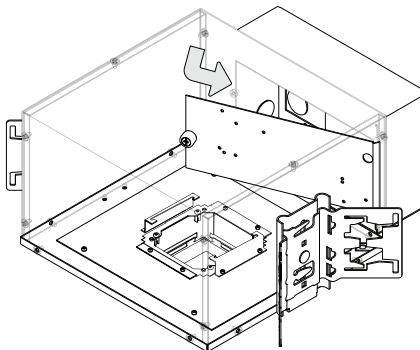


DISCONNECT QUICK-CONNECT CABLE FROM LED ASSEMBLY

6



7



8

