

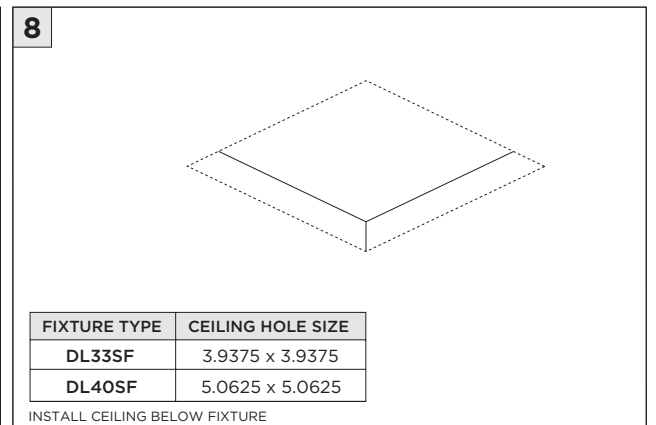
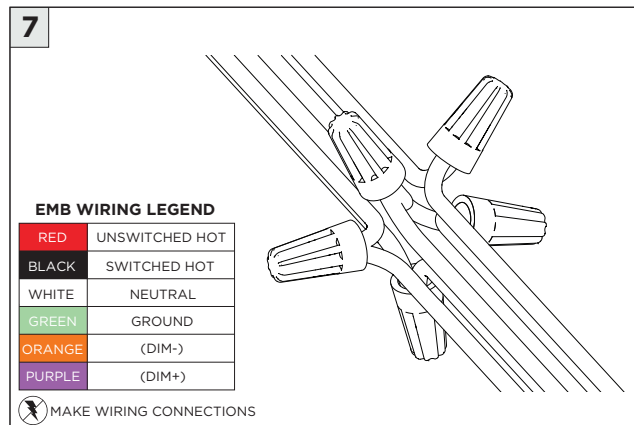
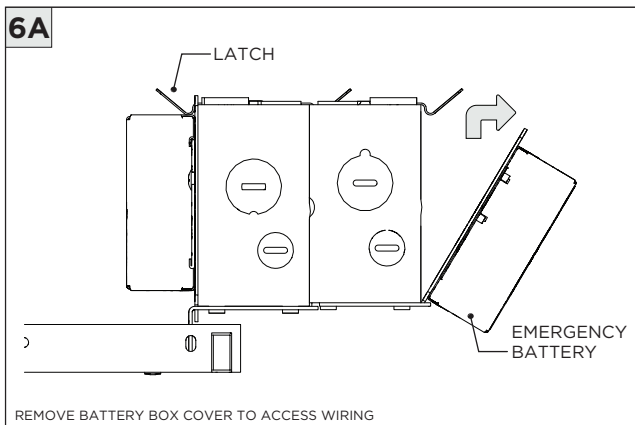
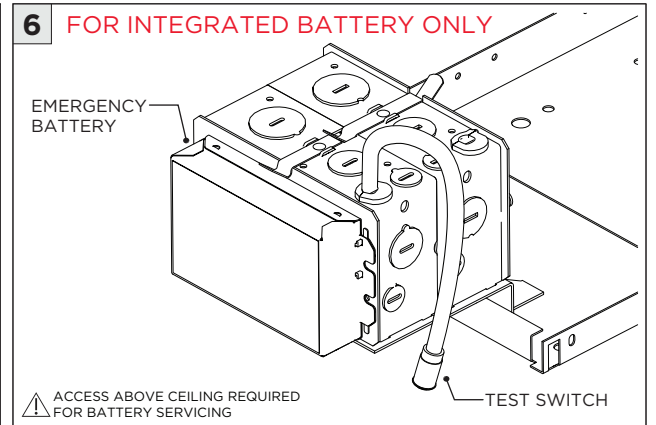
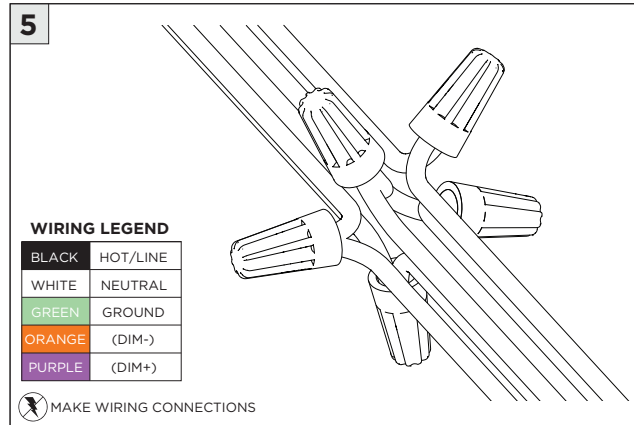
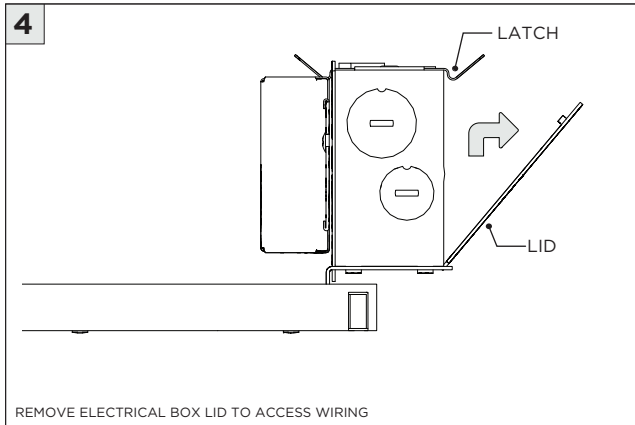
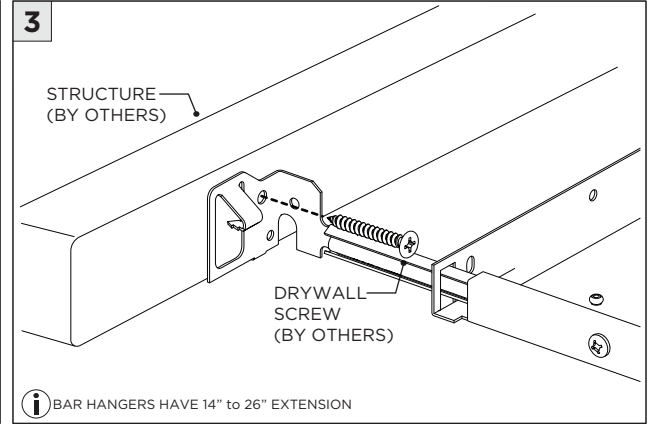
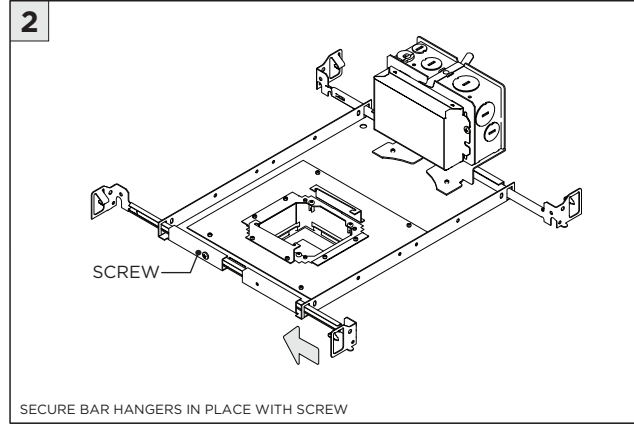
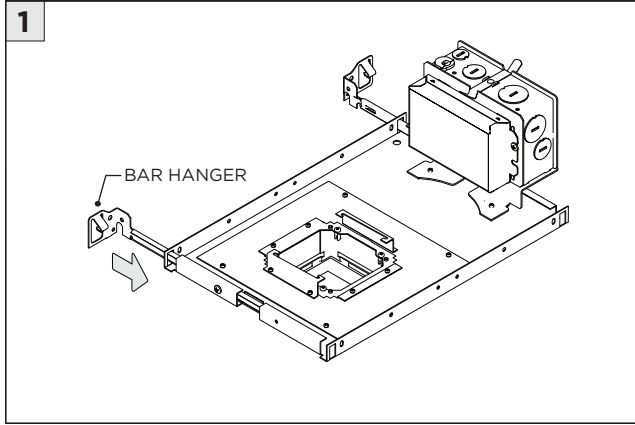
3.3"/4.0" SQUARE FIXED DOWNLIGHT FLANGELESS MILLWORK

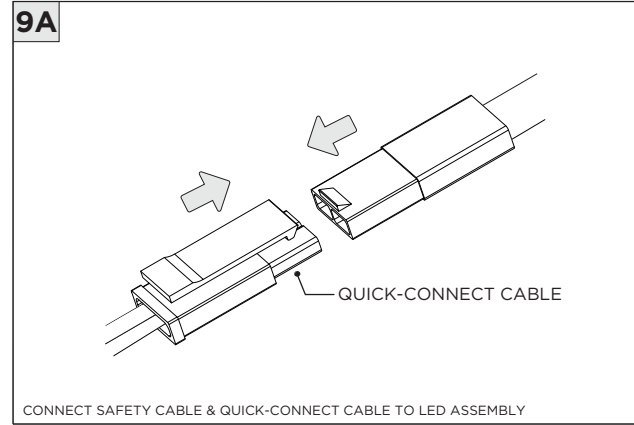
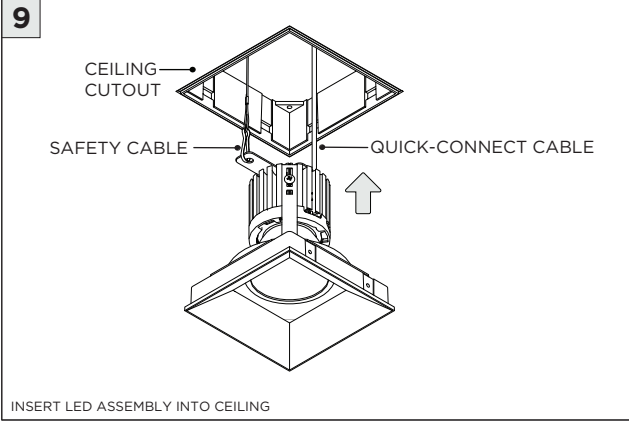


INCLUDED COMPONENTS	
<p>NCF - NEW CONSTRUCTION FRAME (FOR NEW CONSTRUCTION ONLY)</p> <p>LED INSERT NEW CONSTRUCTION FRAME BAR HANGERS</p>	<p>SH - SHALLOW HOUSING (FOR NEW CONSTRUCTION ONLY)</p> <p>LED INSERT SHALLOW HOUSING BAR HANGERS</p>
<p>NC/IC - NEW CONSTRUCTION HOUSING (FOR NEW CONSTRUCTION ONLY)</p> <p>LED INSERT NEW CONSTRUCTION HOUSING BAR HANGERS (OPTIONAL)</p>	

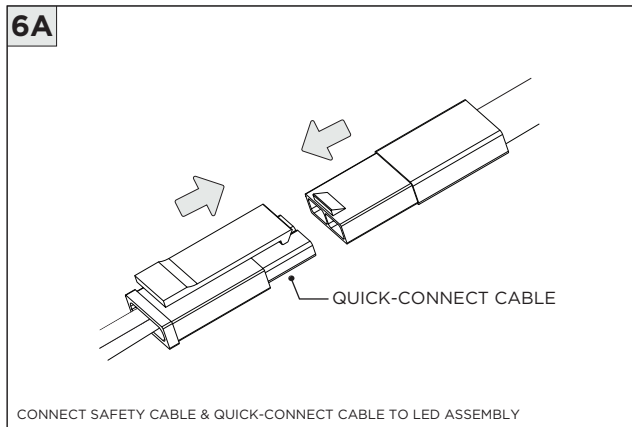
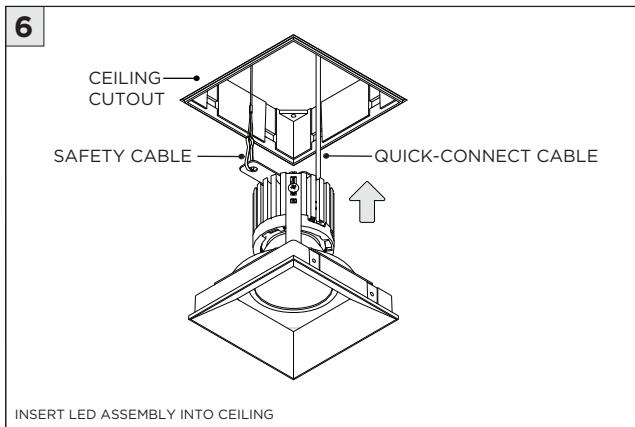
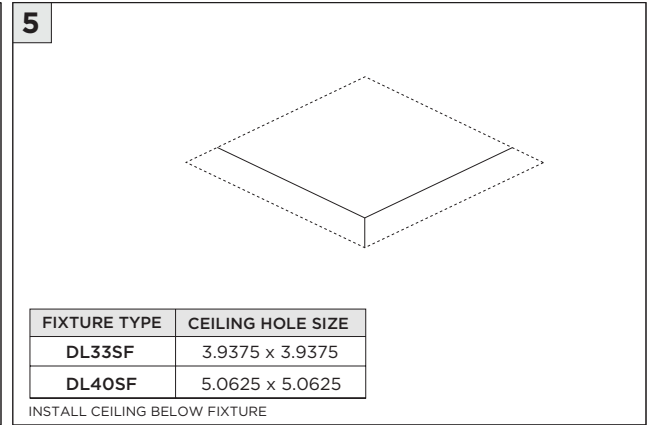
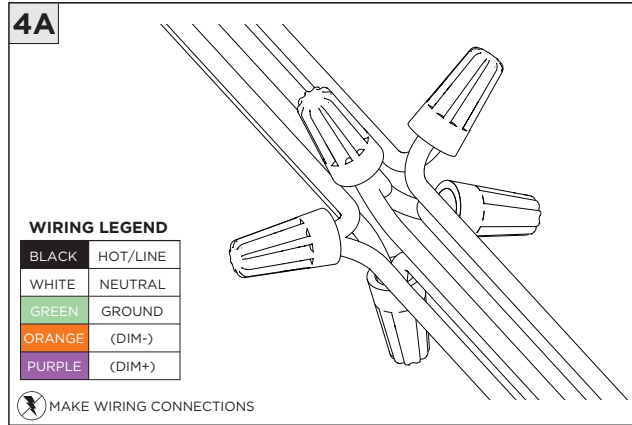
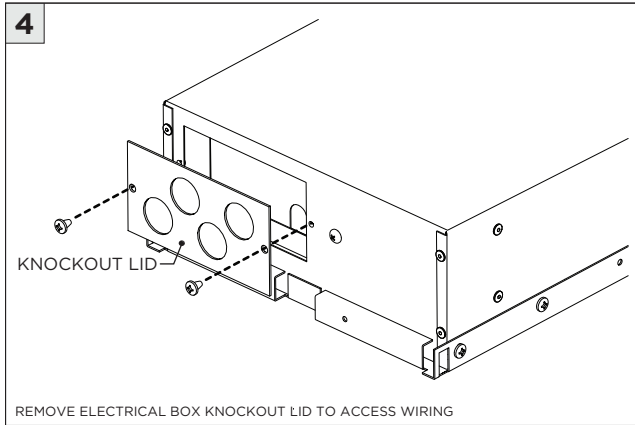
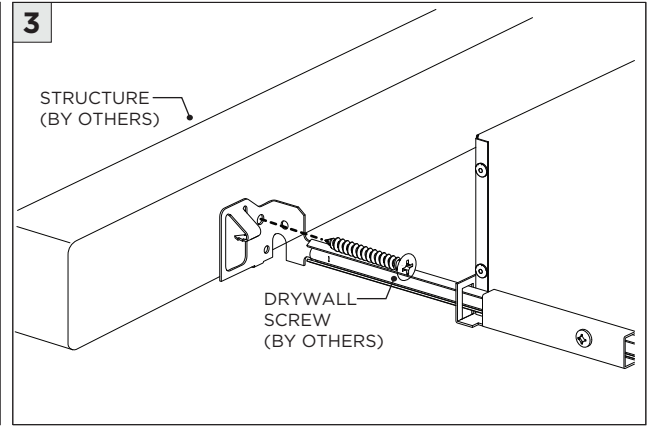
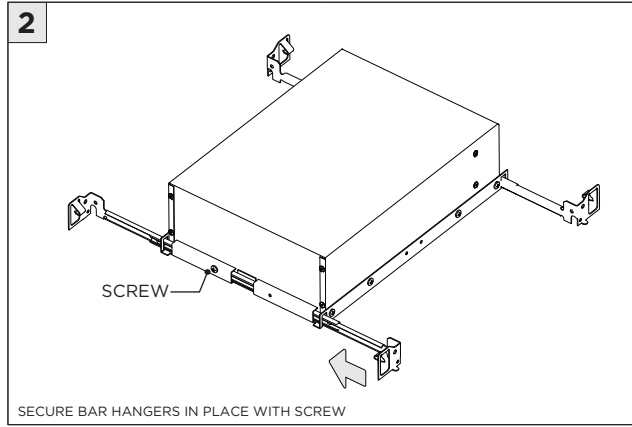
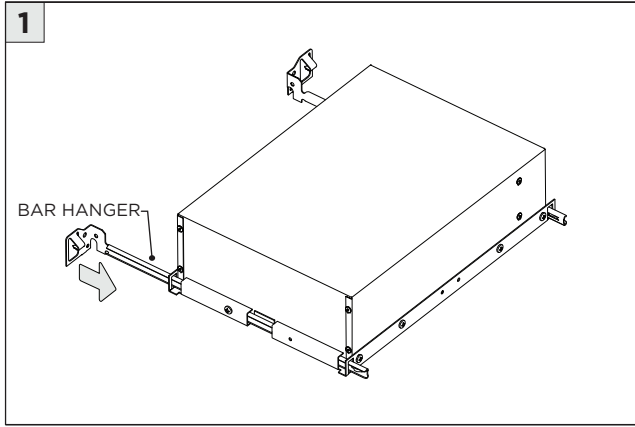
INSTRUCTION KEY	INFORMATION
⚠	ADDITIONAL
i	ATTENTION
⚡	POWER ON
⚡	POWER OFF
<p>INSTALLATION SHOULD ONLY BE PERFORMED BY A CERTIFIED ELECTRICIAN REFER TO LOCAL/NATIONAL CODES FOR PROPER INSTALLATION FAILURE TO FOLLOW INSTALLATION INSTRUCTION MAY VOID THE WARRANTY DO NOT TOUCH LEDS. LEDS MUST BE PROTECTED FROM MECHANICAL STRESS OR DEBRIS TURN OFF POWER DURING INSTALLATION OR SERVICING</p>	

NCF - NEW CONSTRUCTION FRAME (FOR NEW CONSTRUCTION ONLY)



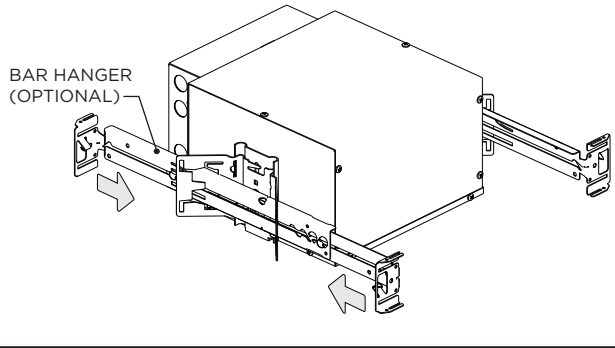


SH - SHALLOW HOUSING (FOR NEW CONSTRUCTION ONLY)

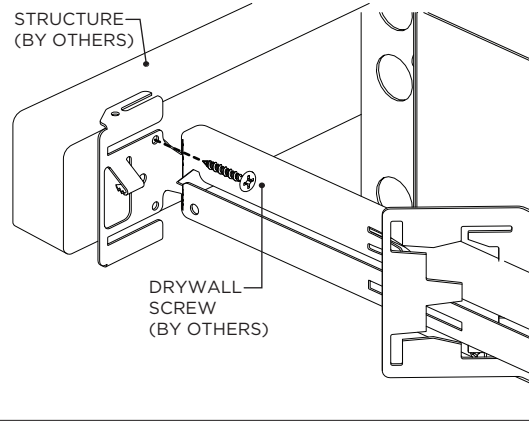


NC/IC - NEW CONSTRUCTION HOUSING (FOR NEW CONSTRUCTION ONLY)

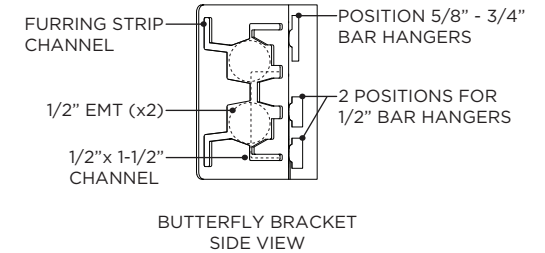
1 BAR HANGER INSTALLATION
(IF SUPPLIED BY 3G)



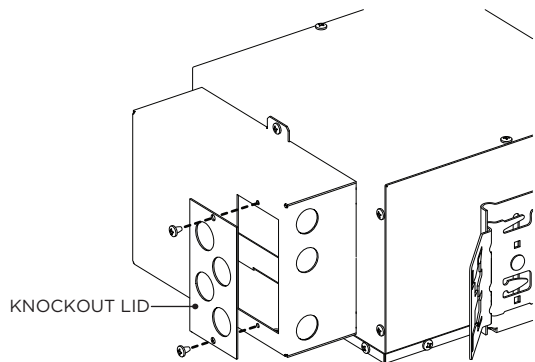
1A



2 OTHER BAR HANGER INSTALLATION
(NOT PROVIDED BY 3G)



3

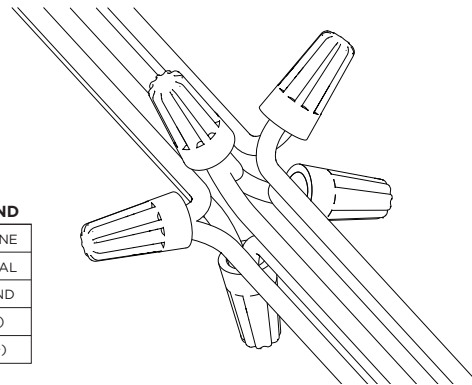


REMOVE ELECTRICAL BOX KNOCKOUT LID TO ACCESS WIRING

3A

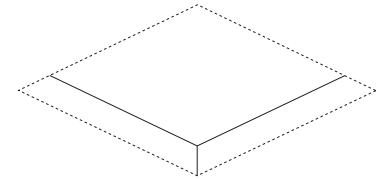
WIRING LEGEND

BLACK	HOT/LINE
WHITE	NEUTRAL
GREEN	GROUND
ORANGE	(DIM-)
PURPLE	(DIM+)



MAKE WIRING CONNECTIONS

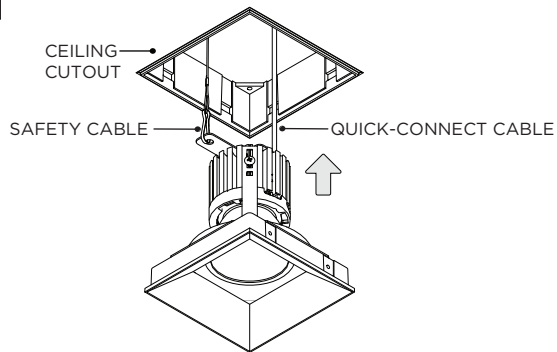
4



FIXTURE TYPE	CEILING HOLE SIZE
DL33SF	3.9375 x 3.9375
DL40SF	5.0625 x 5.0625

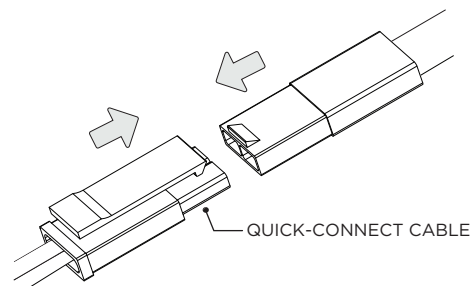
INSTALL CEILING BELOW FIXTURE

5



INSERT LED ASSEMBLY INTO CEILING

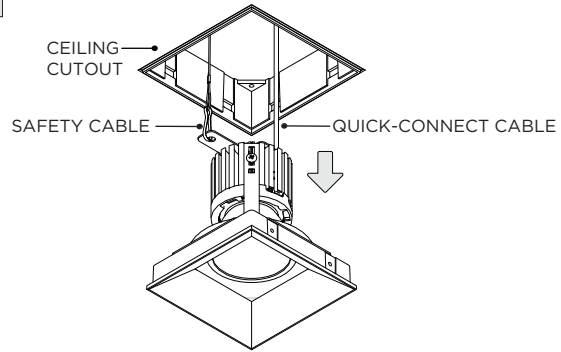
5A



CONNECT SAFETY CABLE & QUICK-CONNECT CABLE TO LED ASSEMBLY

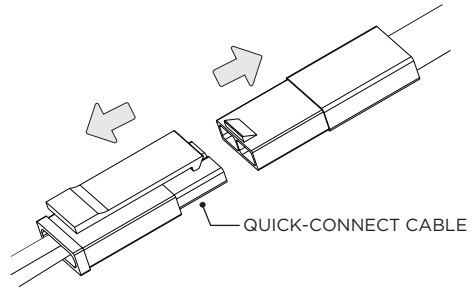
LED SERVICING

1



REMOVE LED ASSEMBLY FROM CEILING

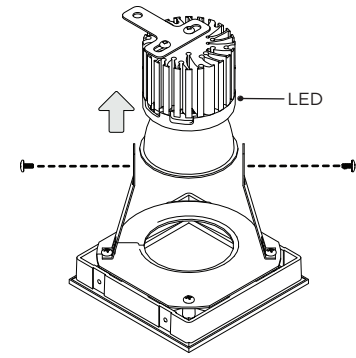
2



DISCONNECT SAFETY CABLE & QUICK-CONNECT CABLE FROM LED ASSEMBLY

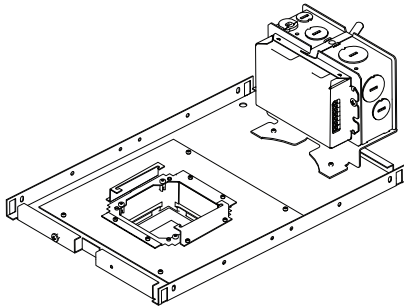
3

FOR DL33/DL45



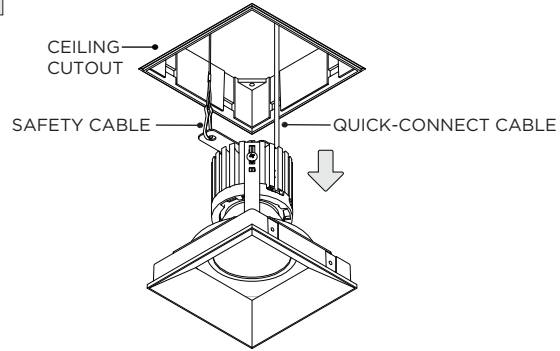
DRIVER SERVICING

1 NCF - NEW CONSTRUCTION FRAME



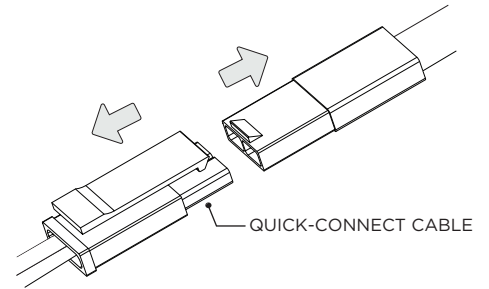
DISCONNECT POWER BEFORE SERVICING

2



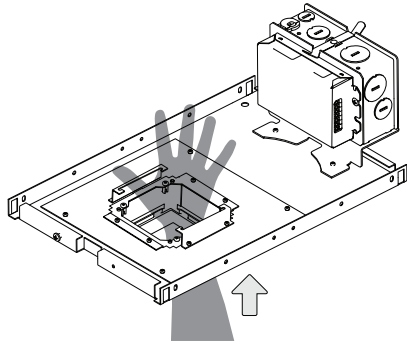
REMOVE LED ASSEMBLY FROM CEILING

2A

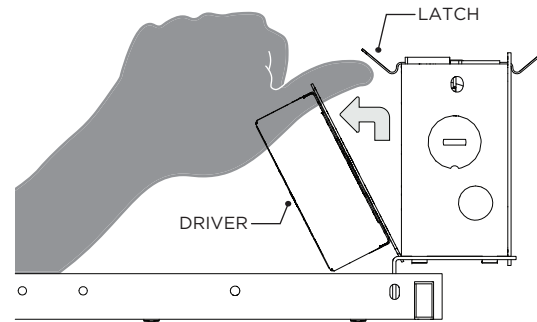


DISCONNECT SAFETY CABLE & QUICK-CONNECT CABLE FROM LED ASSEMBLY

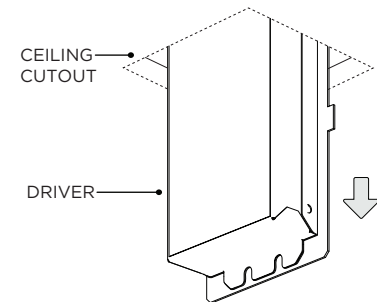
3



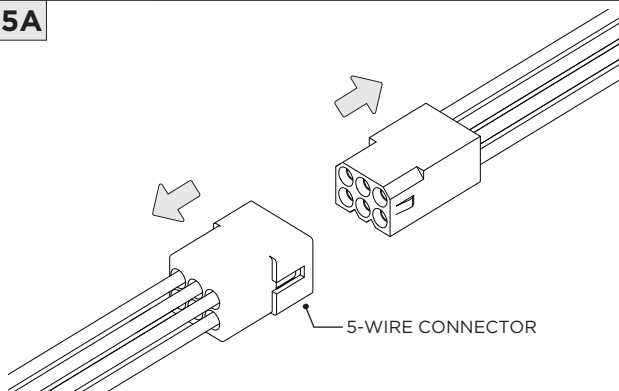
4



5



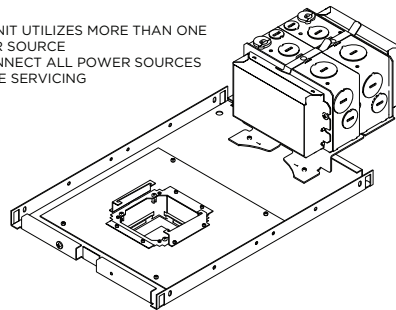
5A



DISCONNECT 5-WIRE CONNECTOR

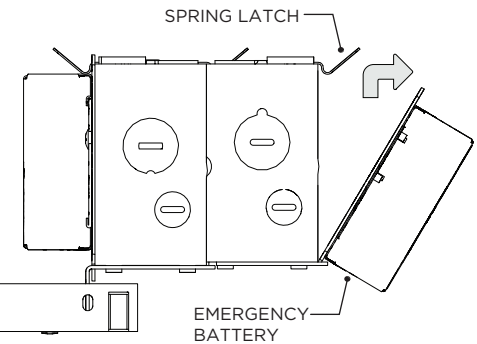
6 NCF - NEW CONSTRUCTION FRAME FOR INTEGRATED BATTERY ONLY

THIS UNIT UTILIZES MORE THAN ONE POWER SOURCE
 DISCONNECT ALL POWER SOURCES BEFORE SERVICING



ACCESS ABOVE CEILING REQUIRED FOR DRIVER SERVICING

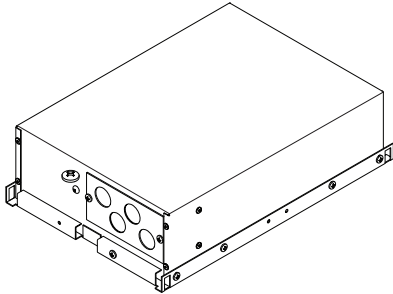
7



REMOVE BATTERY BOX COVER TO ACCESS WIRING

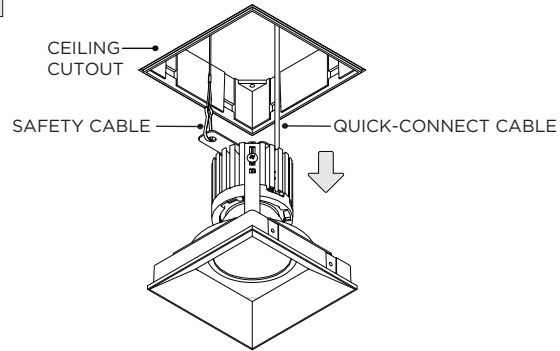
DRIVER SERVICING

1 SH - SHALLOW HOUSING



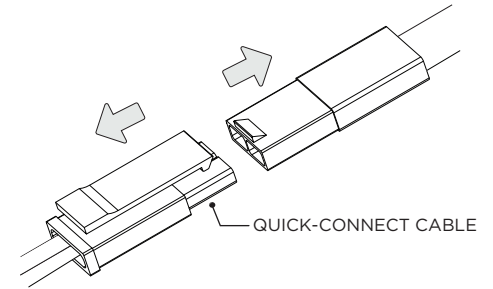
 DISCONNECT POWER BEFORE SERVICING

2



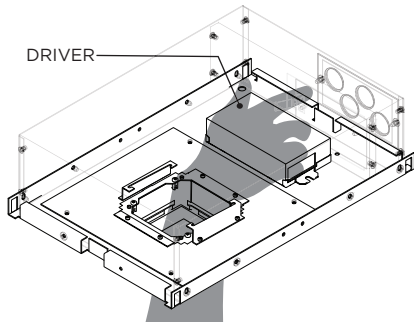
REMOVE LED ASSEMBLY FROM CEILING

2A



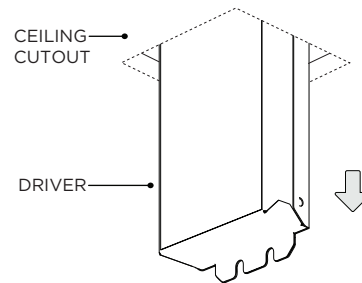
DISCONNECT SAFETY CABLE & QUICK-CONNECT CABLE FROM LED ASSEMBLY

3

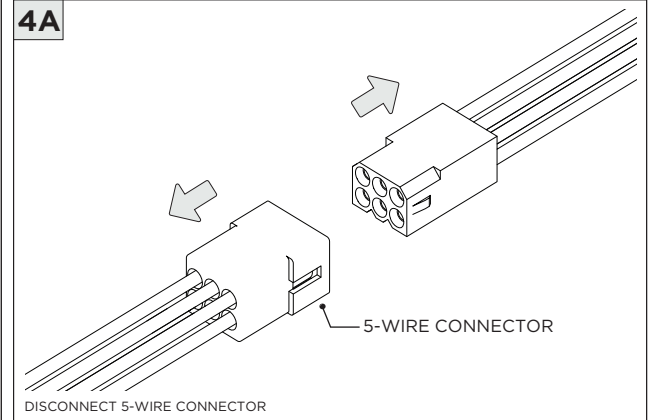


REMOVE DRIVER - SECURED WITH HOOK-AND-LOOP FASTENER

4



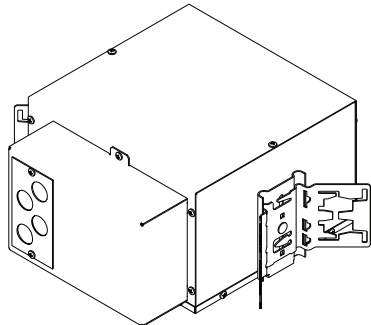
4A



DISCONNECT 5-WIRE CONNECTOR

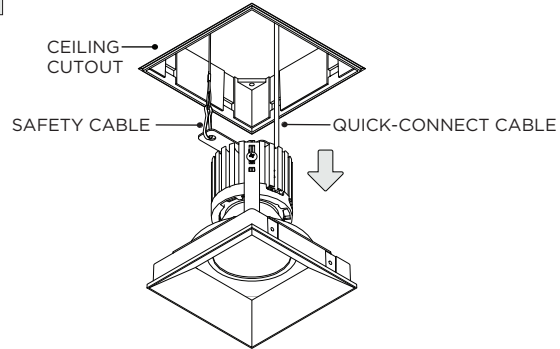
DRIVER SERVICING

1 NC - NEW CONSTRUCTION HOUSING



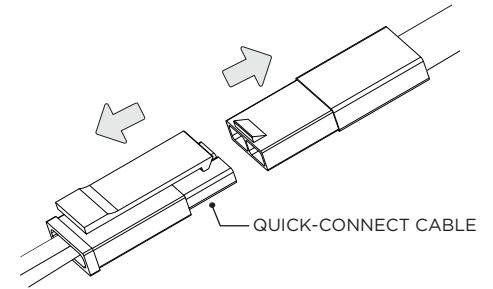
DISCONNECT POWER BEFORE SERVICING

2



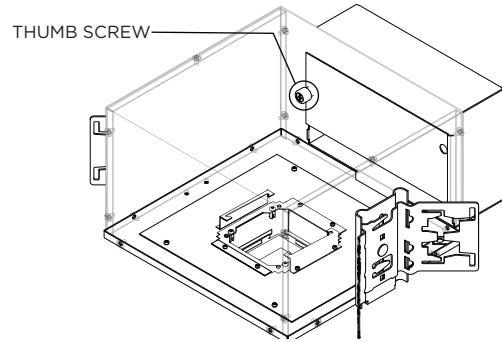
REMOVE LED ASSEMBLY FROM CEILING

2A

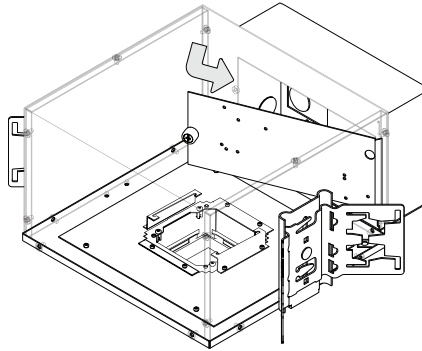


DISCONNECT SAFETY CABLE & QUICK-CONNECT CABLE FROM LED ASSEMBLY

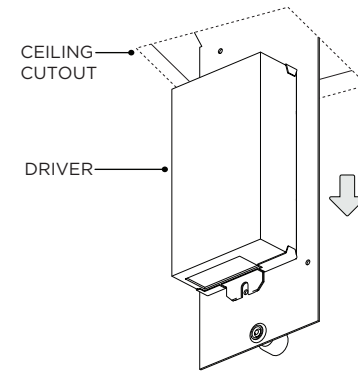
3



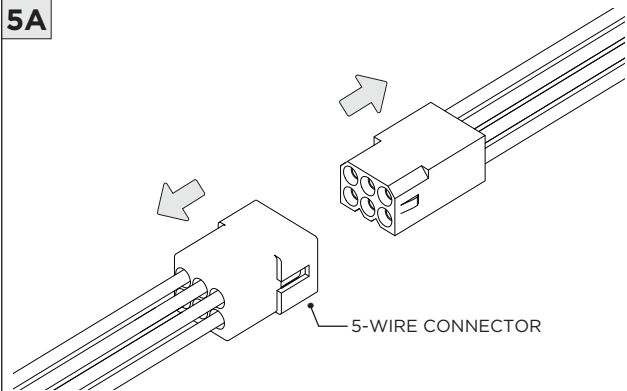
4



5



5A



DISCONNECT 5-WIRE CONNECTOR