

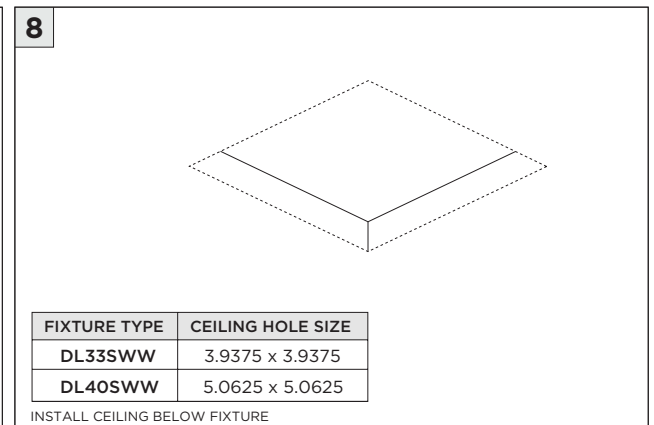
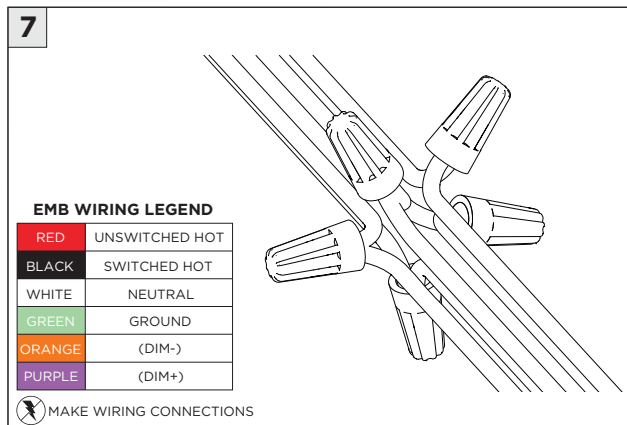
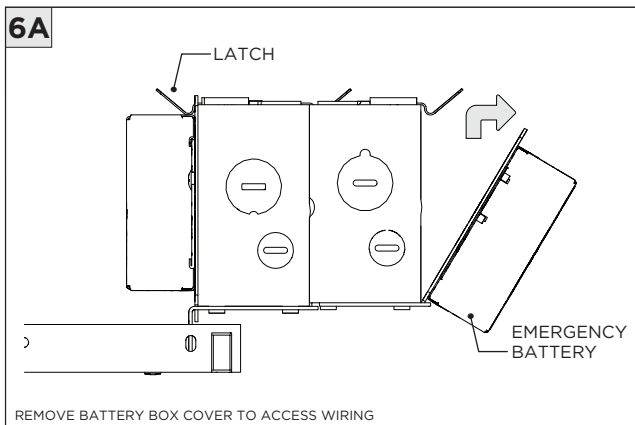
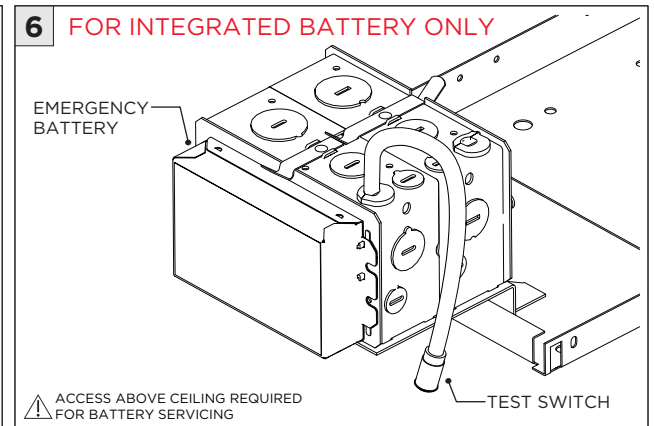
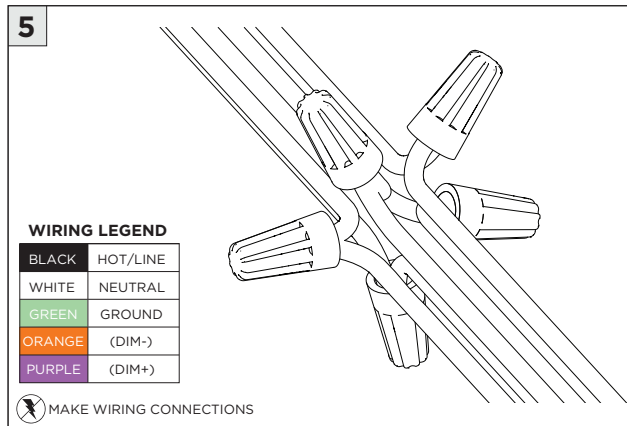
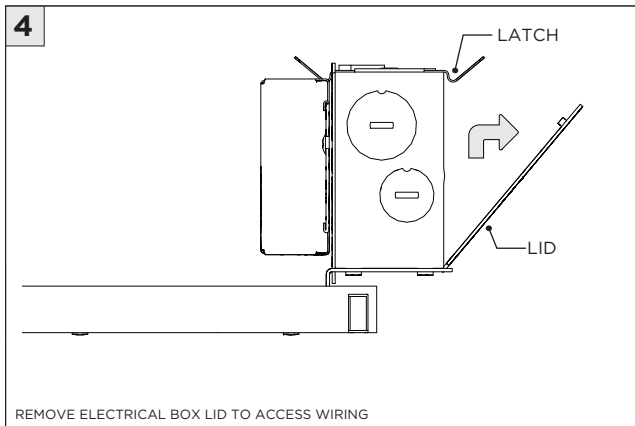
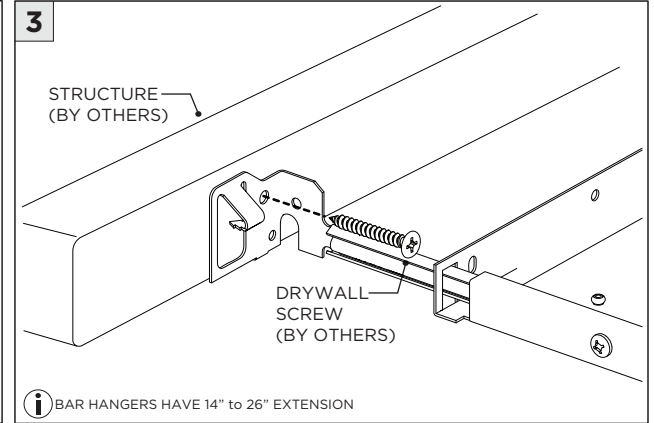
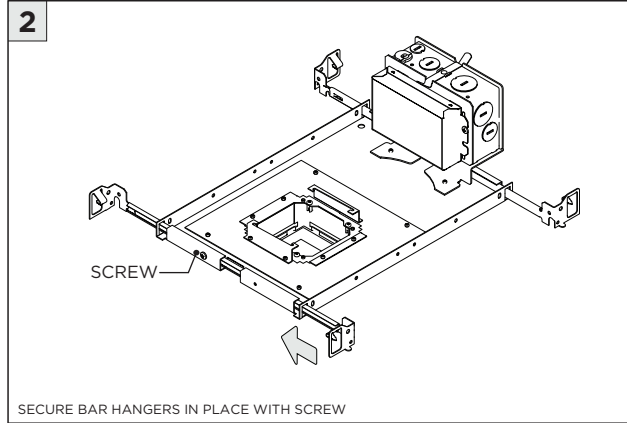
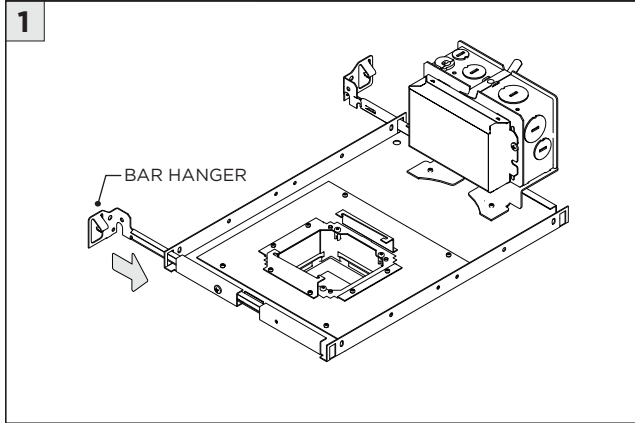
## 3.3" SQUARE FIXED WALLWASH DOWNLIGHT FLANGELESS MILLWORK

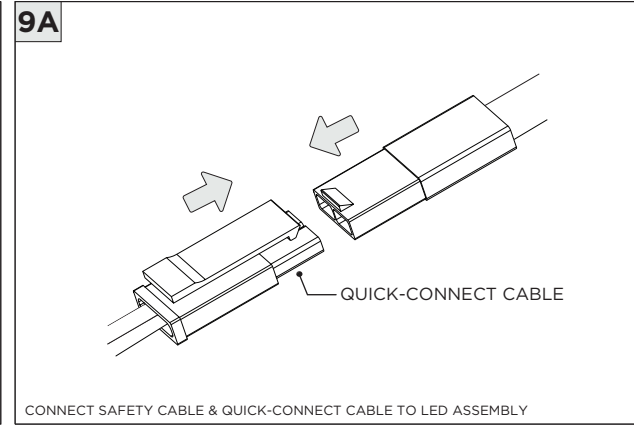
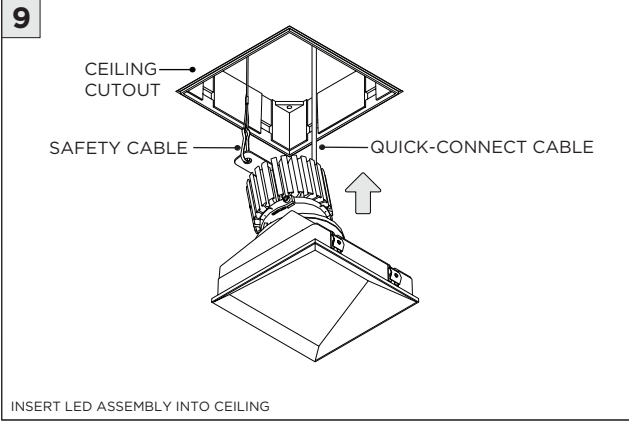


INCLUDED COMPONENTS	
<p><b>NCF - NEW CONSTRUCTION FRAME (FOR NEW CONSTRUCTION ONLY)</b></p> <p>LED INSERT      NEW CONSTRUCTION FRAME      BAR HANGERS</p>	<p><b>SH - SHALLOW HOUSING (FOR NEW CONSTRUCTION ONLY)</b></p> <p>LED INSERT      SHALLOW HOUSING      BAR HANGERS</p>
<p><b>NC/IC - NEW CONSTRUCTION HOUSING (FOR NEW CONSTRUCTION ONLY)</b></p> <p>LED INSERT      NEW CONSTRUCTION HOUSING      BAR HANGERS (OPTIONAL)</p>	

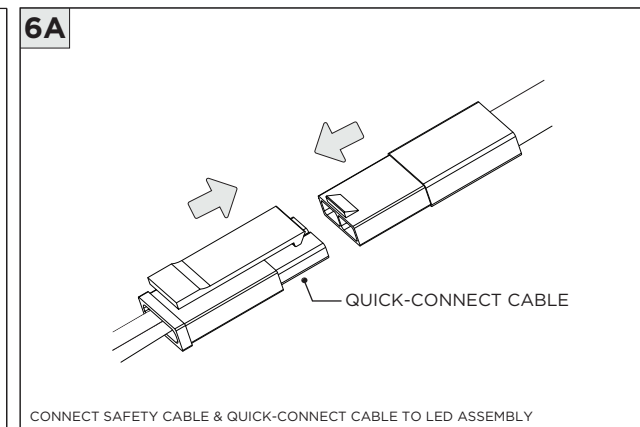
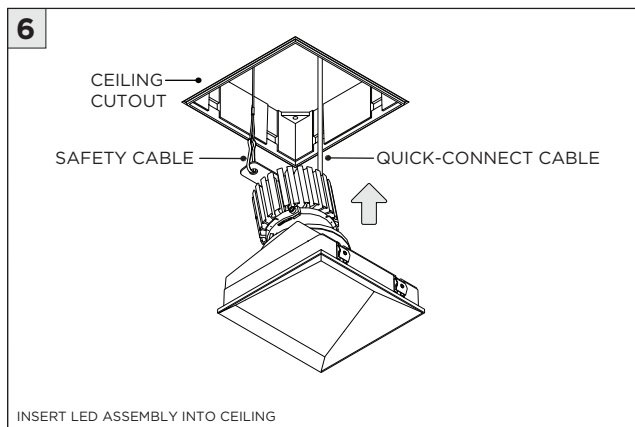
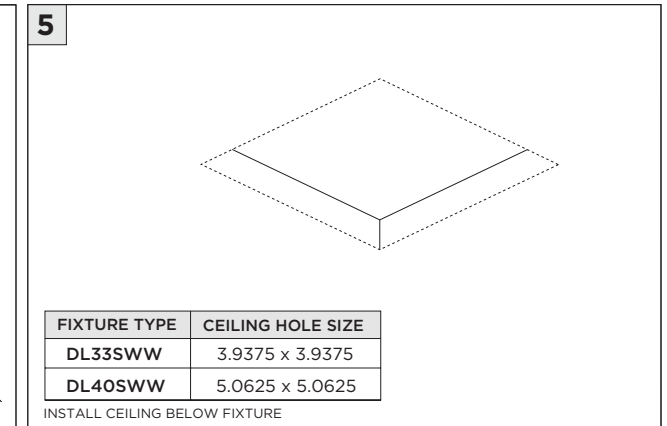
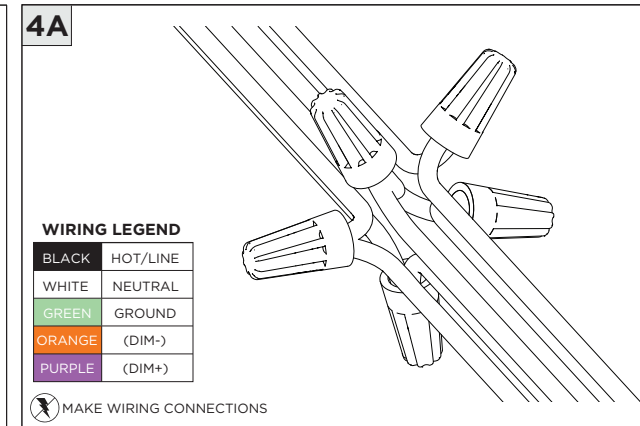
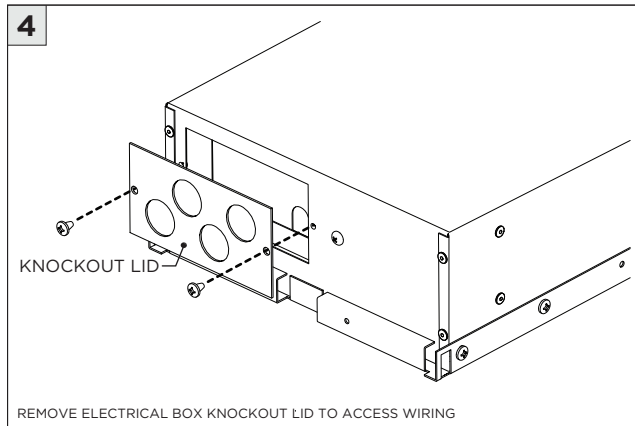
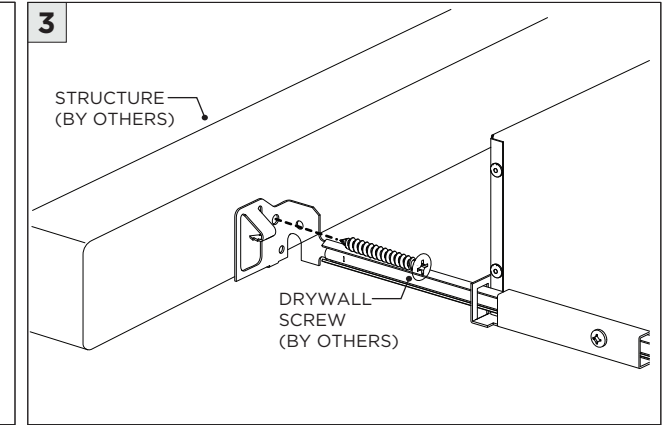
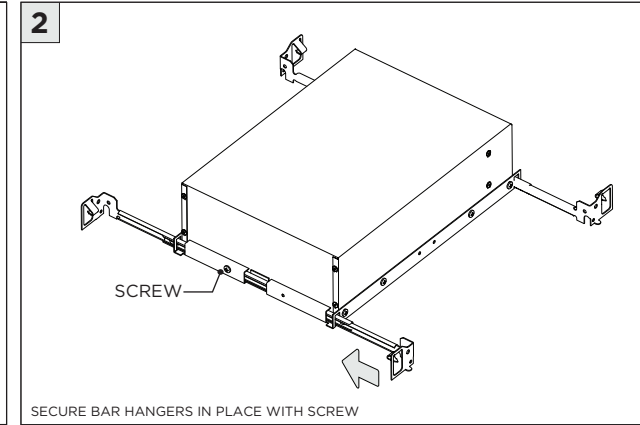
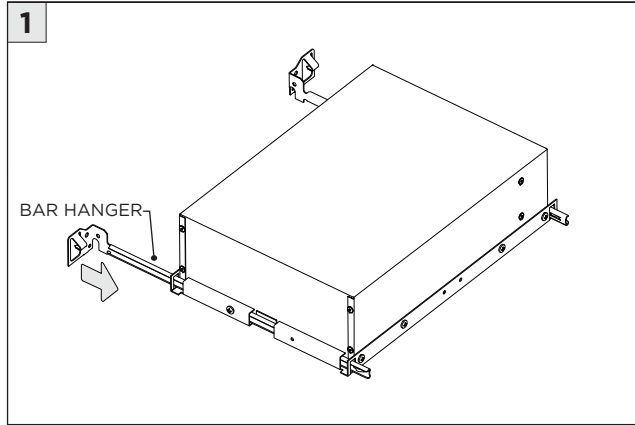
INSTRUCTION KEY	INFORMATION	
⚠	ADDITIONAL	INSTALLATION SHOULD ONLY BE PERFORMED BY A CERTIFIED ELECTRICIAN
i	ATTENTION	REFER TO LOCAL/NATIONAL CODES FOR PROPER INSTALLATION
⚡	POWER ON	FAILURE TO FOLLOW INSTALLATION INSTRUCTION MAY VOID THE WARRANTY
⚡	POWER OFF	DO NOT TOUCH LEDS. LEDS MUST BE PROTECTED FROM MECHANICAL STRESS OR DEBRIS
		TURN OFF POWER DURING INSTALLATION OR SERVICING

**NCF - NEW CONSTRUCTION FRAME (FOR NEW CONSTRUCTION ONLY)**



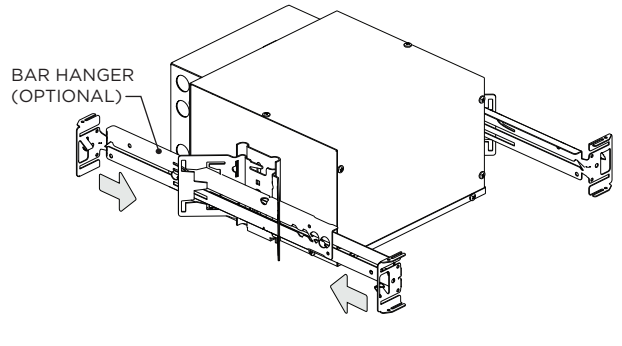


**SH - SHALLOW HOUSING (FOR NEW CONSTRUCTION ONLY)**

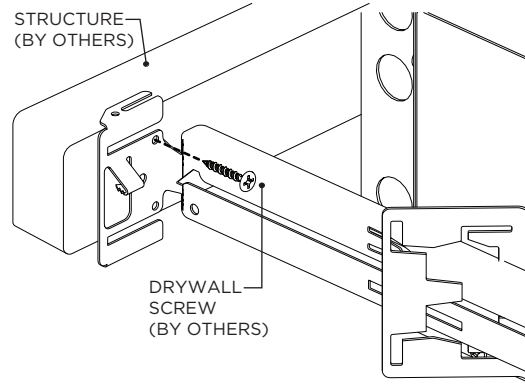


**NC/IC - NEW CONSTRUCTION HOUSING (FOR NEW CONSTRUCTION ONLY)**

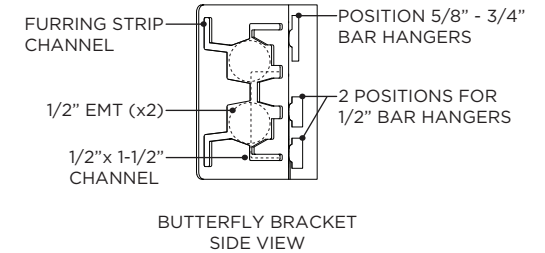
**1 BAR HANGER INSTALLATION**  
(IF SUPPLIED BY 3G)



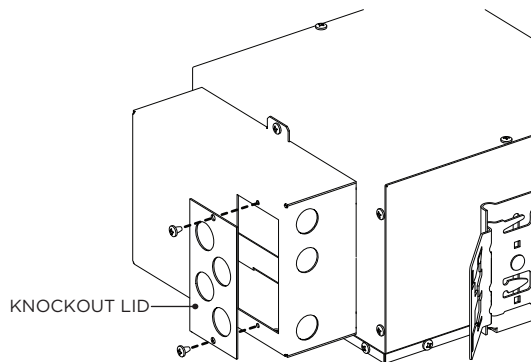
**1A**



**2 OTHER BAR HANGER INSTALLATION**  
(NOT PROVIDED BY 3G)



**3**

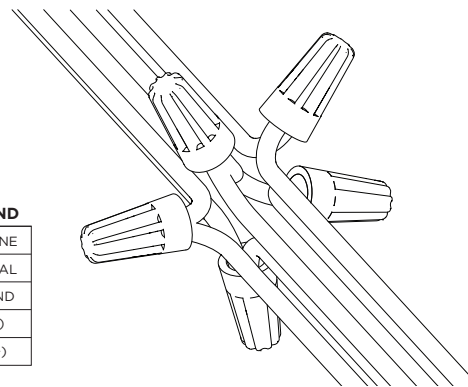


REMOVE ELECTRICAL BOX KNOCKOUT LID TO ACCESS WIRING

**3A**

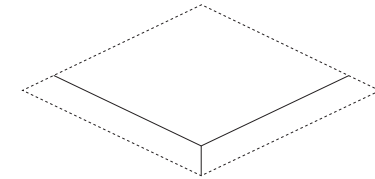
**WIRING LEGEND**

BLACK	HOT/LINE
WHITE	NEUTRAL
GREEN	GROUND
ORANGE	(DIM-)
PURPLE	(DIM+)



MAKE WIRING CONNECTIONS

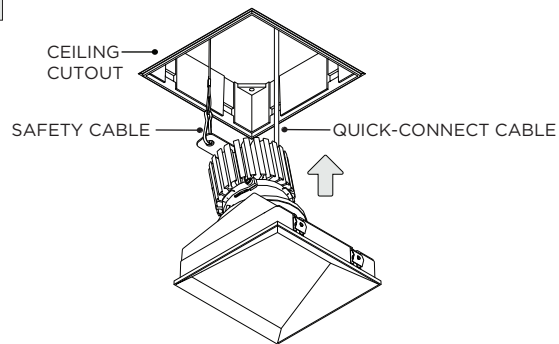
**4**



FIXTURE TYPE	CEILING HOLE SIZE
DL33SWW	3.9375 x 3.9375
DL40SWW	5.0625 x 5.0625

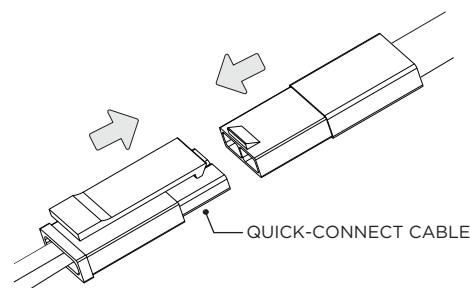
INSTALL CEILING BELOW FIXTURE

**5**



INSERT LED ASSEMBLY INTO CEILING

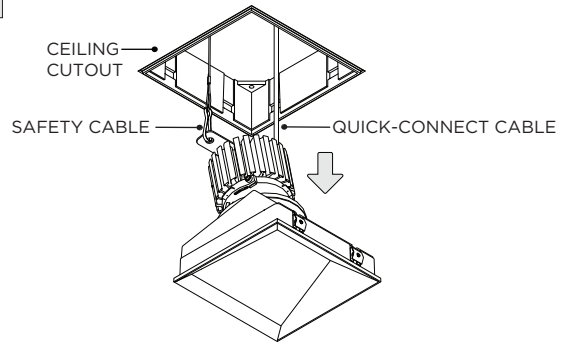
**5A**



CONNECT SAFETY CABLE & QUICK-CONNECT CABLE TO LED ASSEMBLY

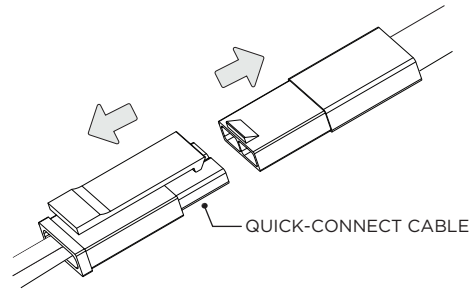
**LED SERVICING**

**1**



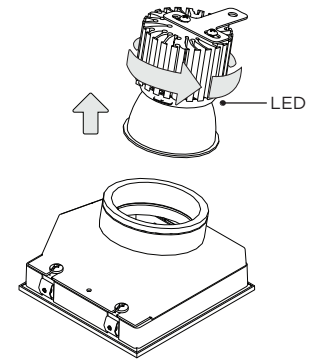
REMOVE LED ASSEMBLY FROM CEILING

**2**



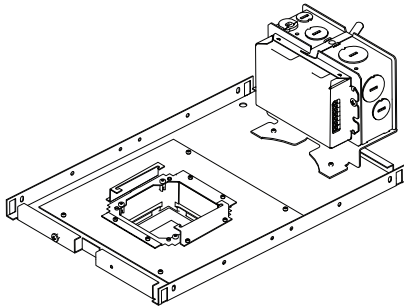
DISCONNECT SAFETY CABLE & QUICK-CONNECT CABLE FROM LED ASSEMBLY

**3**



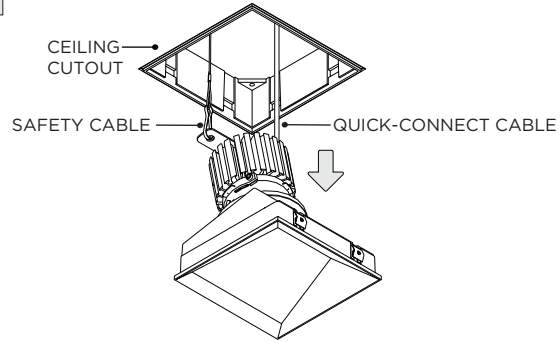
**DRIVER SERVICING**

**1 NCF - NEW CONSTRUCTION FRAME**



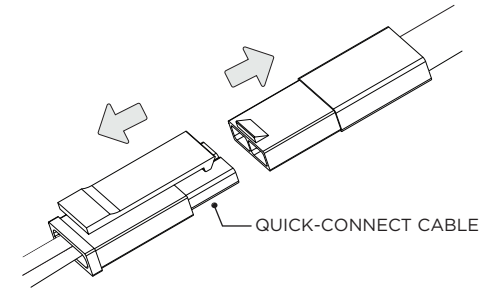
DISCONNECT POWER BEFORE SERVICING

**2**



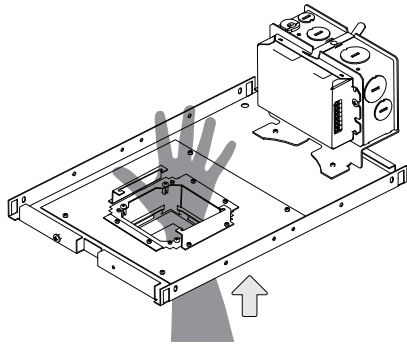
REMOVE LED ASSEMBLY FROM CEILING

**2A**

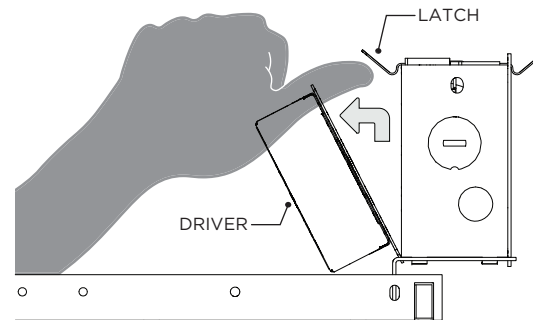


DISCONNECT SAFETY CABLE & QUICK-CONNECT CABLE FROM LED ASSEMBLY

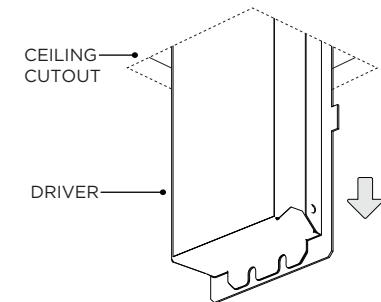
**3**



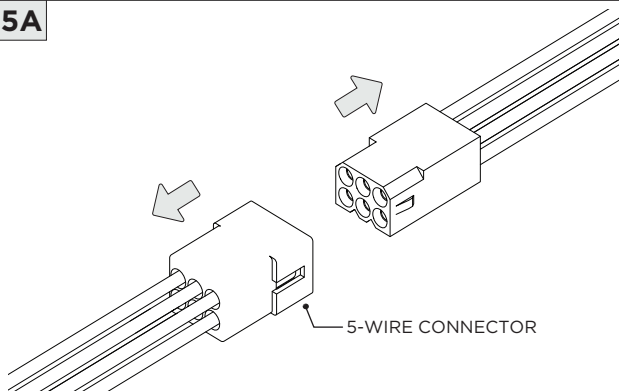
**4**



**5**



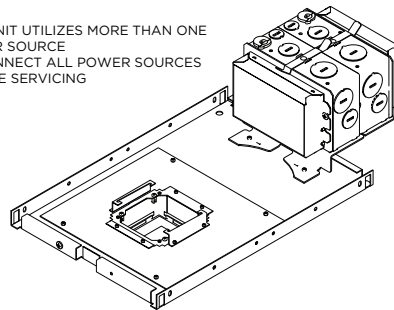
**5A**



DISCONNECT 5-WIRE CONNECTOR

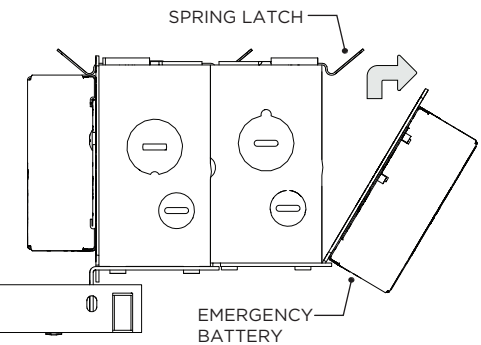
**6 NCF - NEW CONSTRUCTION FRAME FOR INTEGRATED BATTERY ONLY**

THIS UNIT UTILIZES MORE THAN ONE POWER SOURCE  
 DISCONNECT ALL POWER SOURCES BEFORE SERVICING



ACCESS ABOVE CEILING REQUIRED FOR DRIVER SERVICING

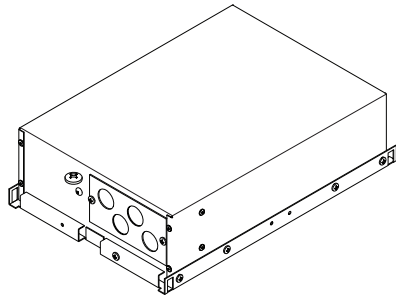
**7**



REMOVE BATTERY BOX COVER TO ACCESS WIRING

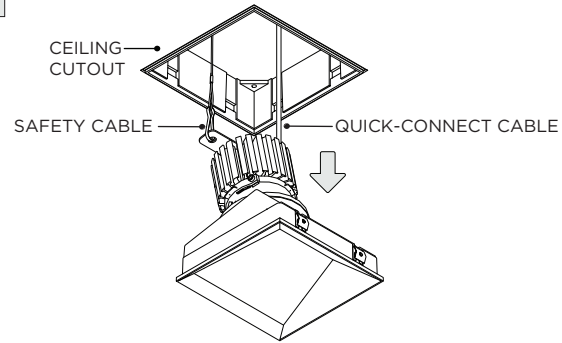
**DRIVER SERVICING**

**1 SH - SHALLOW HOUSING**



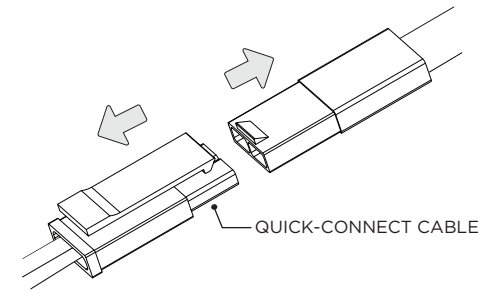
⚡ DISCONNECT POWER BEFORE SERVICING

**2**



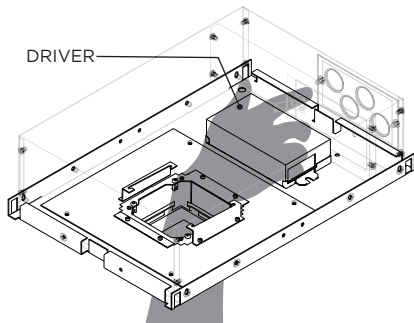
REMOVE LED ASSEMBLY FROM CEILING

**2A**



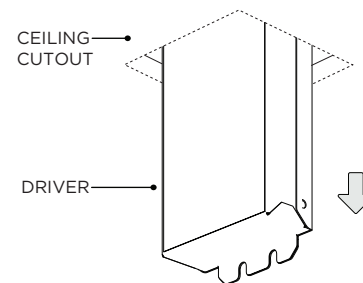
DISCONNECT SAFETY CABLE & QUICK-CONNECT CABLE FROM LED ASSEMBLY

**3**

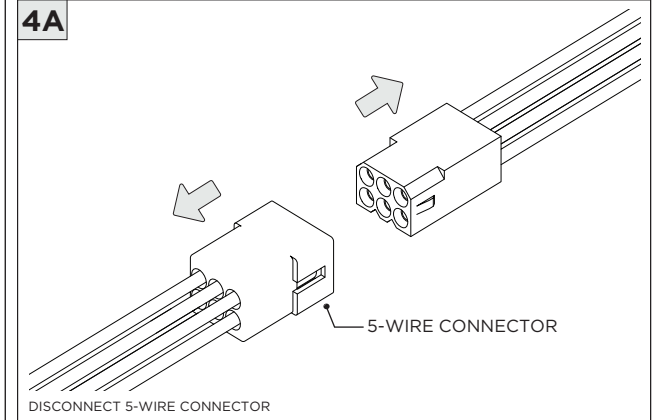


REMOVE DRIVER - SECURED WITH HOOK-AND-LOOP FASTENER

**4**



**4A**

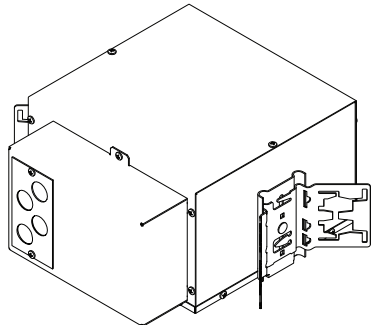


DISCONNECT 5-WIRE CONNECTOR



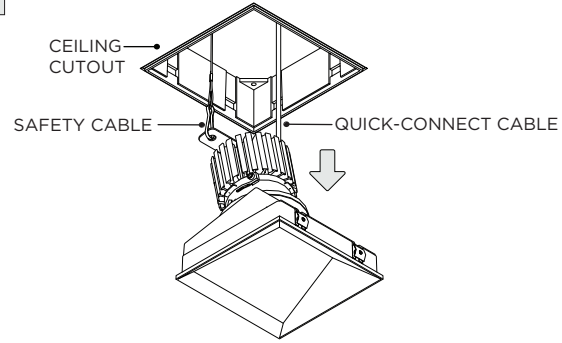
**DRIVER SERVICING**

**1 NC - NEW CONSTRUCTION HOUSING**



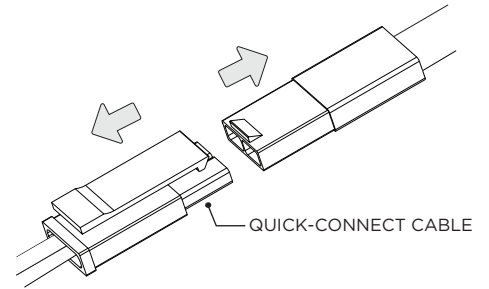
DISCONNECT POWER BEFORE SERVICING

**2**



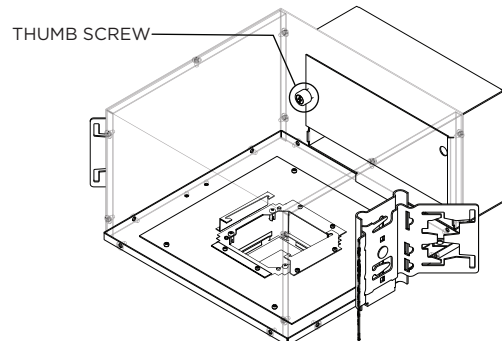
REMOVE LED ASSEMBLY FROM CEILING

**2A**

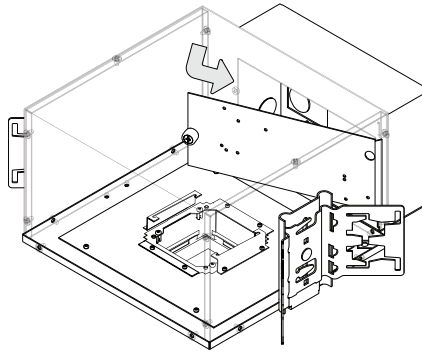


DISCONNECT SAFETY CABLE & QUICK-CONNECT CABLE FROM LED ASSEMBLY

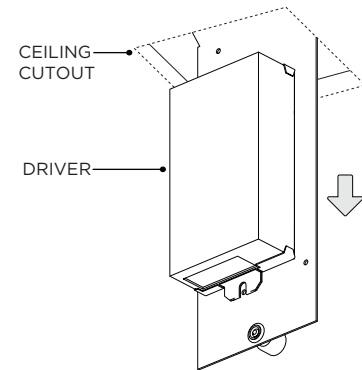
**3**



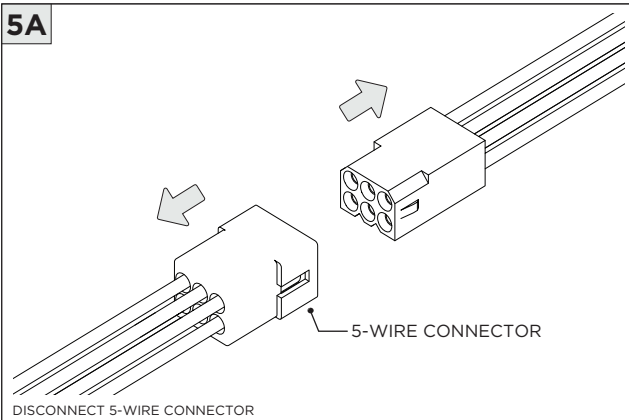
**4**



**5**



**5A**



DISCONNECT 5-WIRE CONNECTOR